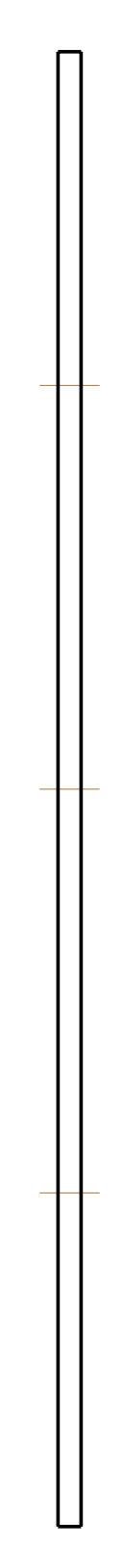
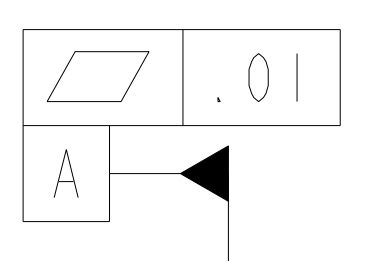
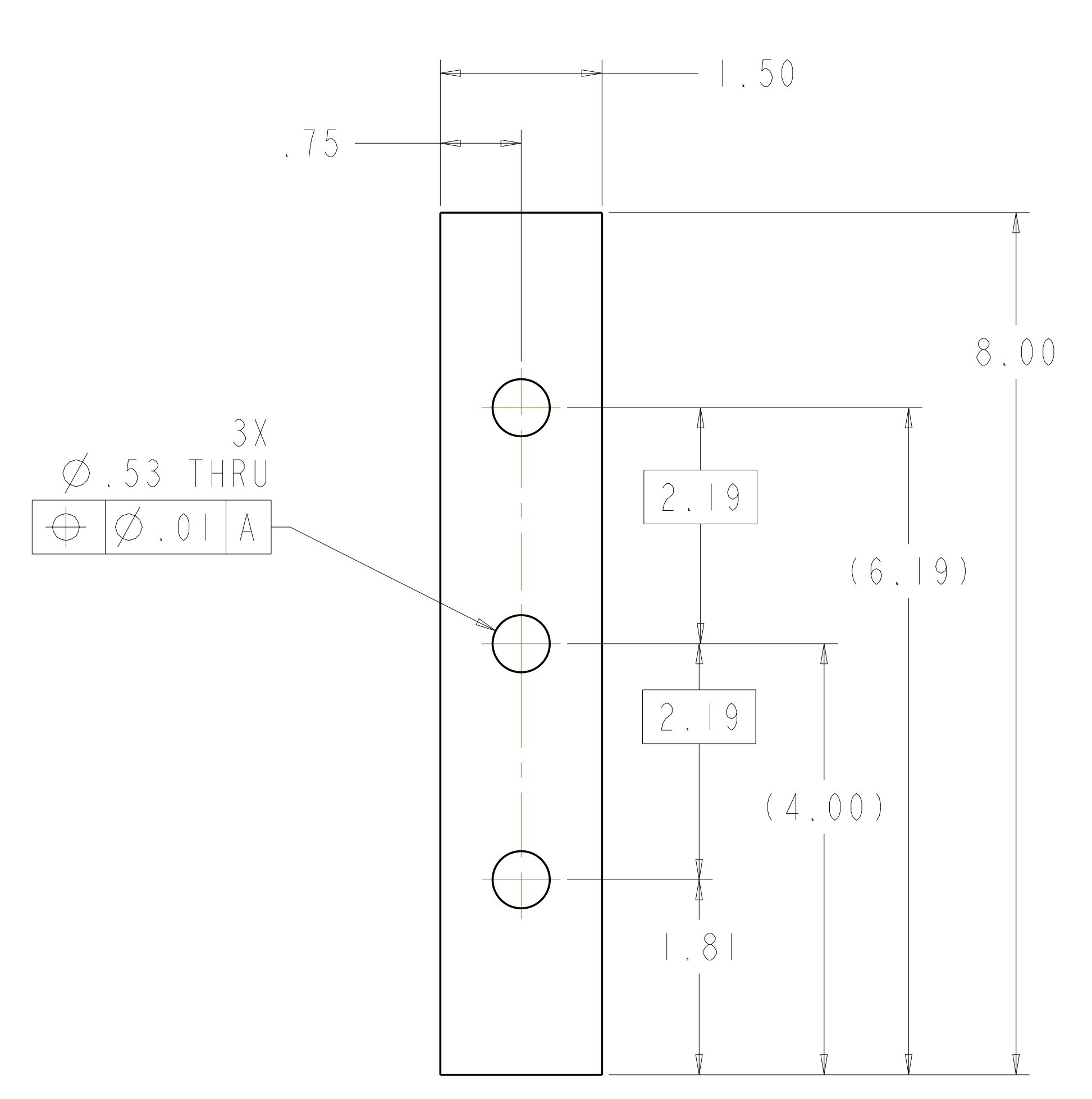
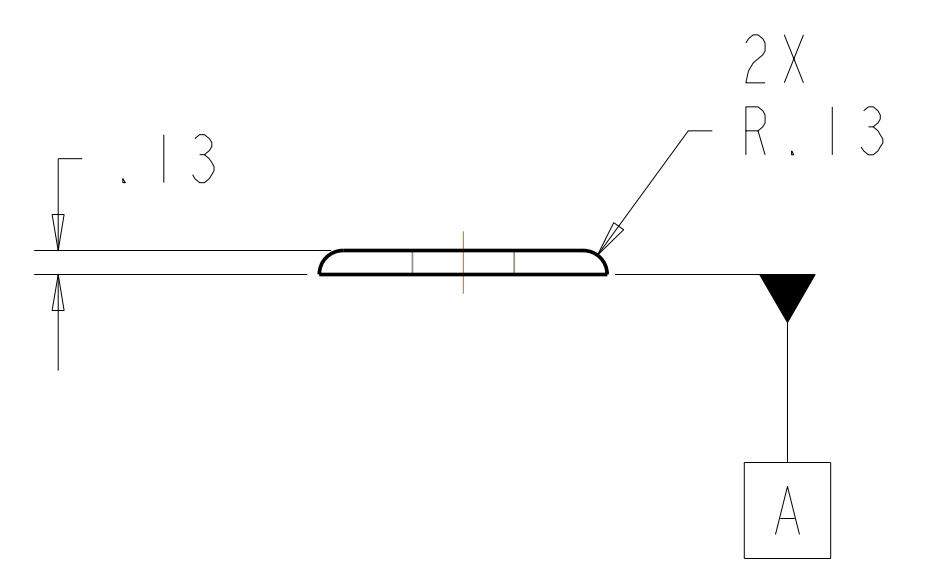
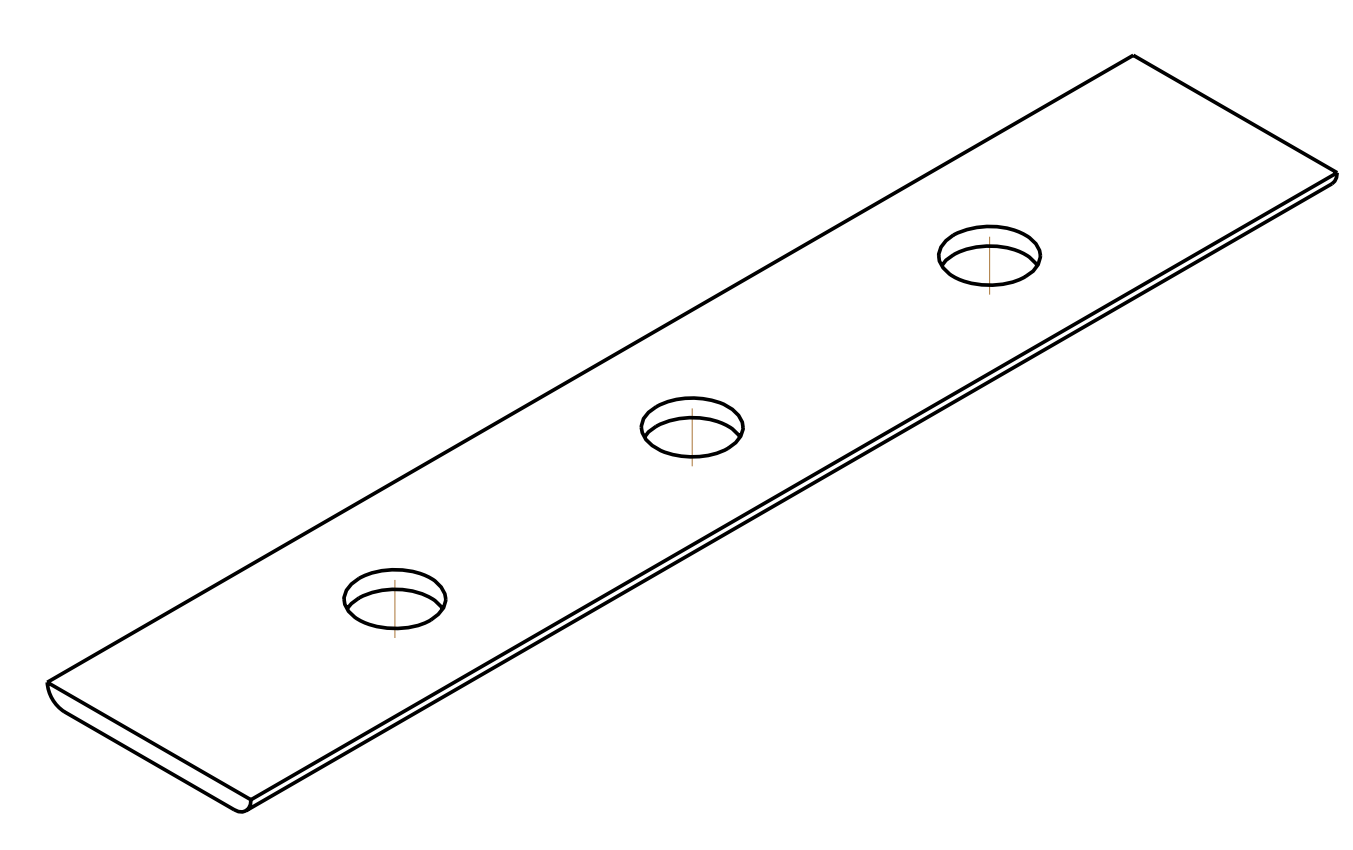


- NOTES:
1. DRAWING PREPARED IN ACCORDANCE WITH ASME Y14.100.
 2. INTERPRET DIMENSIONS AND TOLERANCES PER ANSI Y14.5M
 3. DIMENSIONS ARE IN INCHES.
 4. DIMENSIONS APPLY AT ROOM TEMPERATURE. OPERATING TEMP 80 K.
 5. GEOMETRY IS DEFINED IN PRO ENGINEER CAD MODELS/FILES SEI42C-049.PRT.
 6. DRAWING AND MODELS COMBINED DEFINE FINISHED MACHINED PART.
 7. REMOVE ALL BURRS AND SHARP EDGES.



1
 SCALE 1 : 1



ISOMETRIC VIEW
 SCALE 1 : 1

**RELEASED FOR
 FABRICATION / INSTALLATION**
 PPPL Drafting:

next assy	AR	-1	JUMPERS INS SHEET	NEMA GRADE G-1ICR	I
SEI42C-050	CAGE CODE	PART OR IDENTIFYING NO	NOMENCLATURE OR DESCRIPTION	MATERIAL / SPECIFICATION	FIND NO
		NEXT ASSEMBLY	PARTS LIST		

NO REPRESENTATION OR WARRANTY, EXPRESSED OR IMPLIED, IS MADE AS TO THE ACCURACY, COMPLETENESS OR USEFULNESS OF THE INFORMATION OR STATEMENTS CONTAINED IN THESE DRAWINGS, OR THAT THE USE OR DISCLOSURE OF ANY INFORMATION, APPARATUS, METHOD OR PROCESS DISCLOSED IN THESE DRAWINGS MAY NOT INFRINGE PRIVATE RIGHTS OF OTHERS. NO LIABILITY IS ASSUMED WITH RESPECT TO THE USE OF, OR FOR DAMAGES RESULTING FROM THE USE OF, ANY INFORMATION, APPARATUS, METHOD OR PROCESS DISCLOSED IN THESE DRAWINGS. DRAWINGS MADE AVAILABLE FOR INFORMATION TO BIDDER ARE NOT TO BE USED FOR OTHER PURPOSES, AND ARE TO BE RETURNED UPON REQUEST OF THE FORWARDING CONTRACTOR.

P THIS DRAWING PRODUCED ON PRO-ENGINEER

REV	DESCRIPTION	BY	DATE	CHK	DEPT	DATE	PE	REQ	DATE	ORNL	DOE	DATE
0	INITIAL RELEASE	GLL	8/05	MJC			DEW					
	REVISION OR ISSUE PURPOSE											

SCALE NOTED		DES: P FOGARTY	05/05
TOLERANCES UNLESS OTHERWISE SPECIFIED		DRW: G LOVETT	05/05
FRACTIONS		CHK: M COLE	05/05
XX DECIMALS ±.01		SECT:	
XXX DECIMALS ±.005		DEPT:	
ANGLES ±0°15'		PE: D WILLIAMSON	09/05
BREAK SHARP EDGES .06 MAX		CR:	
FINISH .125 UNLESS OTHERWISE SPECIFIED		PJ:	
		REO:	
		PPPL DRFT J SIEGEL	09/05

UT-BATTELLE		Oak Ridge National Laboratory managed for the DEPARTMENT OF ENERGY under U.S. GOVERNMENT contract DE-AC05-00OR22725 UT-BATTELLE, LLC, Oak Ridge, Tennessee			
NATIONAL COMPACT STELLARATOR EXPERIMENT					
LEADS TERMINAL ASM JUMPERS INS SHEET DETAIL					
VERSION NO.	PLANT	BLDG	FL	SHT OF	TYPE CLASS
8	X-10	5700	3	1	U
RELEASE LEVEL	Fabrication				REV 0
SEI42C-049					