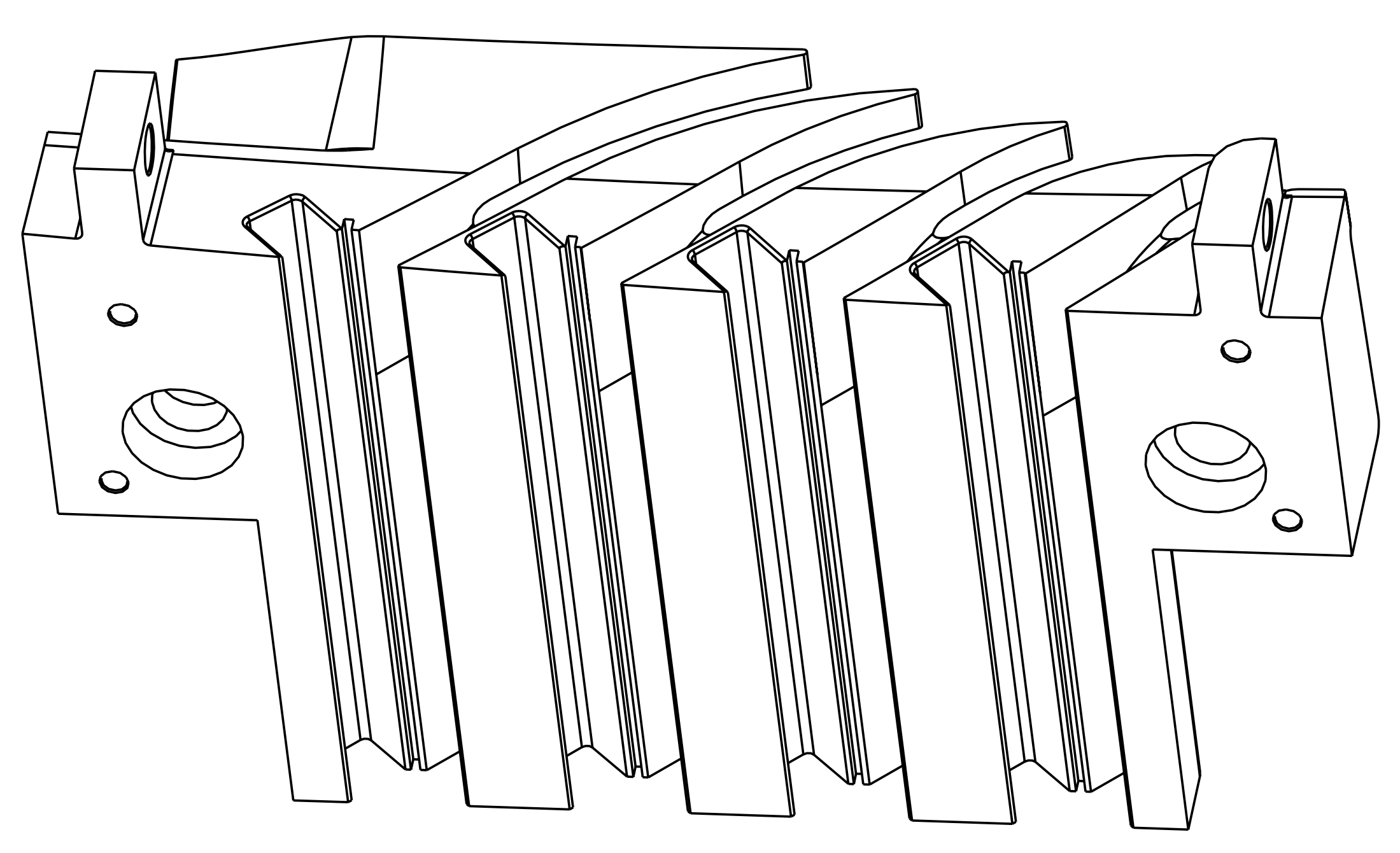
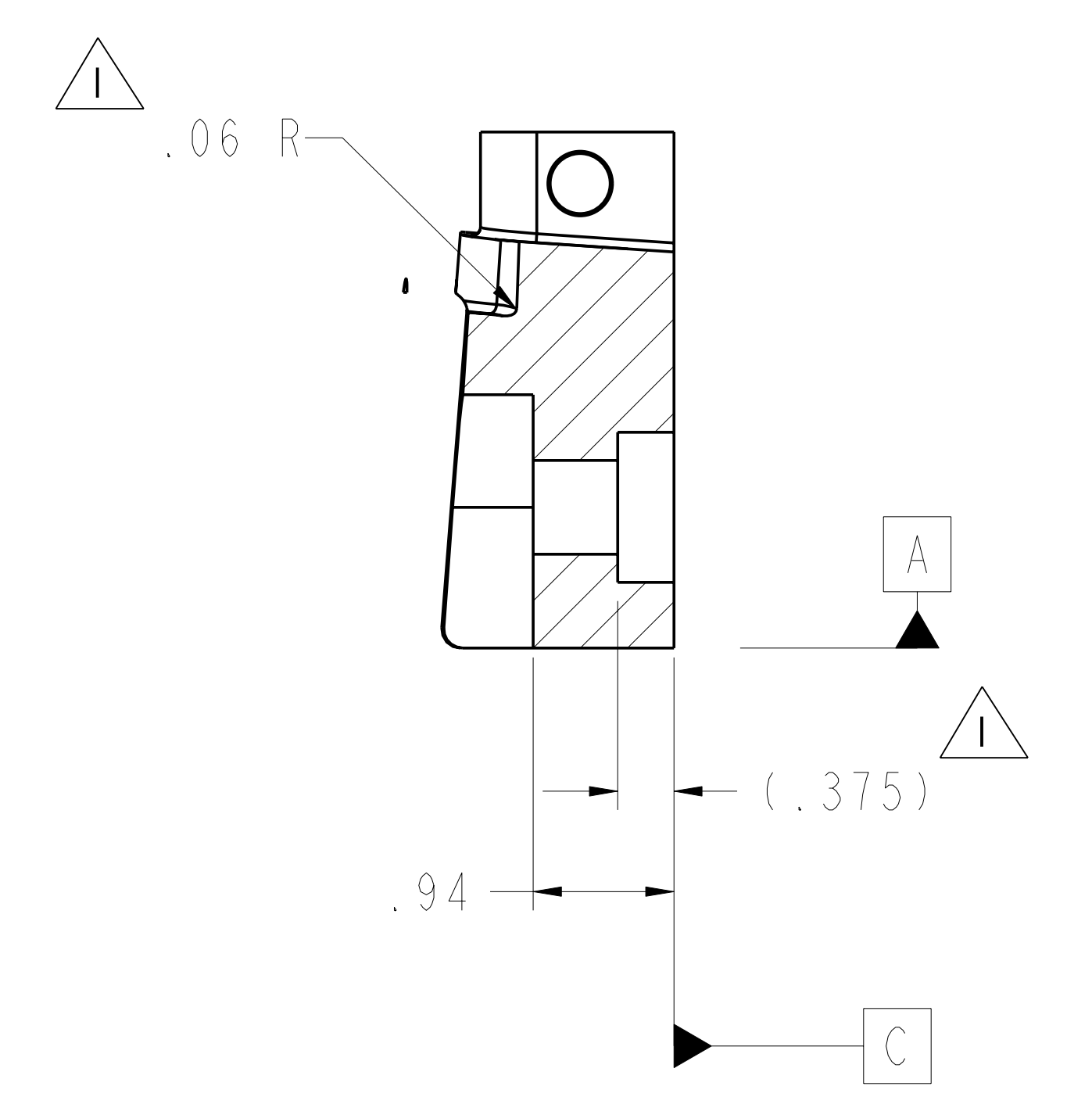
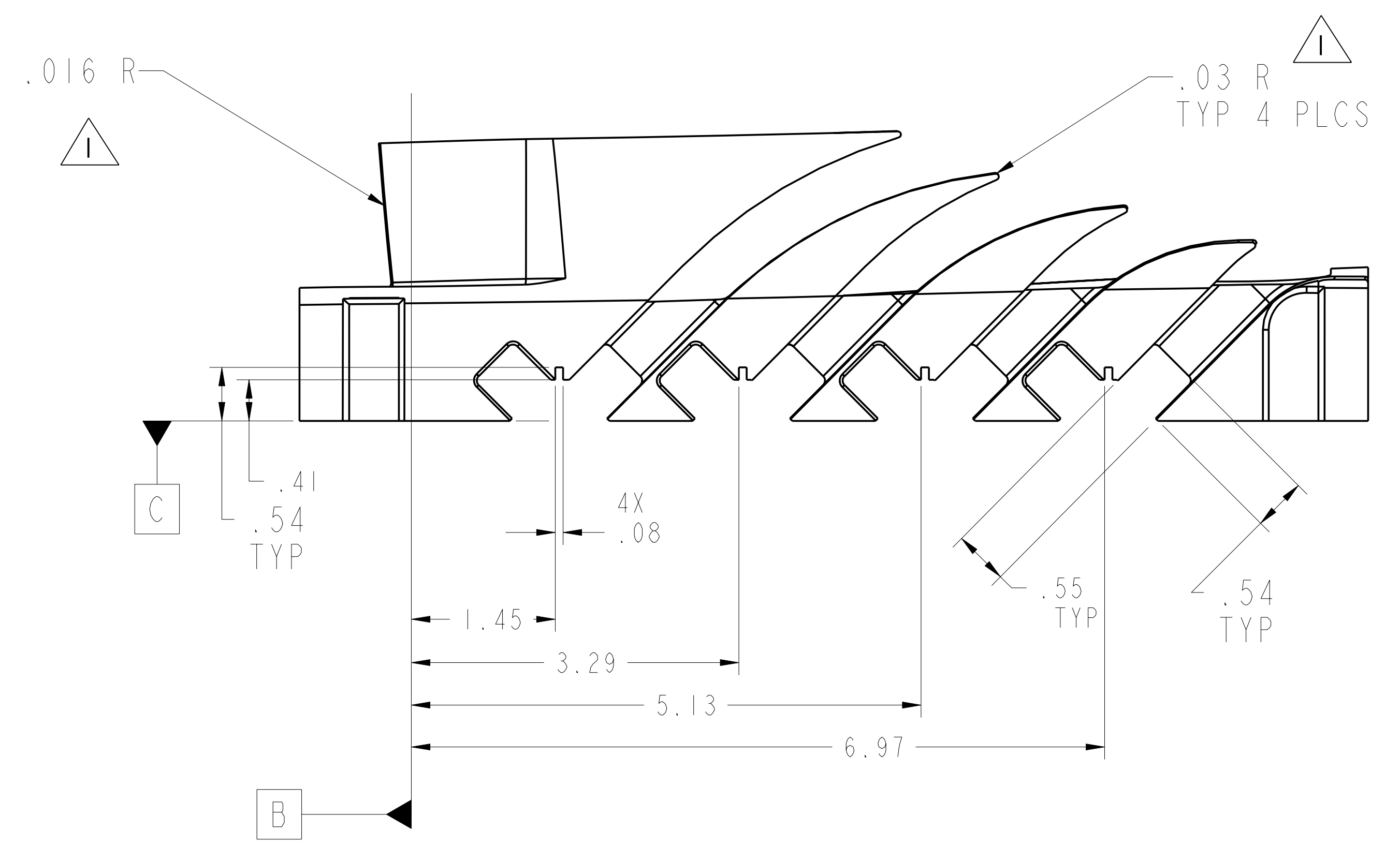


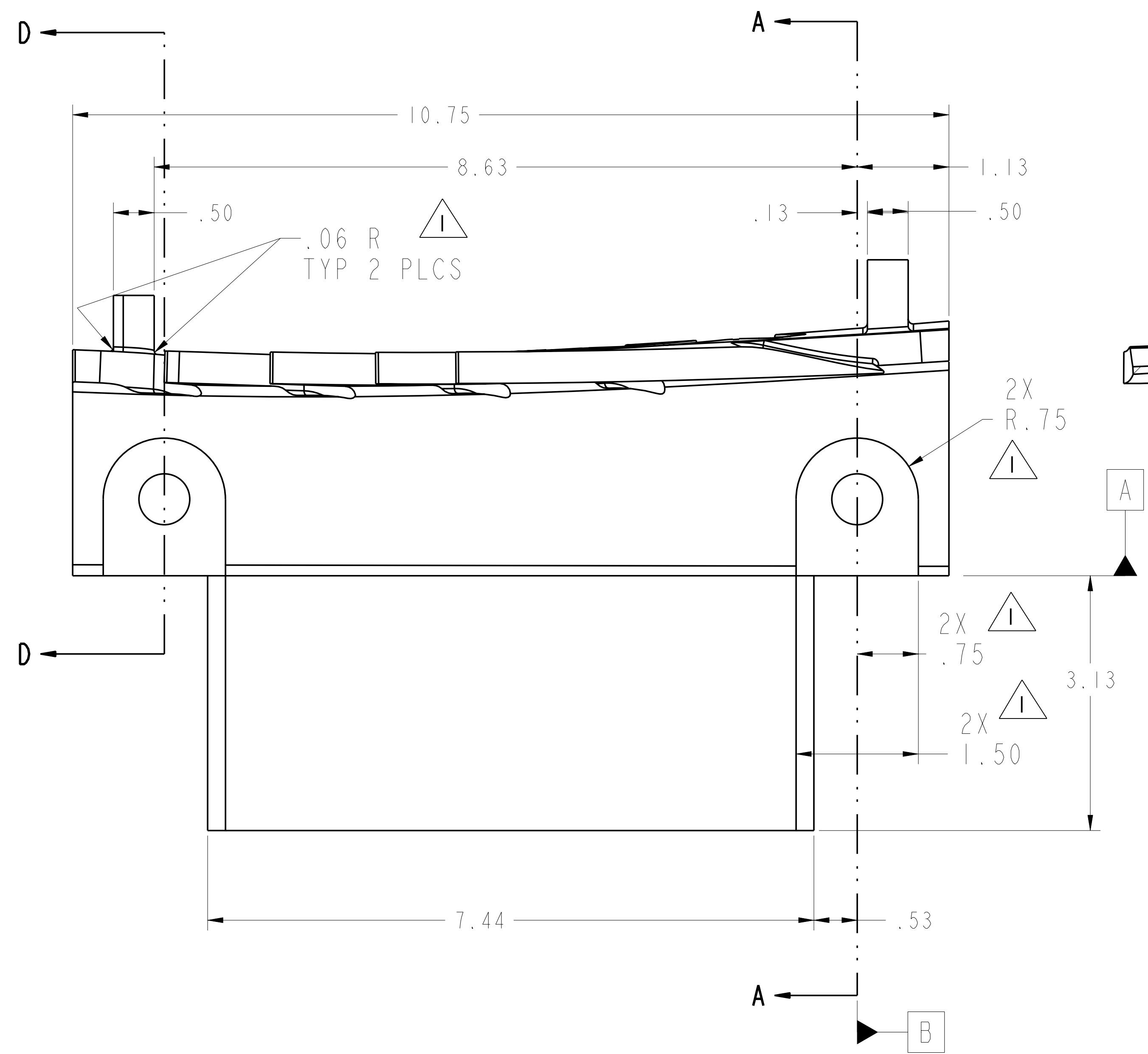
- NOTES:
1. INTERPRET DIMENSIONS AND TOLERANCES PER ANSI Y14.5M
  2. DIMENSIONS ARE IN INCHES
  3. DIMENSIONS APPLY AT ROOM TEMPERATURE, OPERATING TEMP 80 K.
  4. GEOMETRY IS DEFINED IN PRO ENGINEER CAD MODELS/FILES SEI406-135.PRT
  5. DRAWING AND MODELS COMBINED DEFINE FINISHED MACHINED PART.
  6. TOLERANCE X.XXX DIMENSIONS +/- .010



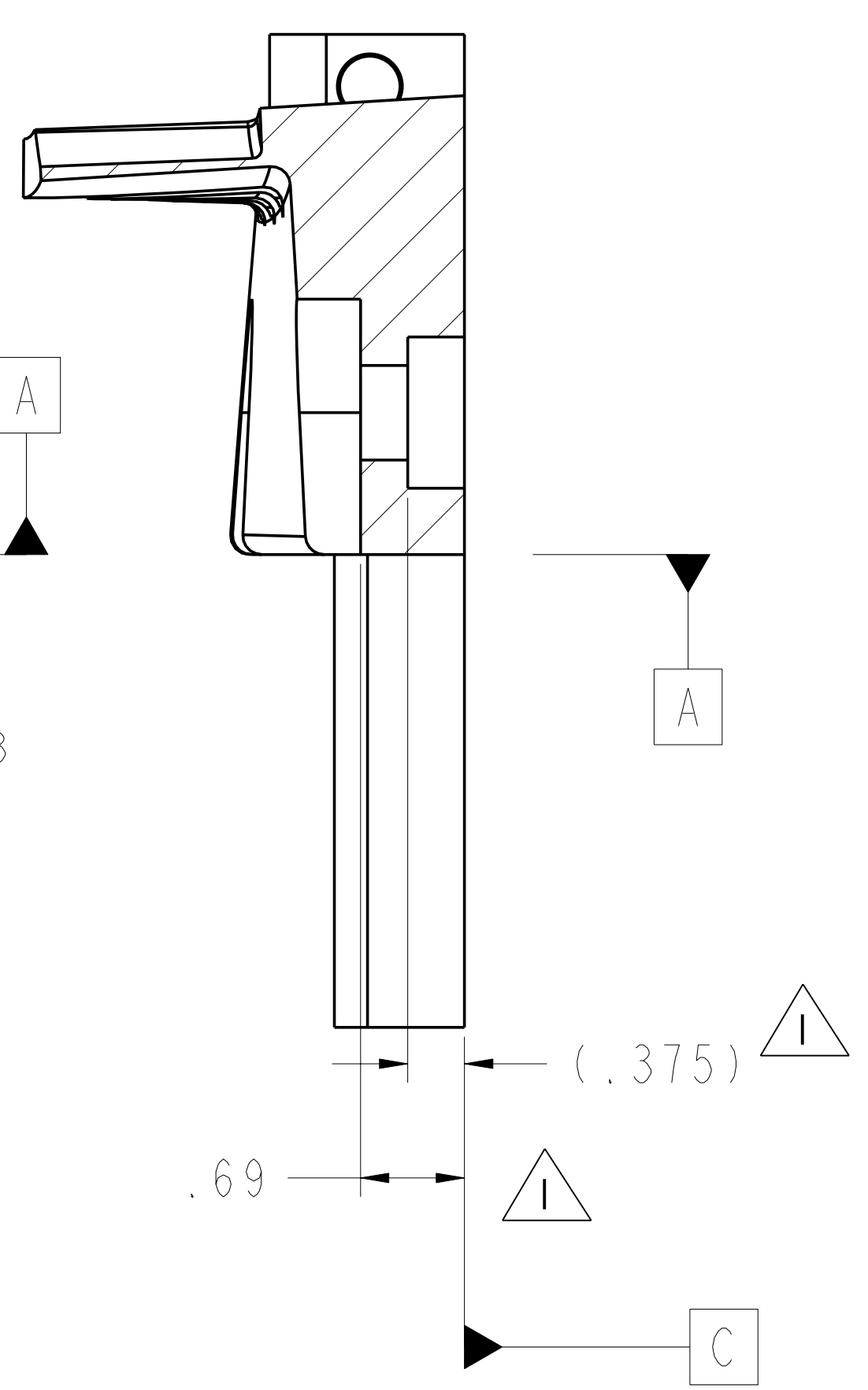
ISOMETRIC VIEW



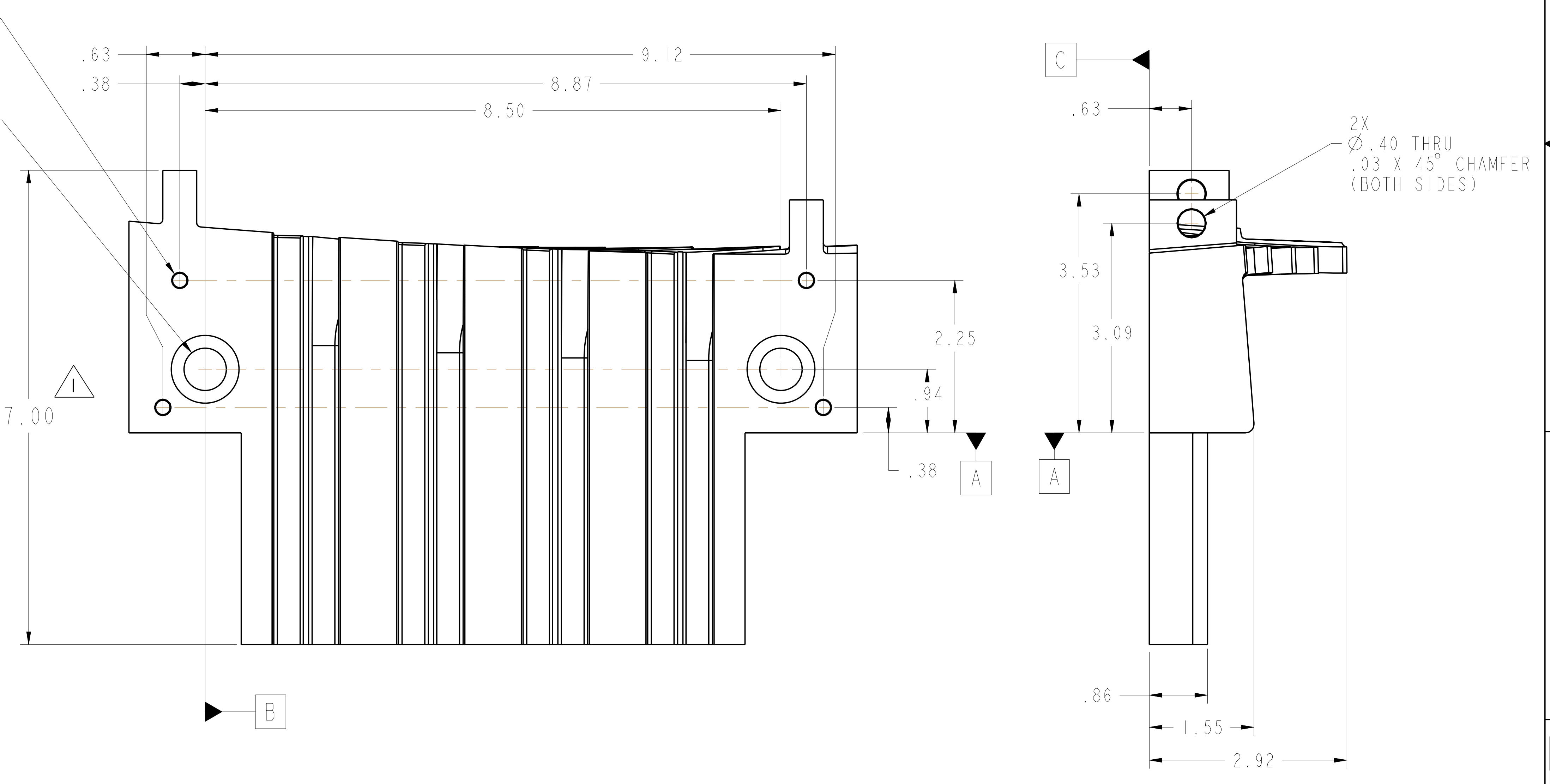
SECTION D-D



4X  
 1/4 20 UNC  $\nabla$  .50  
 .03 X 45° CHAMFER  
 2X  
 $\varnothing$ .63 THRU  $\varnothing$ 1.0  $\nabla$  .375  
 SLOT DEPTH FAR SIDE VARIABLE  
 SEE SECTION A-A AND D-D



SECTION A-A



SCALE 1 : 1

**RELEASED FOR FABRICATION / INSTALLATION**  
 PPPL Drafting:

next assy	CAGE CODE	PART OR IDENTIFYING NO	NOMENCLATURE OR DESCRIPTION	MATERIAL / SPECIFICATION	FIND NO
SEI42C-132			SIDE-B LOWER LEAD BLOCK	NEMA GRADE G-11CR	
			NEXT ASSEMBLY	PARTS LIST	

NO REPRESENTATION OR WARRANTY, EXPRESSED OR IMPLIED, IS MADE AS TO THE ACCURACY, COMPLETENESS OR USEFULNESS OF THE INFORMATION OR STATEMENTS CONTAINED IN THESE DRAWINGS, OR THAT THE USE OR DISCLOSURE OF ANY INFORMATION, APPARATUS, METHOD OR PROCESS DISCLOSED IN THESE DRAWINGS MAY NOT INFRINGE PRIVATE RIGHTS OF OTHERS. NO LIABILITY IS ASSUMED WITH RESPECT TO THE USE OF, OR FOR DAMAGES RESULTING FROM THE USE OF, ANY INFORMATION, APPARATUS, METHOD OR PROCESS DISCLOSED IN THESE DRAWINGS. DRAWINGS MADE AVAILABLE FOR INFORMATION TO BIDDER ARE NOT TO BE USED FOR OTHER PURPOSES, AND ARE TO BE RETURNED UPON REQUEST OF THE FORWARDING CONTRACTOR.

**P** THIS DRAWING PRODUCED ON PRO-ENGINEER

REV	DESCRIPTION	BY	DATE	CHK	DEPT	DATE	PE	REQ	DATE	ORNL	DOE	DATE
1	REVISE PART AND DRAWING PER ECN 5024	GLL	08/05	MJC			DEW					
0	INITIAL RELEASE	DEW	11/11									

SCALE NOTED	DES P FOGARTY 05/05
TOLERANCES UNLESS OTHERWISE SPECIFIED	DRW D WILLIAMSON 05/05
FRACTIONS	CHK G LOVETT 05/05
XX DECIMALS ±.01	SECT :
XXX DECIMALS ±.005	DEPT :
ANGLES ±0°15'	PE D WILLIAMSON 05/05
BREAK SHARP EDGES .06 MAX	CR :
FINISH .125 UNLESS OTHERWISE SPECIFIED	PJ :
	RED :
	PPPL DRFT J SIEGEL 05/05
	RELEASE LEVEL
	Fabrication

UT-BATTELLE		Oak Ridge National Laboratory managed for the DEPARTMENT OF ENERGY under U.S. GOVERNMENT contract DE-AC05-00OR22725 UT-BATTELLE, LLC. Oak Ridge, Tennessee	
NATIONAL COMPACT STELLARATOR EXPERIMENT			
MODULAR COIL TYPE-C SIDE-B LOWER LEAD BLOCK DETAIL			
VERSION NO.	PLANT	BLDG	FL
7	X-10	5700	3
RELEASE LEVEL	FL	SHT OF	TYPE
Fabrication	1	1	S
			U
			REV
			1