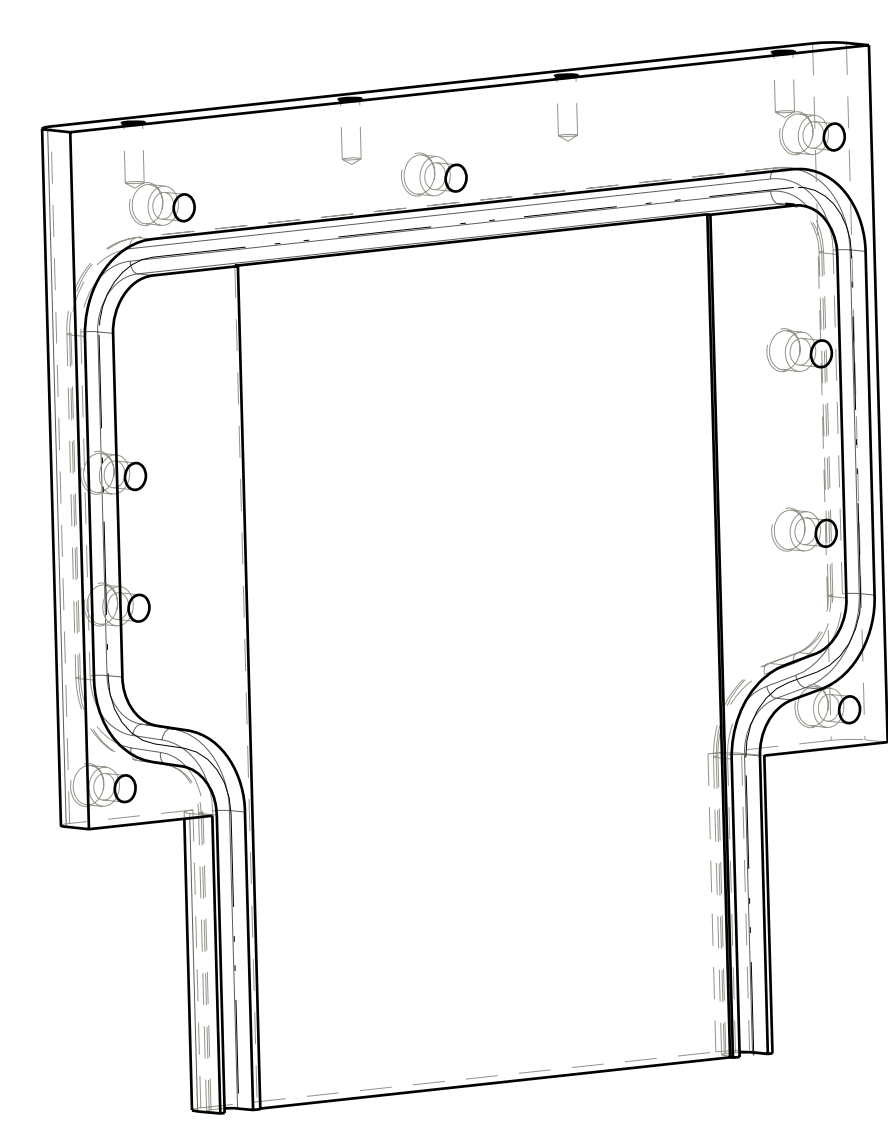
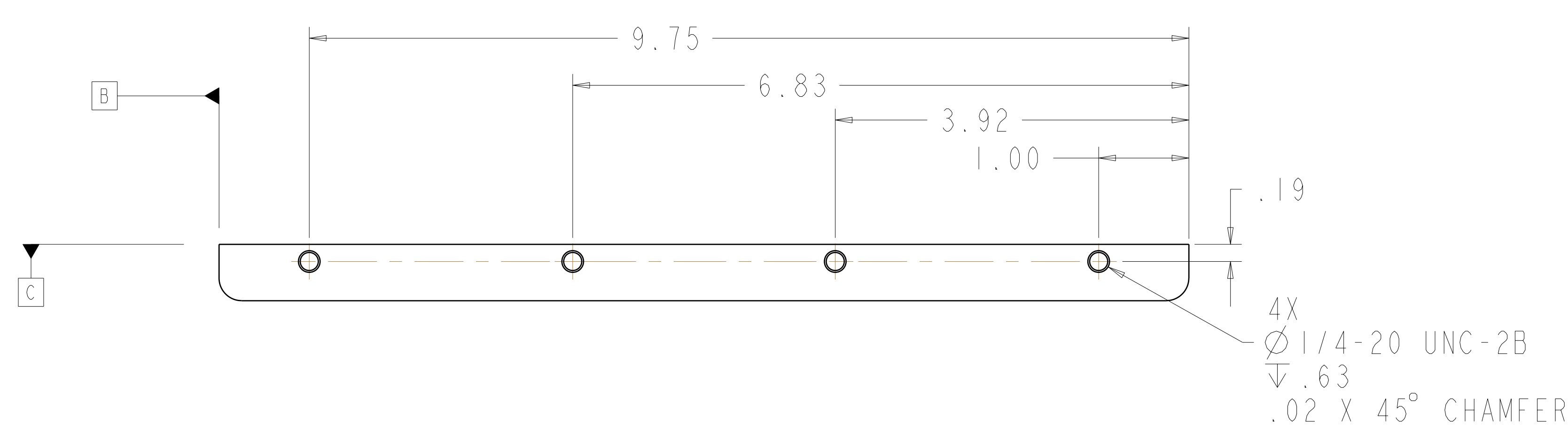


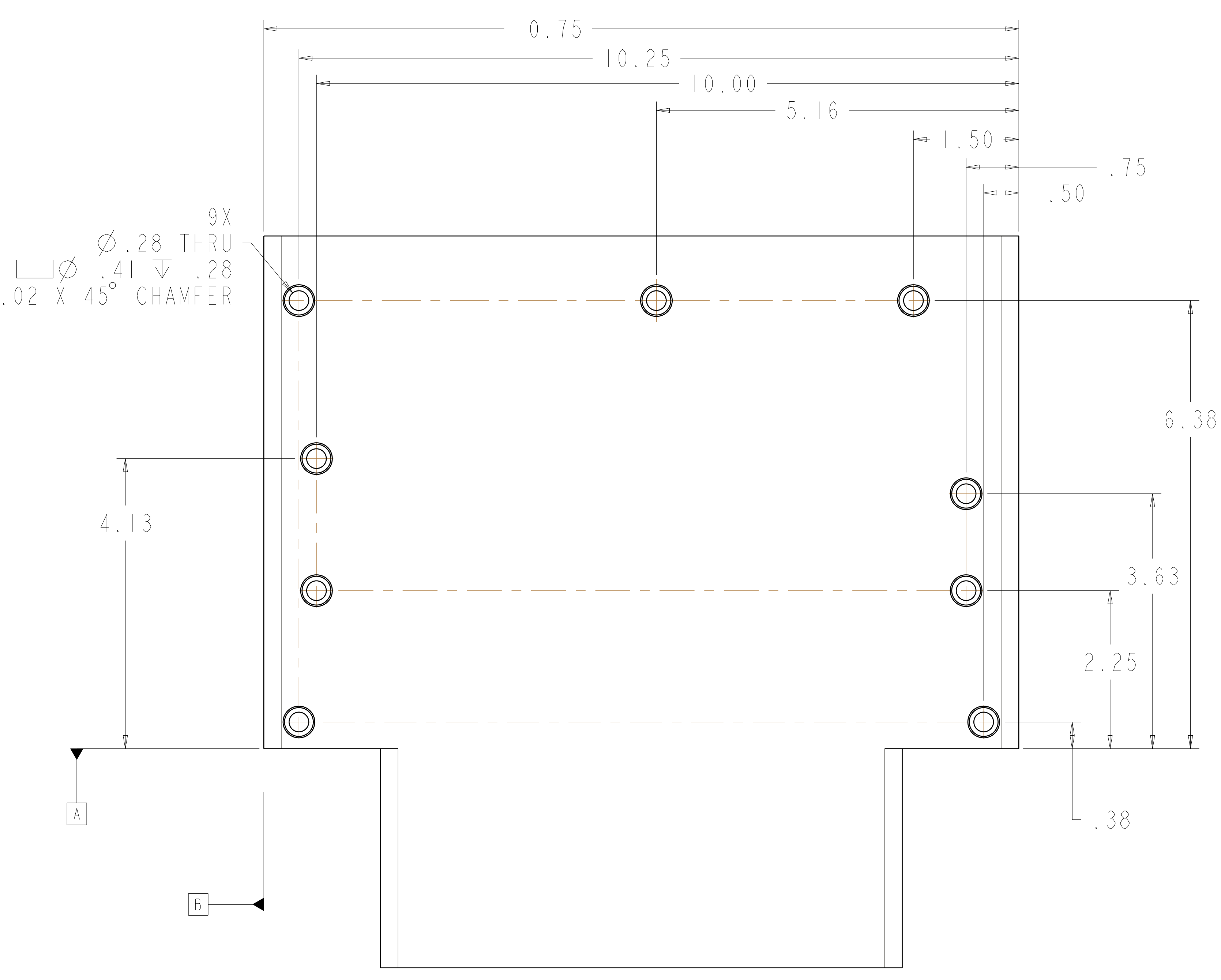
NOTES:

1. INTERPRET DIMENSIONS AND TOLERANCES PER ANSI Y14.5M
2. DIMENSIONS ARE IN INCHES
3. DIMENSIONS APPLY AT ROOM TEMPERATURE. OPERATING TEMP 80 K.
4. GEOMETRY DEFINED BY PRO/ENGINEER MODEL SEI42C-220.PRT
5. DRAWING AND MODEL COMBINED DEFINES FINISHED PART.

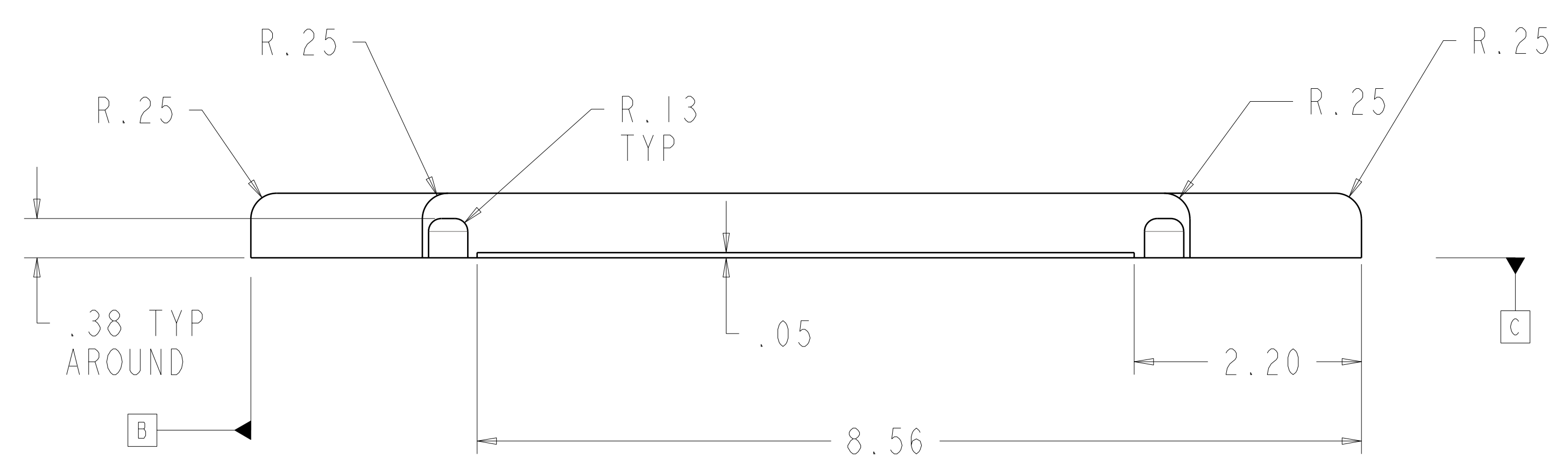
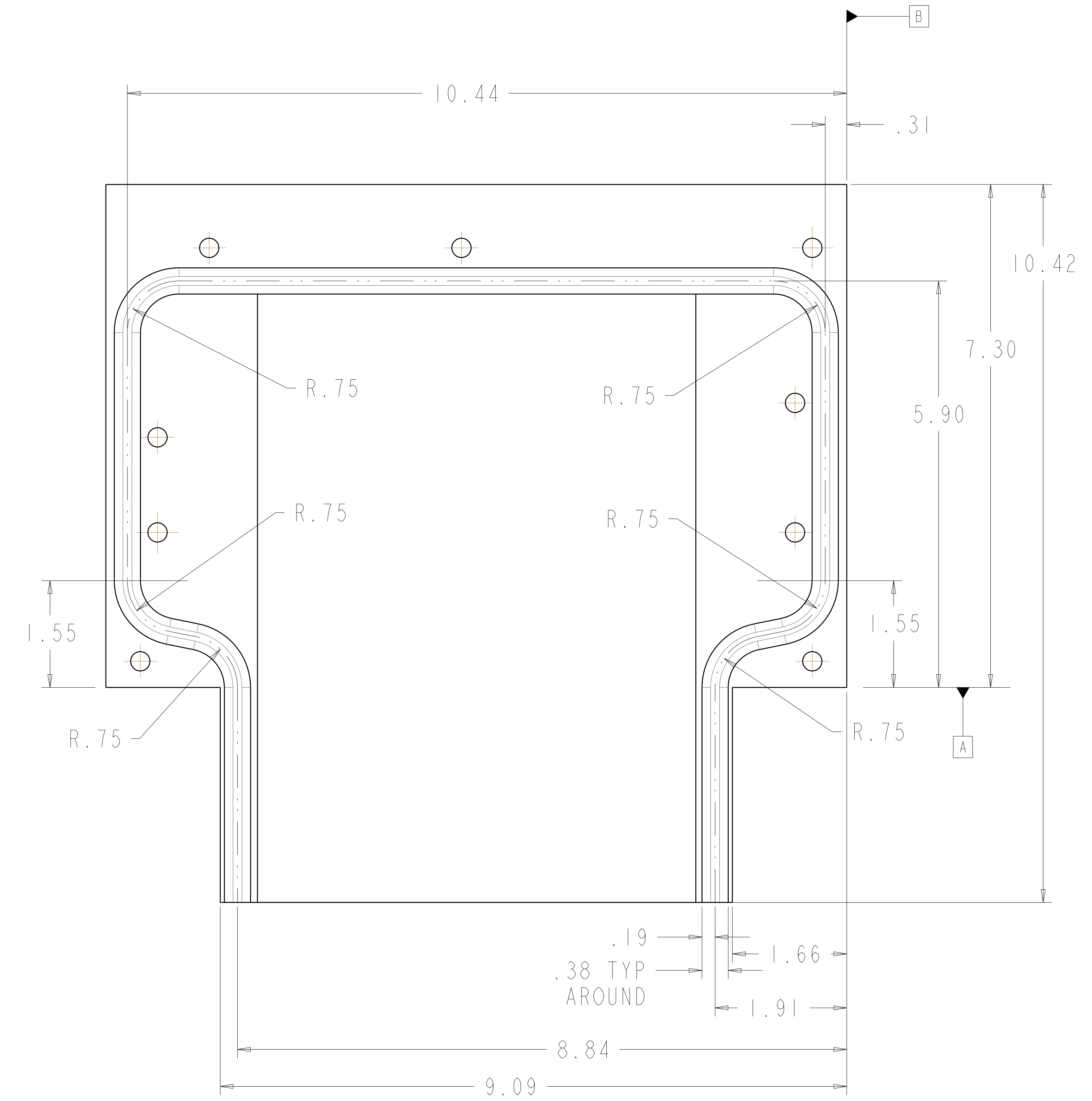
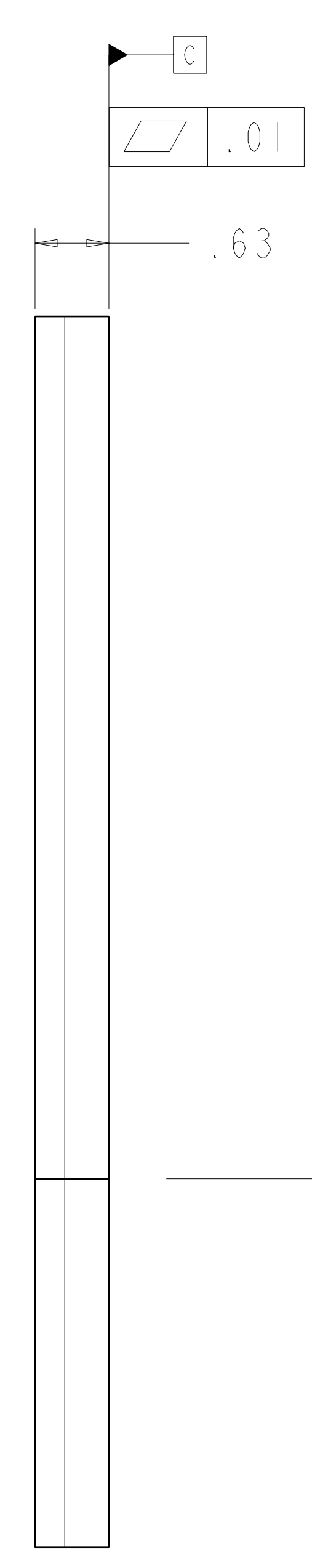


ISOMETRIC VIEW

SCALE 0.5



SCALE 1 : 1



**RELEASED FOR FABRICATION / INSTALLATION**  
 PPPL Drafting:

AR	-1	SIDE PLATE -A	NEMA GRADE G-IICR	I
SEI40-103	CAGE CODE	PART OR IDENTIFYING NO	NOMENCLATURE OR DESCRIPTION	FIND NO
		NEXT ASSEMBLY	PARTS LIST	

REV	DESCRIPTION	BY	DATE	CHK	DEPT	DATE	PE	REQ	DATE	ORNL	DOE	DATE

SCALE NOTED	DES: PJ FOGARTY 6-05	<b>UT-BATTELLE</b> Oak Ridge National Laboratory managed for the DEPARTMENT OF ENERGY under U.S. GOVERNMENT contract DE-AC05-00OR22725 UT-BATTELLE, LLC, Oak Ridge, Tennessee PRODUCT NAME <b>NATIONAL COMPACT STELLARATOR EXPERIMENT</b> MODULAR COIL TYPE-C LEADS ENCLOSURE SIDE PLATE SIDE-A PLATE DETAIL
TOLERANCES UNLESS OTHERWISE SPECIFIED	DRW: GARY LOVETT 6-05	
FRACTIONS	CHK: M COLE 6-05	
XX DECIMALS ±.01	SECT: :	
XXX DECIMALS ±.005	DEPT: :	
ANGLES ±0°15'	PE: D WILLIAMSON 6-05	
BREAK SHARP EDGES 06 MAX	CR: :	
FINISH .125 UNLESS OTHERWISE SPECIFIED	PJ: :	
	RED: :	
	PPPL DRFT: J STIEGLE 6-05	
	VERSION NO. 7	
	PLANT X-10	
	BLDG 5700	
	FL 3	
	SHT OF 1	
	TYPE I	
	CLASS S	
	RELEASE LEVEL	
	Fabrication	
	SEI42C-220	
	REV 0	

NO REPRESENTATION OR WARRANTY, EXPRESSED OR IMPLIED, IS MADE AS TO THE ACCURACY, COMPLETENESS OR USEFULNESS OF THE INFORMATION OR STATEMENTS CONTAINED IN THESE DRAWINGS, OR THAT THE USE OR DISCLOSURE OF ANY INFORMATION, APPARATUS, METHOD OR PROCESS DISCLOSED IN THESE DRAWINGS MAY NOT INFRINGE PRIVATE RIGHTS OF OTHERS. NO LIABILITY IS ASSUMED WITH RESPECT TO THE USE OF, OR FOR DAMAGES RESULTING FROM THE USE OF, ANY INFORMATION, APPARATUS, METHOD OR PROCESS DISCLOSED IN THESE DRAWINGS. DRAWINGS MADE AVAILABLE FOR INFORMATION TO BIDDER ARE NOT TO BE USED FOR OTHER PURPOSES, AND ARE TO BE RETURNED UPON REQUEST OF THE FORWARDING CONTRACTOR.

**P** THIS DRAWING PRODUCED ON PRO-ENGINEER

H  
G  
F  
E  
D  
C  
B  
A