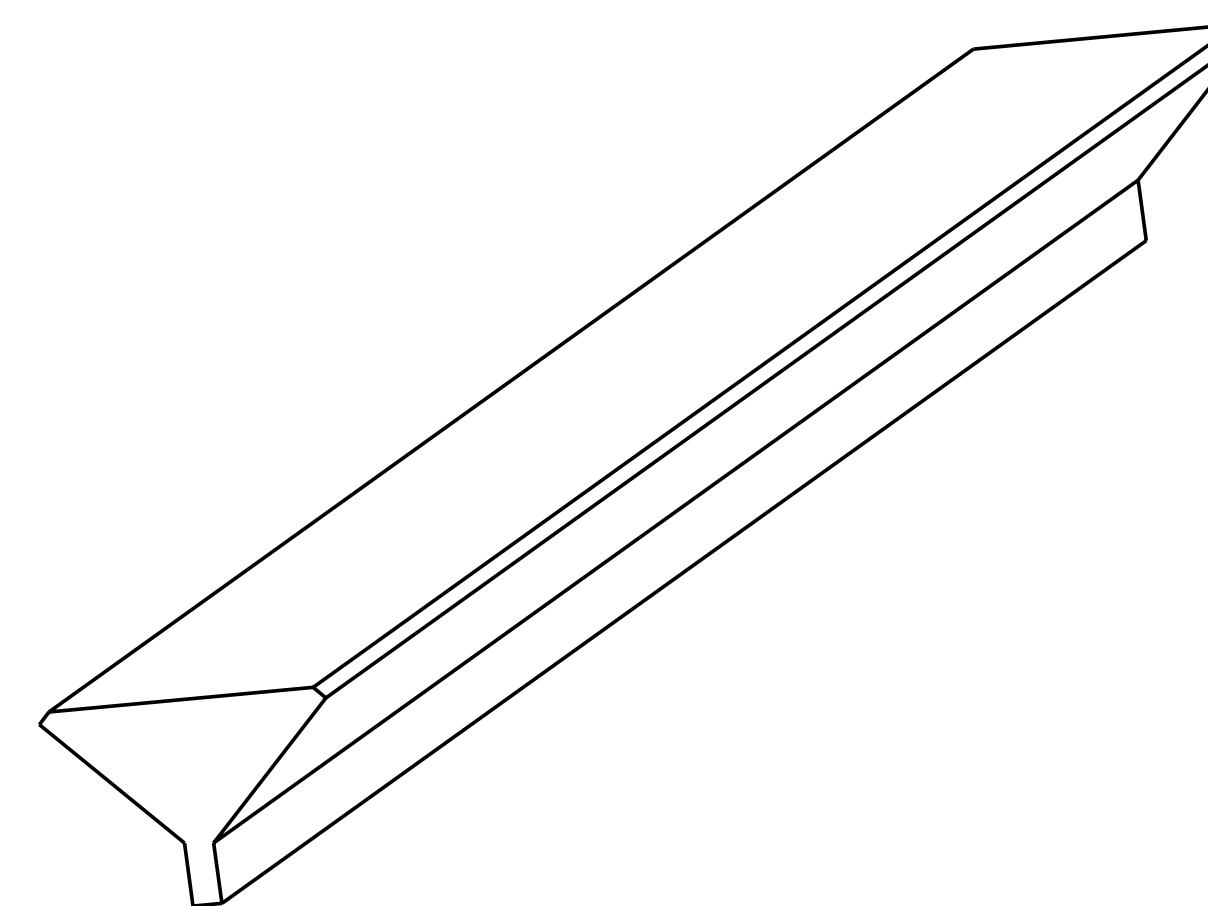


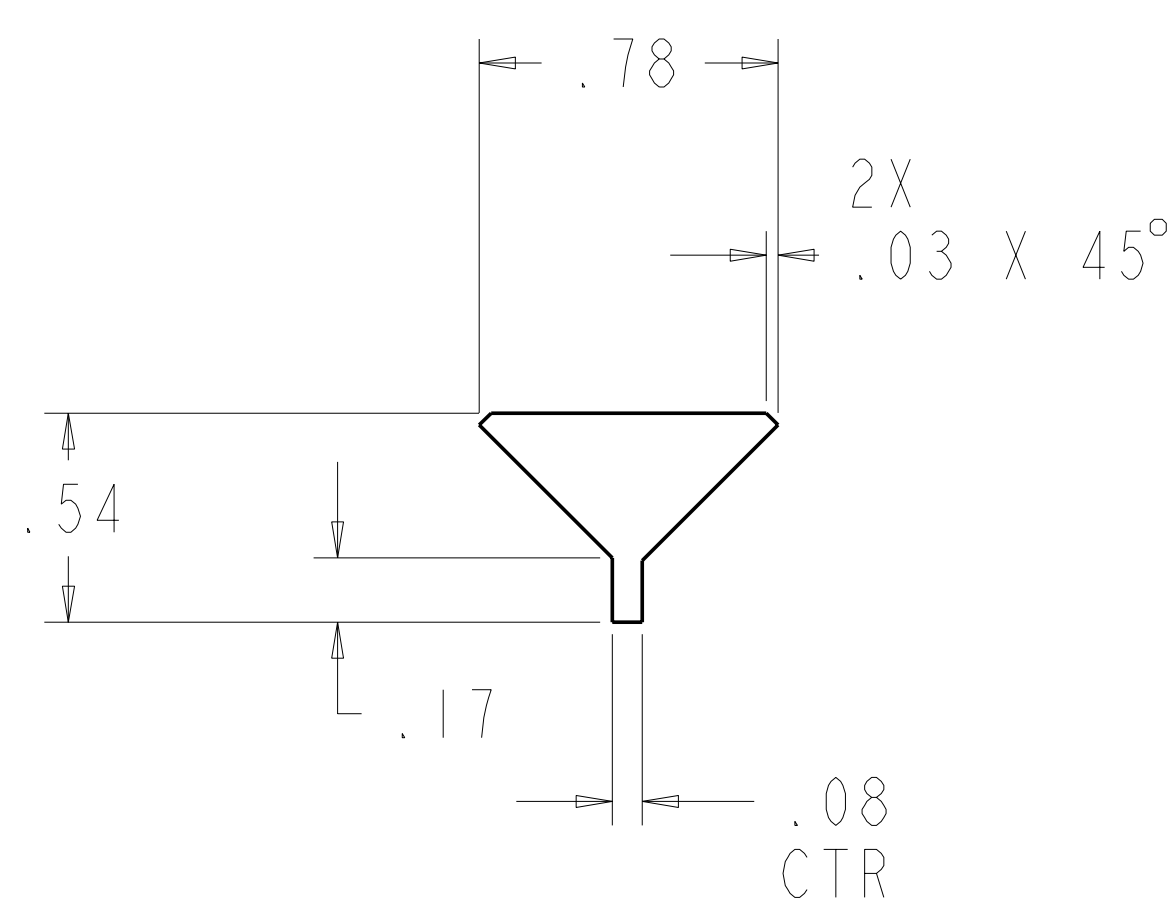
NOTES:

- 1. DRAWING PREPARED IN ACCORDANCE WITH ASME Y14.100-2000.
- 2. INTERPRET DIMENSIONS AND TOLERANCES PER ASME Y14.5M-1994.
- 3. DIMENSIONS ARE IN INCHES.
- 4. DIMENSIONS APPLY AT ROOM TEMPERATURE. OPERATING TEMP 80 K.
- 5. GEOMETRY IS DEFINED IN PRO ENGINEER CAD MODELS/FILES SEI42C-226.PRT
- 6. DRAWING AND MODELS COMBINED DEFINE FINISHED MACHINED PART.



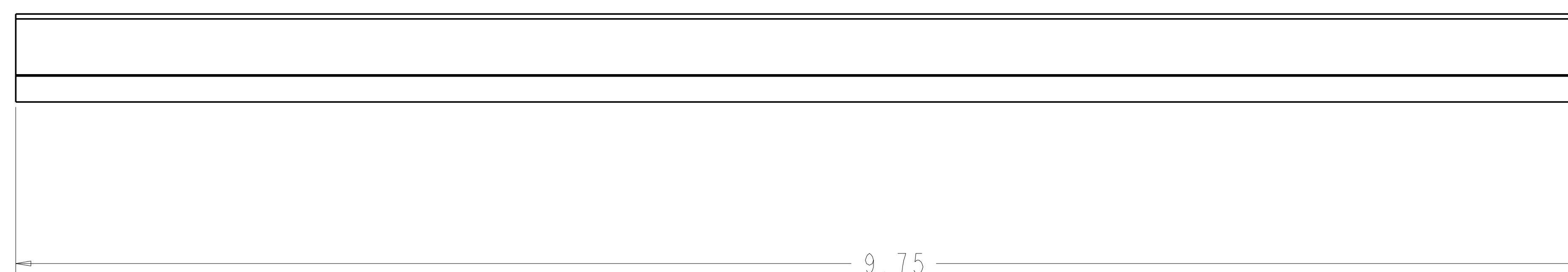
ISOMETRIC VIEW

SCALE 2.00



1

SCALE 2.00



RELEASED FOR FABRICATION / INSTALLATION

PPPL Drafting:

AR	X	-1	FILLER STRIP	COPPER, ANNEALED UNS C10100, C10200	I
SEI42C-080					
	CAGE CODE	PART OR IDENTIFYING NO	NOMENCLATURE OR DESCRIPTION	MATERIAL / SPECIFICATION	FIND NO
			NEXT ASSEMBLY	PARTS LIST	

REV	DESCRIPTION	BY	DATE	CHK	DEPT	DATE	PE	REQ	DATE	DRNL	DOE	DATE

SCALE NOTED		DES: PJ FOGARTY	10-05
TOLERANCES UNLESS OTHERWISE SPECIFIED		DRW: G LOVETT	10-05
FRACTIONS	:	CHK: M COLE	10-05
XX DECIMALS	± .01	SECT:	
XXX DECIMALS	± .005	DEPT:	
ANGLES	± 0'15"	PE: D WILLIAMSON	10-05
FINISH	.125 UNLESS OTHERWISE SPECIFIED	CR:	
		PJ:	
		REO:	
		PPPL DRFT J SIEGEL	10-05

UT-BATTELLE		Oak Ridge National Laboratory managed for the DEPARTMENT OF ENERGY under U.S. GOVERNMENT contract DE-AC05-00OR22725 UT-BATTELLE, LLC. Oak Ridge, Tennessee			
NATIONAL COMPACT STELLARATOR EXPERIMENT					
MODULAR COIL LEAD BLOCKS FILLER STRIP					
VERSION NO.	PLANT	BLDG	FL	SHT OF	TYPE CLASS
3	X-10	5700	3	1	S U
RELEASE LEVEL	Fabrication				REV 0
SEI42C-226					

NO REPRESENTATION OR WARRANTY, EXPRESSED OR IMPLIED, IS MADE AS TO THE ACCURACY, COMPLETENESS OR USEFULNESS OF THE INFORMATION OR STATEMENTS CONTAINED IN THESE DRAWINGS, OR THAT THE USE OR DISCLOSURE OF ANY INFORMATION, APPARATUS, METHOD OR PROCESS DISCLOSED IN THESE DRAWINGS MAY NOT INFRINGE PRIVATE RIGHTS OF OTHERS. NO LIABILITY IS ASSUMED WITH RESPECT TO THE USE OF, OR FOR DAMAGES RESULTING FROM THE USE OF, ANY INFORMATION, APPARATUS, METHOD OR PROCESS DISCLOSED IN THESE DRAWINGS. DRAWINGS MADE AVAILABLE FOR INFORMATION TO BIDDER ARE NOT TO BE USED FOR OTHER PURPOSES, AND ARE TO BE RETURNED UPON REQUEST OF THE FORWARDING CONTRACTOR.

P THIS DRAWING PRODUCED ON PRO-ENGINEER

H
G
F
E
D
C
B
A