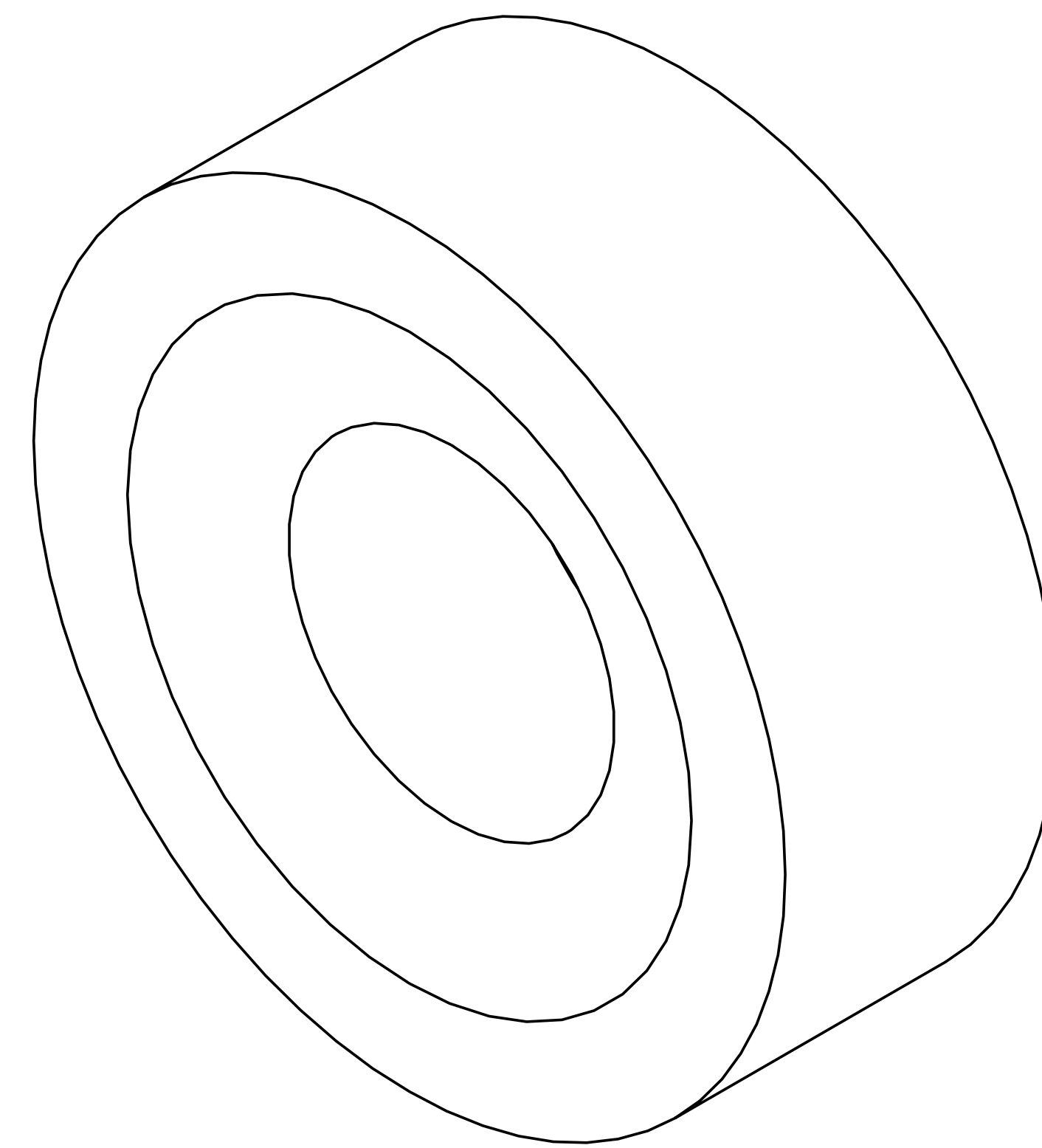


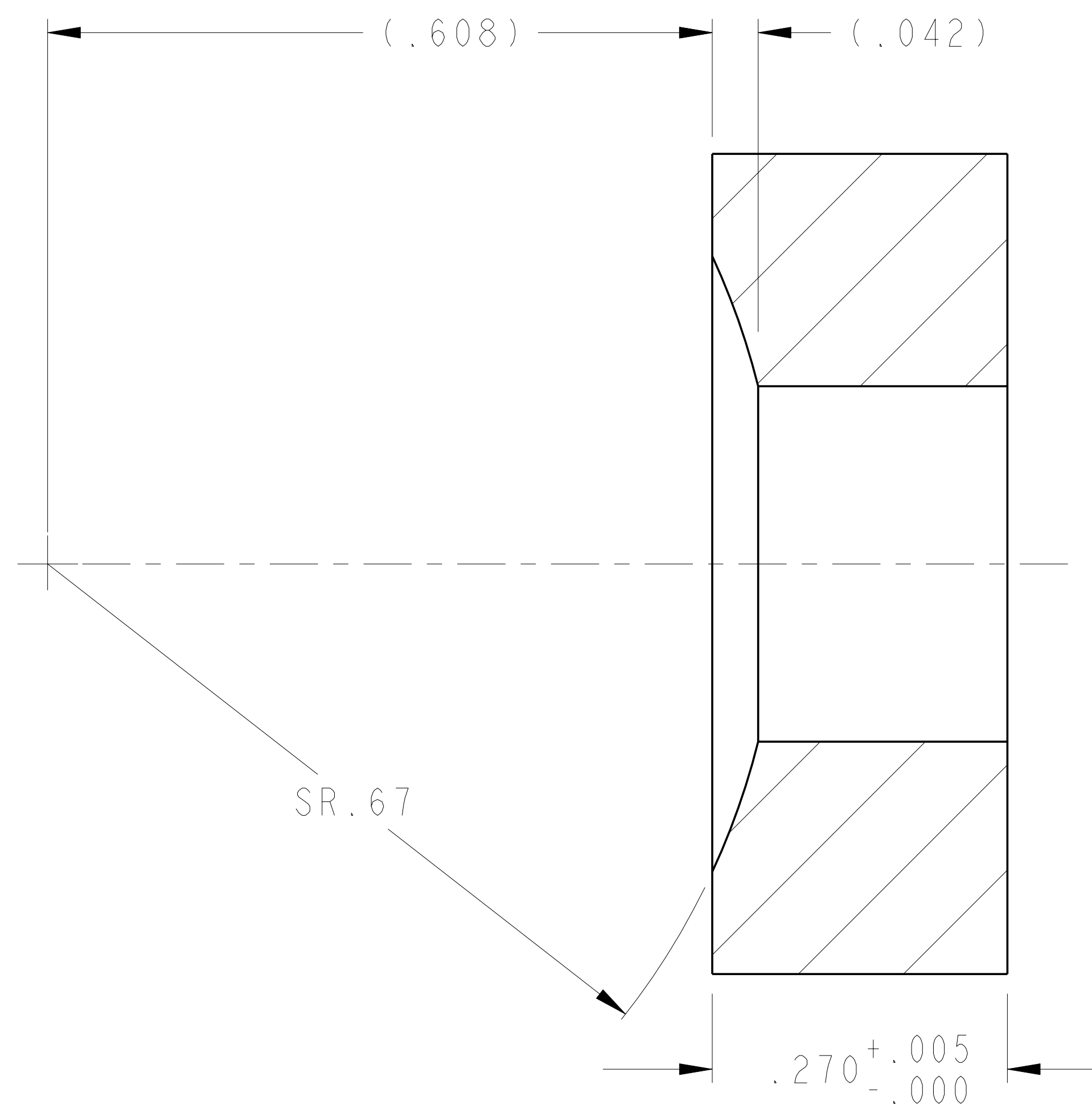
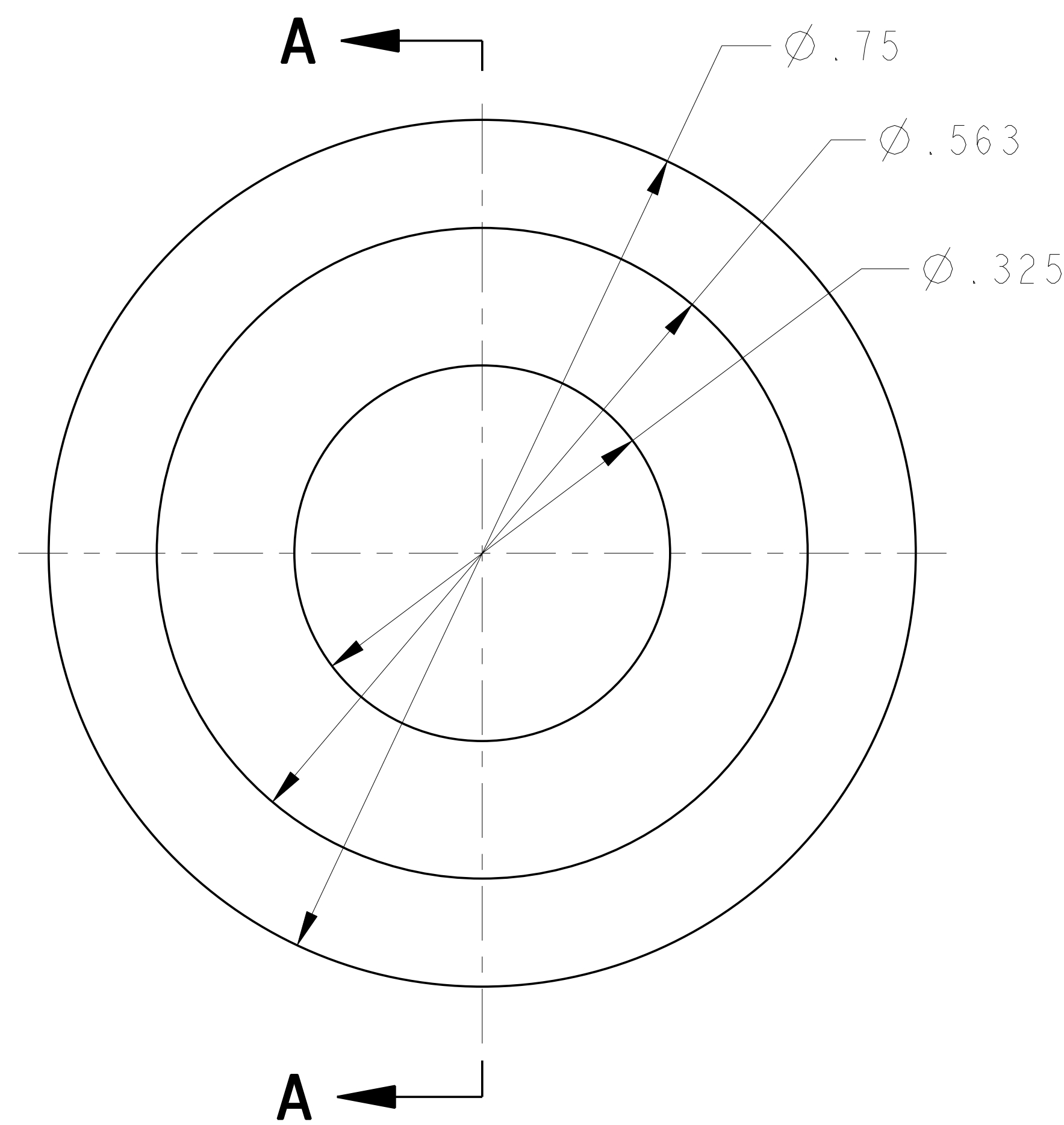
NOTES:

1. DRAWING PREPARED IN ACCORDANCE WITH ASME Y14.100.
2. INTERPRET DIMENSIONS AND TOLERANCES PER ANSI Y14.5M
3. DIMENSIONS ARE IN INCHES
4. DIMENSIONS APPLY AT ROOM TEMPERATURE. OPERATING TEMP 80 K
5. GEOMETRY IS DEFINED IN PRO ENGINEER CAD MODELS/FILES
6. DRAWING AND MODELS COMBINED DEFINE FINISHED MACHINED PART
7. MAGNETIC PERMEABILITY SHALL NOT EXCEED 1.02 AS TESTED BY A SEVERN-TYPE INDICATOR. AVAILABLE FROM:

SEVERN ENGINEERING COMPANY
 555 OLD STAGE ROAD SUITE 14
 AUBURN, ALABAMA 36830



ISOMETRIC VIEW



SECTION A-A

**RELEASED FOR
 FABRICATION / INSTALLATION**
 PPPL Drafting:

1 WASHER, SPHERICAL, CONCAVE

| | | | | | | | | |
|------------|----|---|----|----------------------------|------------------------|-----------------------------|----------|---------------|
| 7 | AR | X | -1 | WASHER, SPHERICAL, CONCAVE | UNS S31600 | | | |
| SE142C-274 | | | | CAGE CODE | PART OR IDENTIFYING NO | NOMENCLATURE OR DESCRIPTION | MATERIAL | SPECIFICATION |
| | | | | | | | | FIND NO |
| | | | | | | | | |

NEXT ASSEMBLY PARTS LIST

| | | | | |
|---|--|----------------------------|---|--|
| SCALE 1:0 | | DES: D WILLIAMSON 7-29-05 | Oak Ridge National Laboratory managed for the DEPARTMENT OF ENERGY under U.S. GOVERNMENT contract DE-AC05-00OR22725 UT-BATTELLE, LLC, Oak Ridge, Tennessee | |
| TOLERANCES UNLESS OTHERWISE SPECIFIED | | DRW: G LOVETT 7-29-05 | UT-BATTELLE NATIONAL COMPACT STELLARATOR EXPERIMENT | |
| FRACTIONS | | CHK: TOM HARGROVE 8-26-05 | | |
| XX DECIMALS ± .01 | | DEPT: : | PISTON, CONCAVE | |
| XXX DECIMALS ± .005 | | PE: D WILLIAMSON 8-26-05 | | |
| ANGLES ±0°15' | | CR: : | VERSION NO. 4 PLANT X-10 BLDG 5700 FL 3 SHT OF 1 TYPE I CLASS U RELEASE LEVEL Fabrication SE142C-274 REV 0 | |
| FINISH .125 UNLESS OTHERWISE SPECIFIED | | PJ: : | | |
| REV | | PPPL DRFT J SIEGLE 8-26-05 | | |
| DESCRIPTION | | REO: : | | |
| BY DATE CHK DEPT DATE PE REG DATE DRNL DOE DATE | | REO: : | | |
| REVISION OR ISSUE PURPOSE | | DRWING APPROVALS | | |

NO REPRESENTATION OR WARRANTY, EXPRESSED OR IMPLIED, IS MADE AS TO THE ACCURACY, COMPLETENESS OR USEFULNESS OF THE INFORMATION OR STATEMENTS CONTAINED IN THESE DRAWINGS, OR THAT THE USE OR DISCLOSURE OF ANY INFORMATION, APPARATUS, METHOD OR PROCESS DISCLOSED IN THESE DRAWINGS MAY NOT INFRINGE PRIVATE RIGHTS OF OTHERS. NO LIABILITY IS ASSUMED WITH RESPECT TO THE USE OF, OR FOR DAMAGES RESULTING FROM THE USE OF, ANY INFORMATION, APPARATUS, METHOD OR PROCESS DISCLOSED IN THESE DRAWINGS. DRAWINGS MADE AVAILABLE FOR INFORMATION TO BIDDER ARE NOT TO BE USED FOR OTHER PURPOSES, AND ARE TO BE RETURNED UPON REQUEST OF THE FORWARDING CONTRACTOR.

P THIS DRAWING PRODUCED ON PRO-ENGINEER

H
G
F
E
D
C
B
A