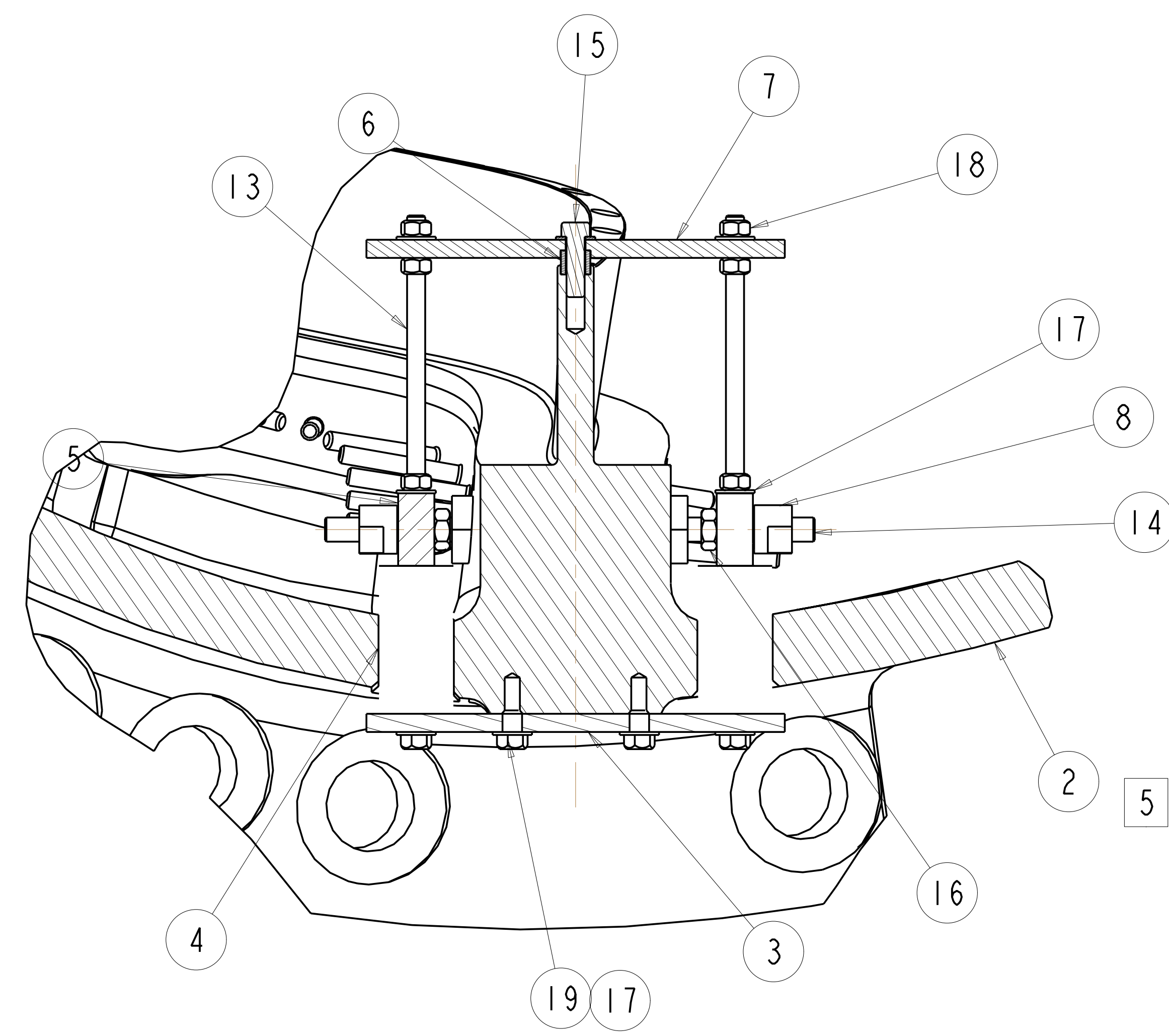
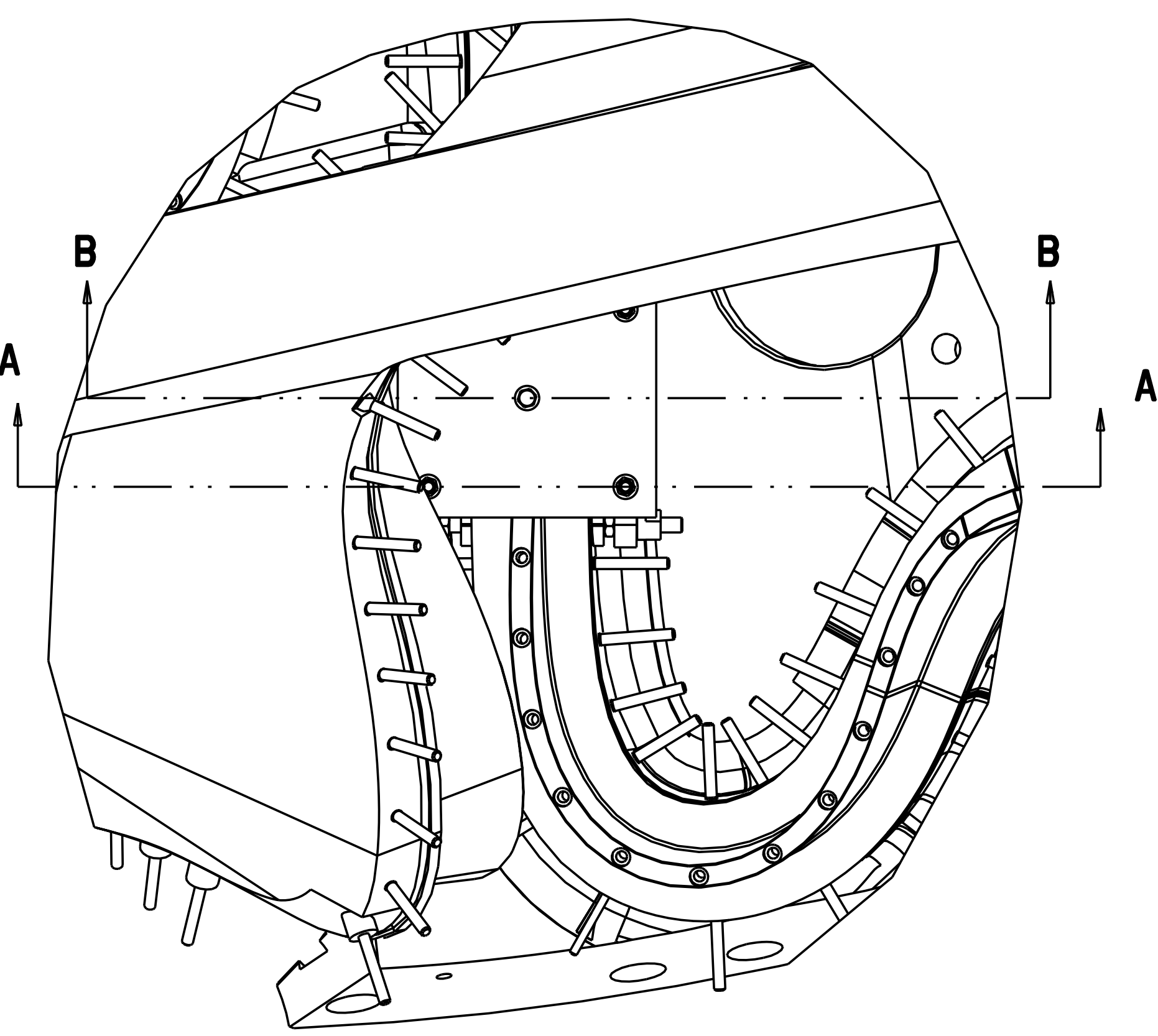
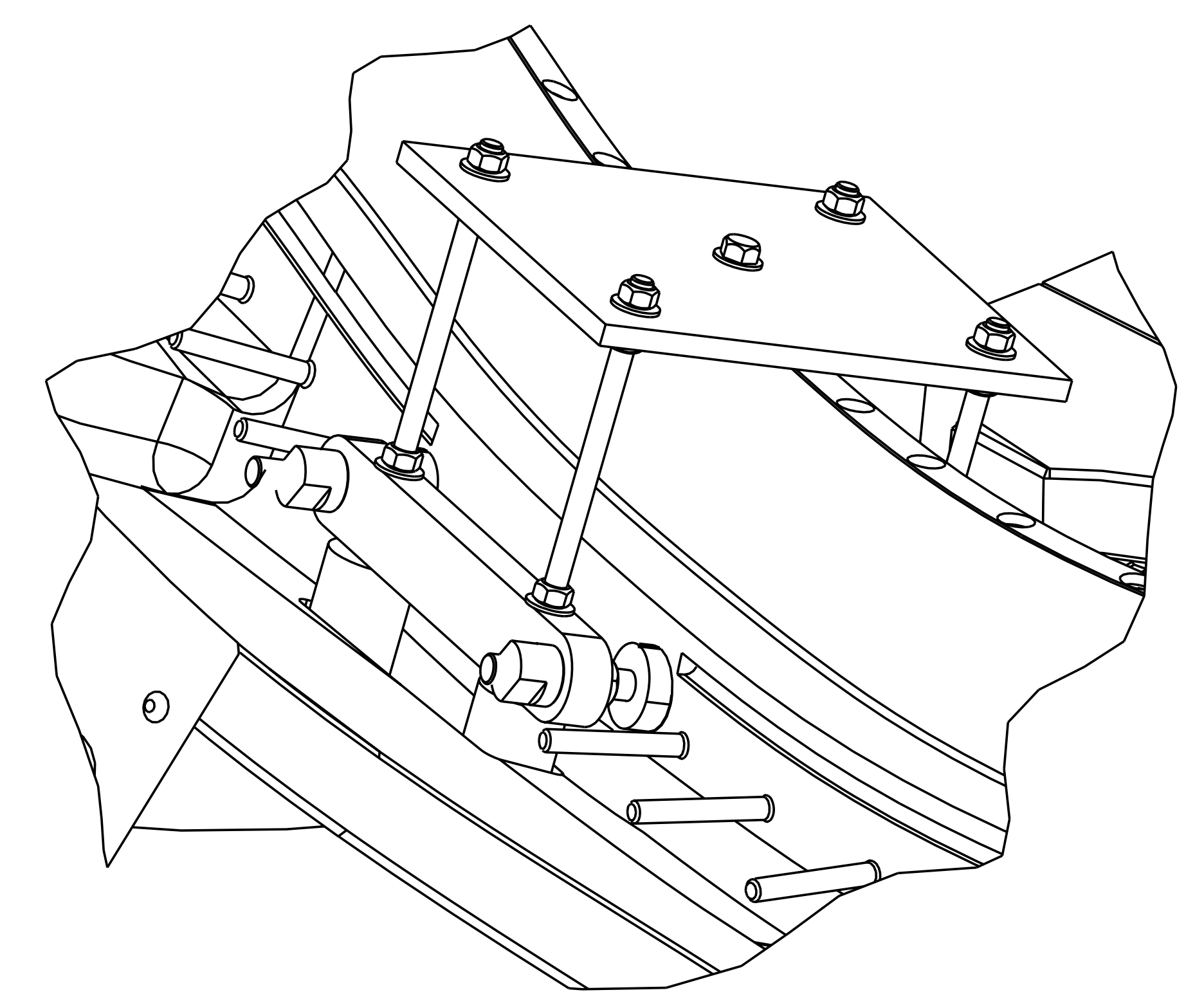


- NOTES:
1. DRAWING PREPARED IN ACCORDANCE WITH ASME Y14.100-2004.
 2. INTERPRET DIMENSIONS AND TOLERANCES PER ASME Y14.5M-1994.
 3. DIMENSIONS ARE IN INCHES
 4. GEOMETRY IS DEFINED IN PRO ENGINEER CAD MODELS/FILES SEI42C-280.ASM
 5. ONLY AREA AROUND TERMINAL LEADS SHOWN. FOR CLARITY

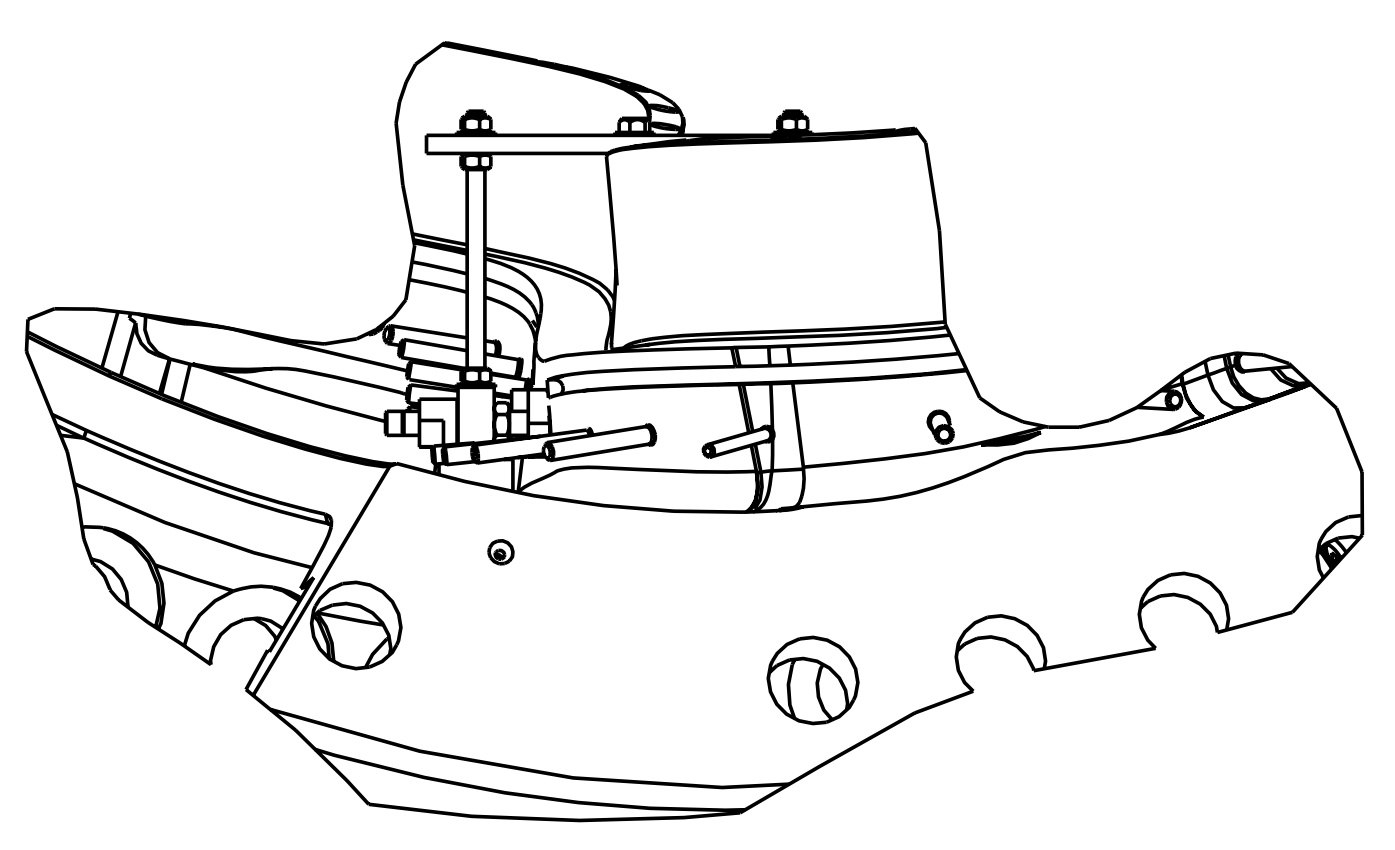


SECTION B-B
 SCALE 0.50

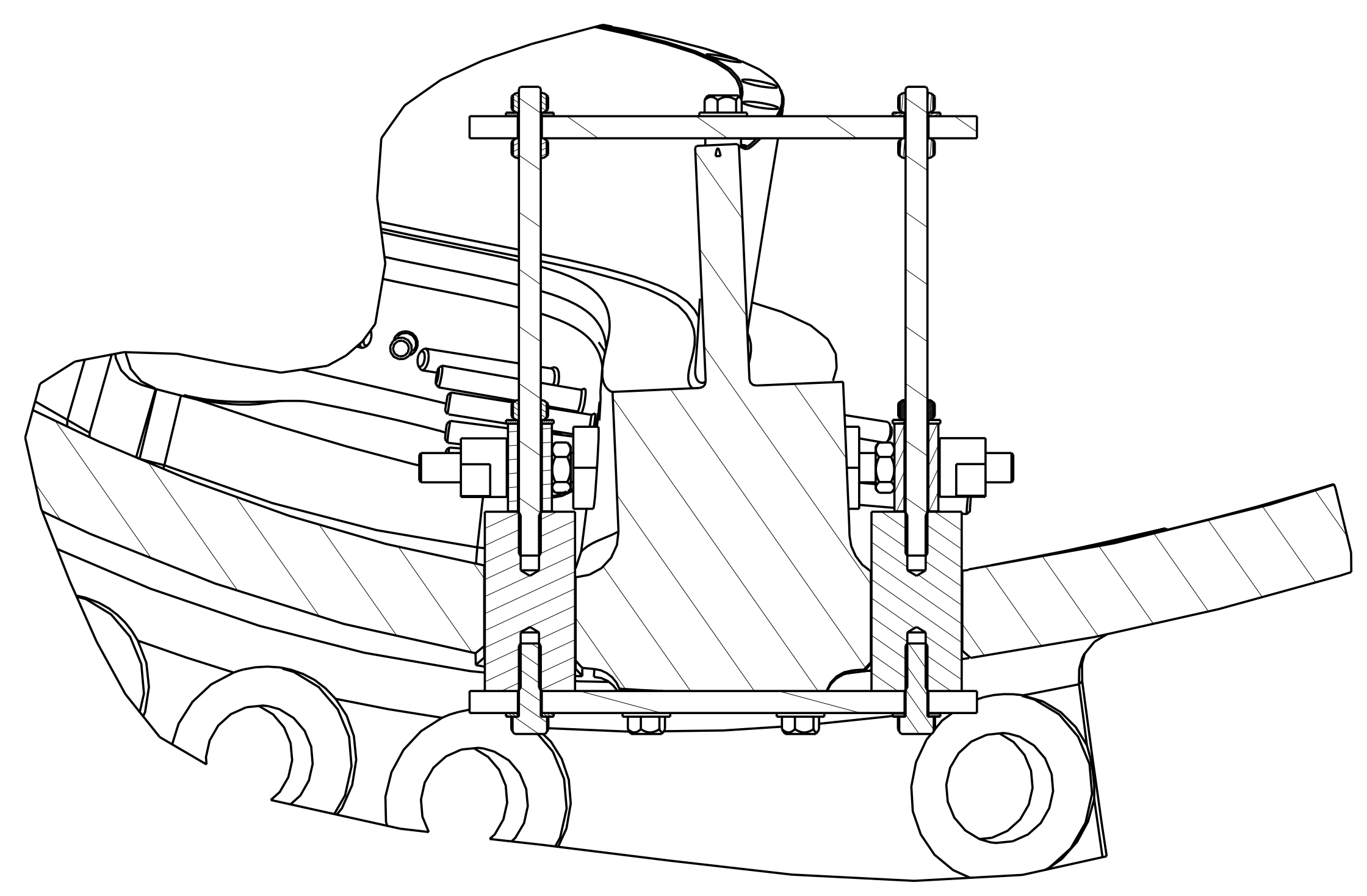


SCALE 0.50

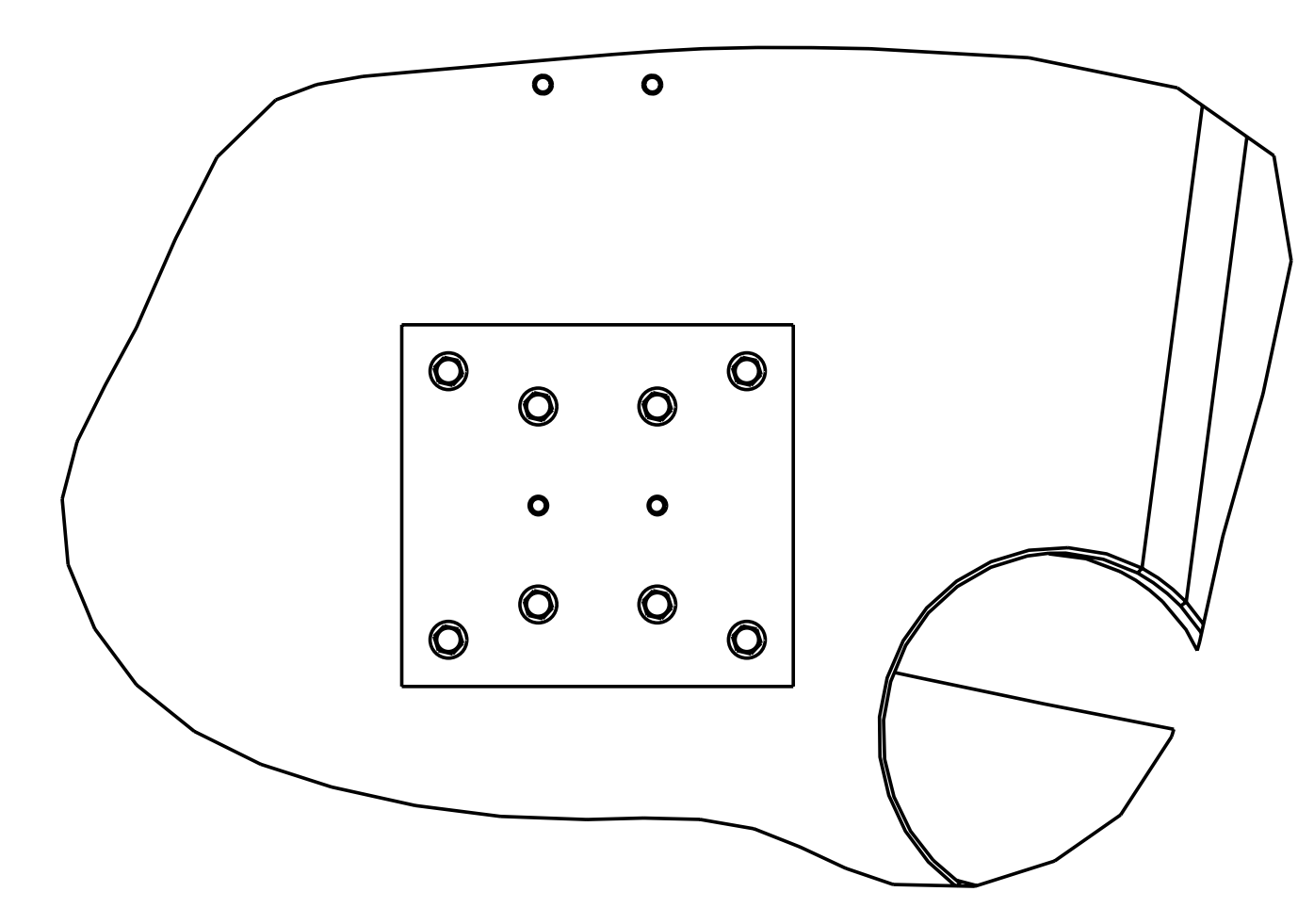
ISOMETRIC VIEW



SCALE 0.250



SECTION A-A
 SCALE 0.50



QTY	QTY	QTY	QTY	QTY	QTY
8	-19	HEX HD CAP SCREWS .375-16UNC-2A X 1.0 LG McMASTER-CARR 92941A624	BRASS		19
12	-18	NUT, 3/8 STANDARD HEX	C'STL ZN PLT		18
17	-17	WASHER, 3/8 FLAT	C'STL ZN PLT		17
4	-16	NUT, 1/2 STANDARD HEX	C'STL ZN PLT		16
9	-15	BOLT, 3/8 -16 UNC-2A X 2 HEX HD	BRASS		15
4	-14	ROD, 1/2 -13 UNC-2A X 3.0 LNG	C'STL ZN PLT		14
4	-13	ROD, 3/8-16 UNC-2A X 8.0 LNG	C'STL ZN PLT		13
1	SEI41-123-10		LEAD BLOCK MOUNT #4		12
1	SEI41-123-9		LEAD BLOCK MOUNT #3		11
1	SEI41-123-8		LEAD BLOCK MOUNT #2		10
4	SEI41-123-7		LEAD BLOCK MOUNT #1		9
1	SEI42C-287		NUT, CENTERING		8
1	SEI42C-286		TOP PLATE		7
2	SEI42C-285		BUSHING		6
4	SEI42C-284		SIDEBAR		5
4	SEI42C-282		POSTS		4
1	SEI42C-281		BOTTOM PLATE		3
1	SEI41-123		TYPE "C" MCWF		2
1	-1		FIXTURE ALIGNMENT ASSEMBLY		1

**RELEASED FOR
 FABRICATION / INSTALLATION**
 PPPL Drafting:

QTY	QTY	QTY	QTY	QTY	QTY
5	-	next assy			
		CAGE CODE	PART OR IDENTIFYING NO	NOMENCLATURE OR DESCRIPTION	MATERIAL SPECIFICATION
			NEXT ASSEMBLY		PARTS LIST

NO REPRESENTATION OR WARRANTY, EXPRESSED OR IMPLIED, IS MADE AS TO THE ACCURACY, COMPLETENESS OR USEFULNESS OF THE INFORMATION OR STATEMENTS CONTAINED IN THESE DRAWINGS, OR THAT THE USE OR DISCLOSURE OF ANY INFORMATION, APPARATUS, METHOD OR PROCESS DISCLOSED IN THESE DRAWINGS MAY NOT INFRINGE PRIVATE RIGHTS OF OTHERS. NO LIABILITY IS ASSUMED WITH RESPECT TO THE USE OF, OR FOR DAMAGES RESULTING FROM THE USE OF, ANY INFORMATION, APPARATUS, METHOD OR PROCESS DISCLOSED IN THESE DRAWINGS. DRAWINGS MADE AVAILABLE FOR INFORMATION TO BIDDER ARE NOT TO BE USED FOR OTHER PURPOSES, AND ARE TO BE RETURNED UPON REQUEST OF THE FORWARDING CONTRACTOR.

P THIS DRAWING PRODUCED ON PRO-ENGINEER

REV	DESCRIPTION	BY	DATE	CHK	DEPT	DATE	PE	REQ	DATE	ORNL	DOE	DATE

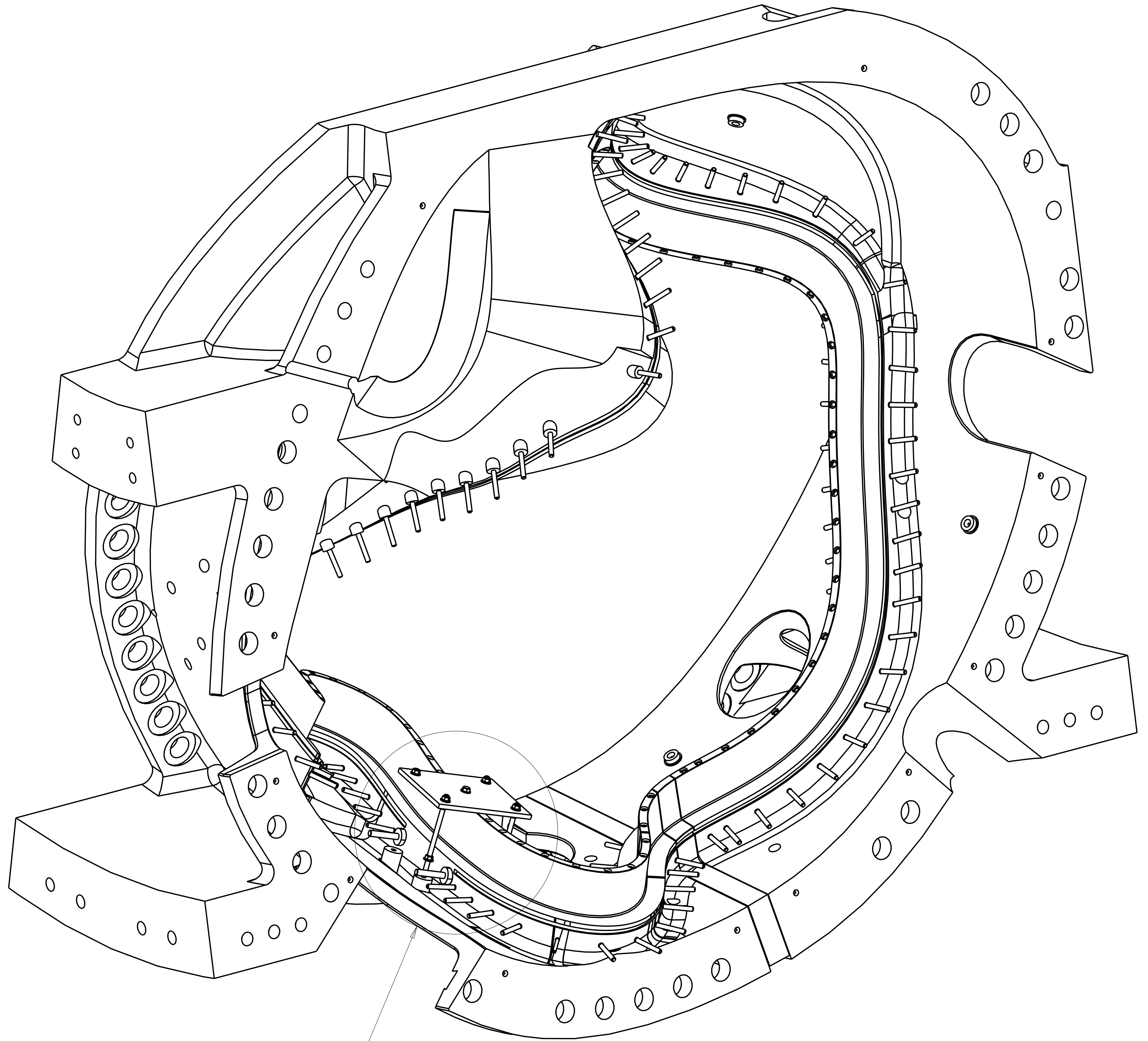
SCALE NOTED
 TOLERANCES UNLESS OTHERWISE SPECIFIED
 FRACTIONS ±.01
 XX DECIMALS ±.005
 XXX DECIMALS ±.0015
 ANGLES ±0'15"
 BREAK SHARP EDGES .06 MAX
 FINISH .125 UNLESS OTHERWISE SPECIFIED

DES: PJ FOGARTY 8-05
 DRW: G LOVETT 8-05
 CHK: :
 SECT: :
 DEPT: :
 PE: D WILLIAMSON 8-05
 CR: :
 PJ: :
 RD: :
 PPPL DRFT J SIEGEL 8-05

UT-BATTELLE
 NATIONAL COMPACT STELLARATOR EXPERIMENT
 FIXTURE ALIGNMENT ASSEMBLY

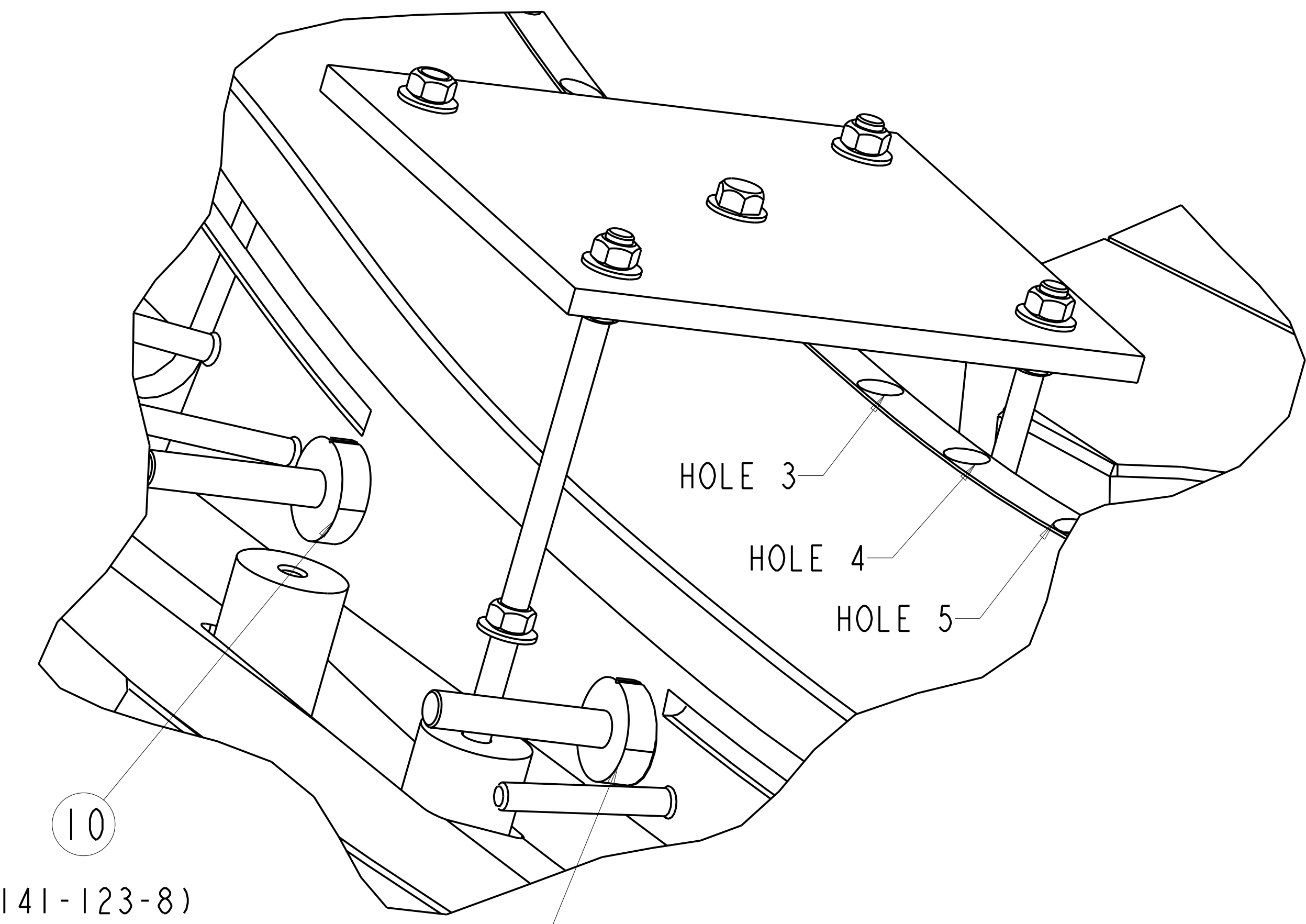
VERSION NO.	PLANT	BLDG	FL	SHT OF	TYPE	CLASS
13	X-10	5700	3	1	3	U

RELEASE LEVEL: Fabrication
 SEI42C-280
 REV 0



SEE DETAIL A

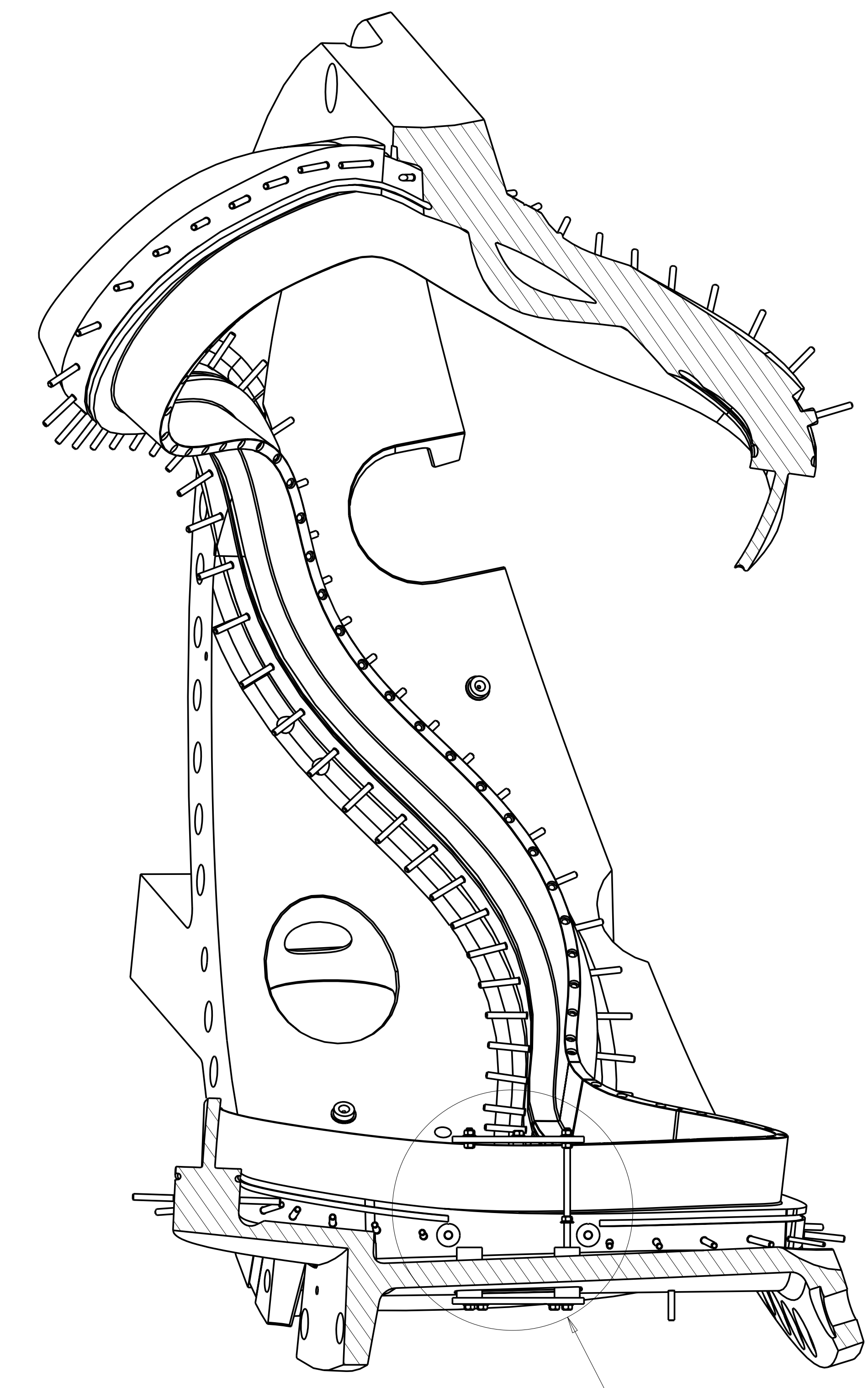
SIDEBAR, FN 5 AND THREADED ROD
 REMOVED TO SHOW FN 10 AND 11
 SCALE 0.188



(SE141-123-8)

(SE141-123-9)

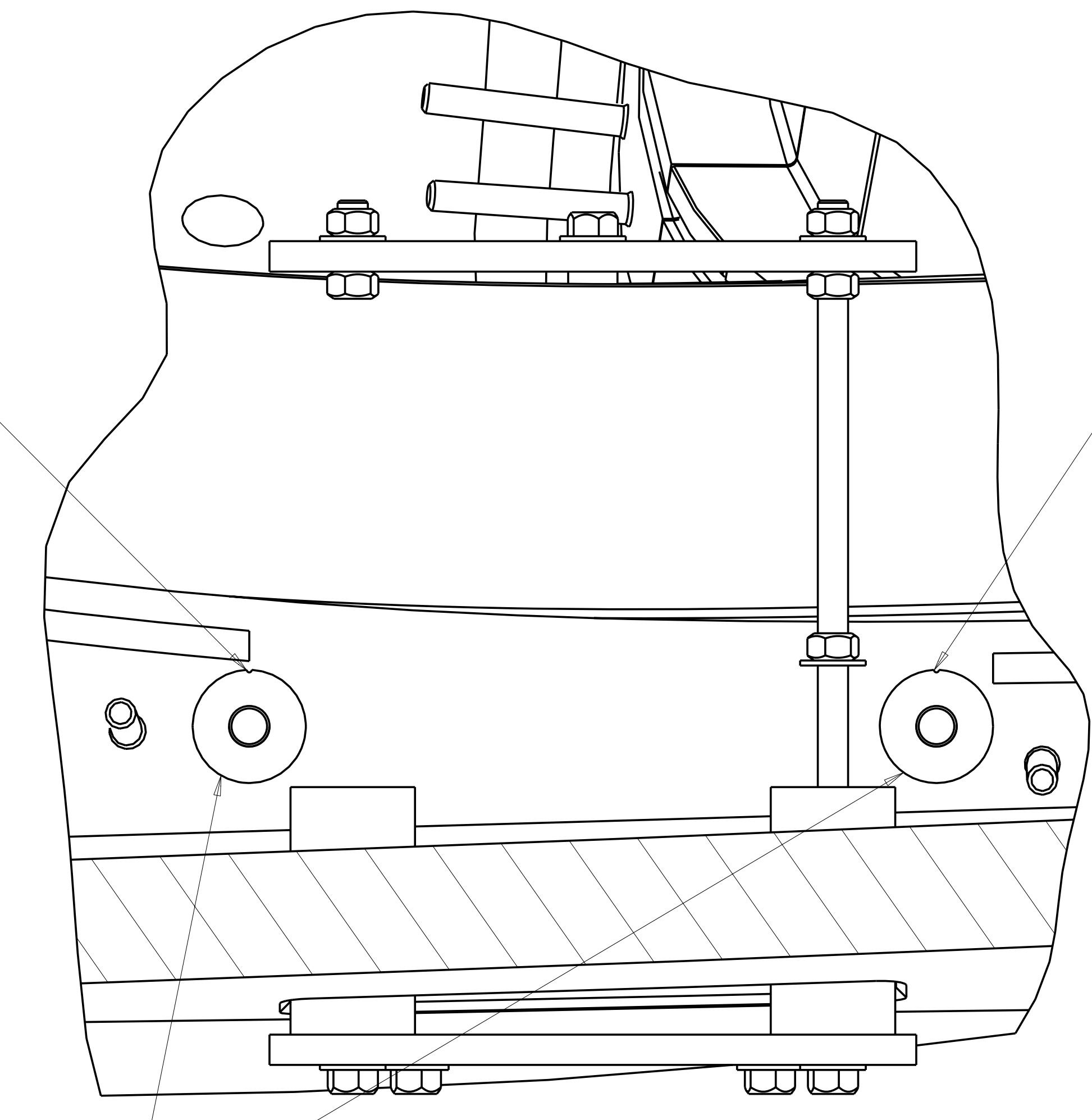
DETAIL A
 SCALE 0.750



SECTION C-C
 SCALE 0.188
 SEE DETAIL B

SLOT LOCATION

SLOT LOCATION



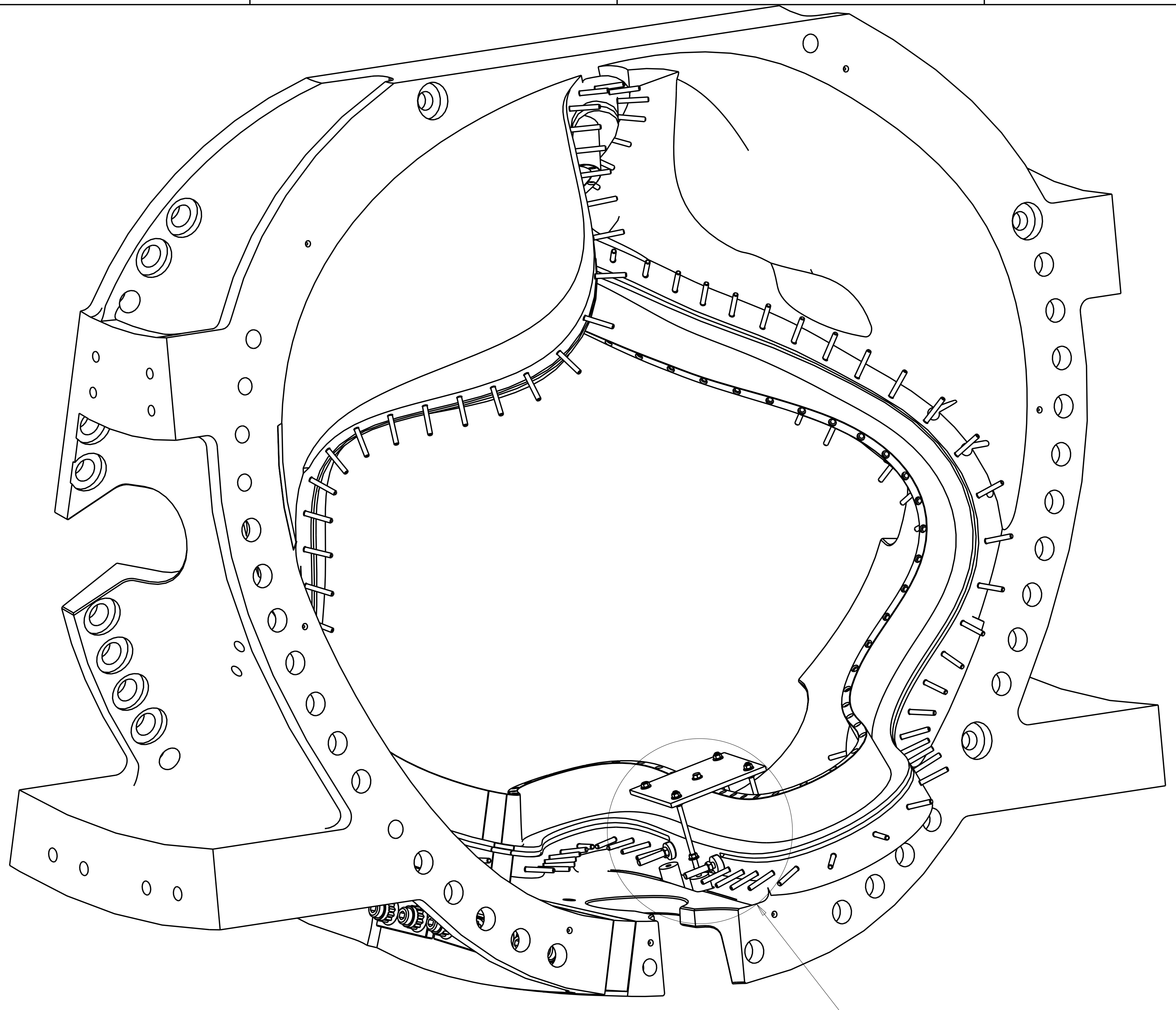
ORIENT SLOT IN FIND NO. 10 AND 11
 IN A VERTICAL ORIENTATION
 AS SHOWN IN DETAIL "B"

DETAIL B
 SCALE 0.750

RELEASED FOR
 FABRICATION / INSTALLATION
 PPPL Drafting

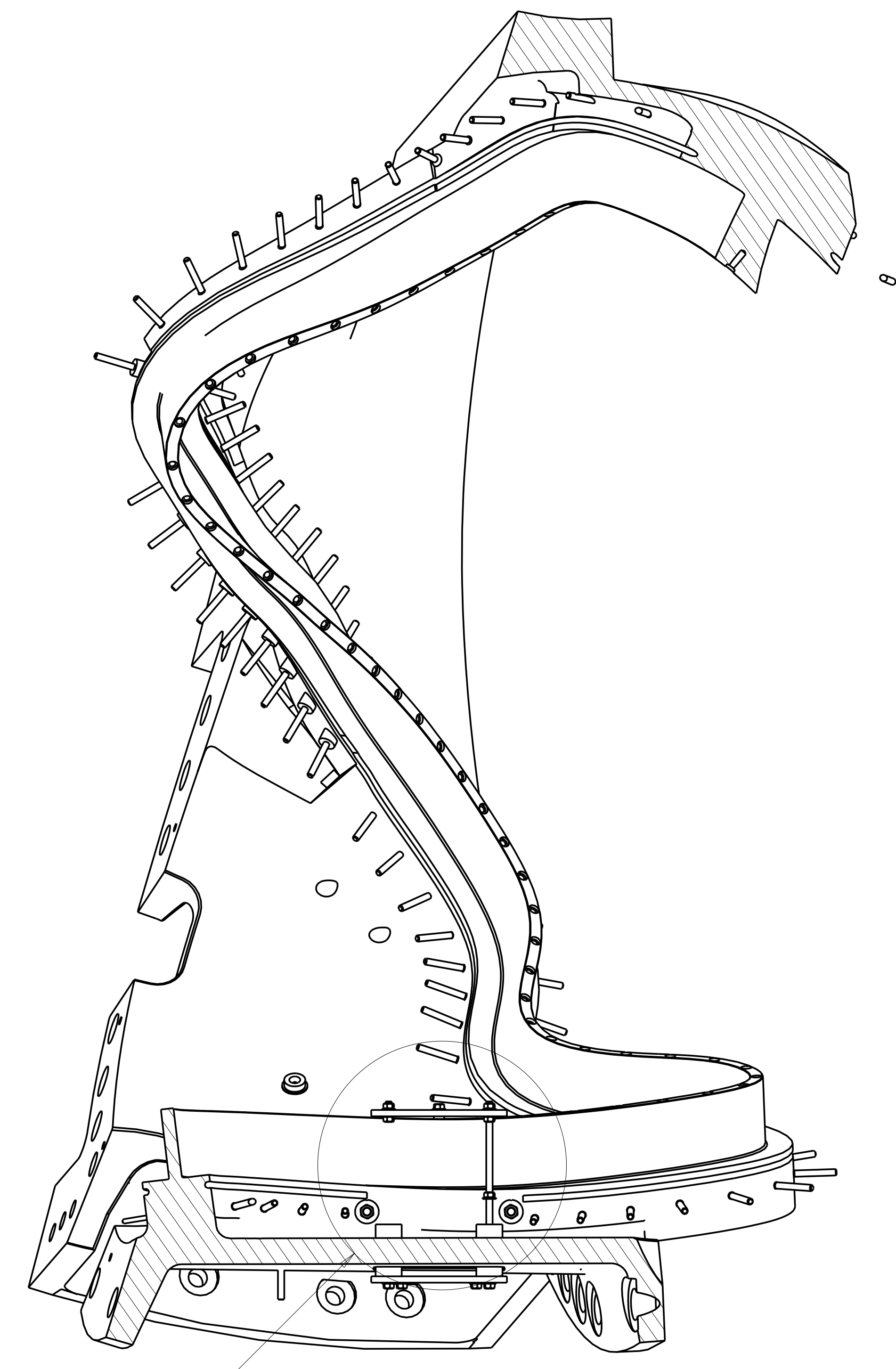
Oak Ridge National Laboratory managed for the DEPARTMENT OF ENERGY under U.S. GOVERNMENT contract DE-AC05-00OR22725 UT-BATTELLE, LLC, Oak Ridge, Tennessee							
PROJECT NAME NATIONAL COMPACT STELLARATOR EXPERIMENT							
FIXTURE ALIGNMENT ASSEMBLY							
VERSION NO.	PLANT	BLDG	FL	SHT OF	TYPE	CLASS	
13	X-10	5700	3	2	3	S	U
RELEASE LEVEL		SE142C-280				REV 0	
Fabrication							

SE142C-280



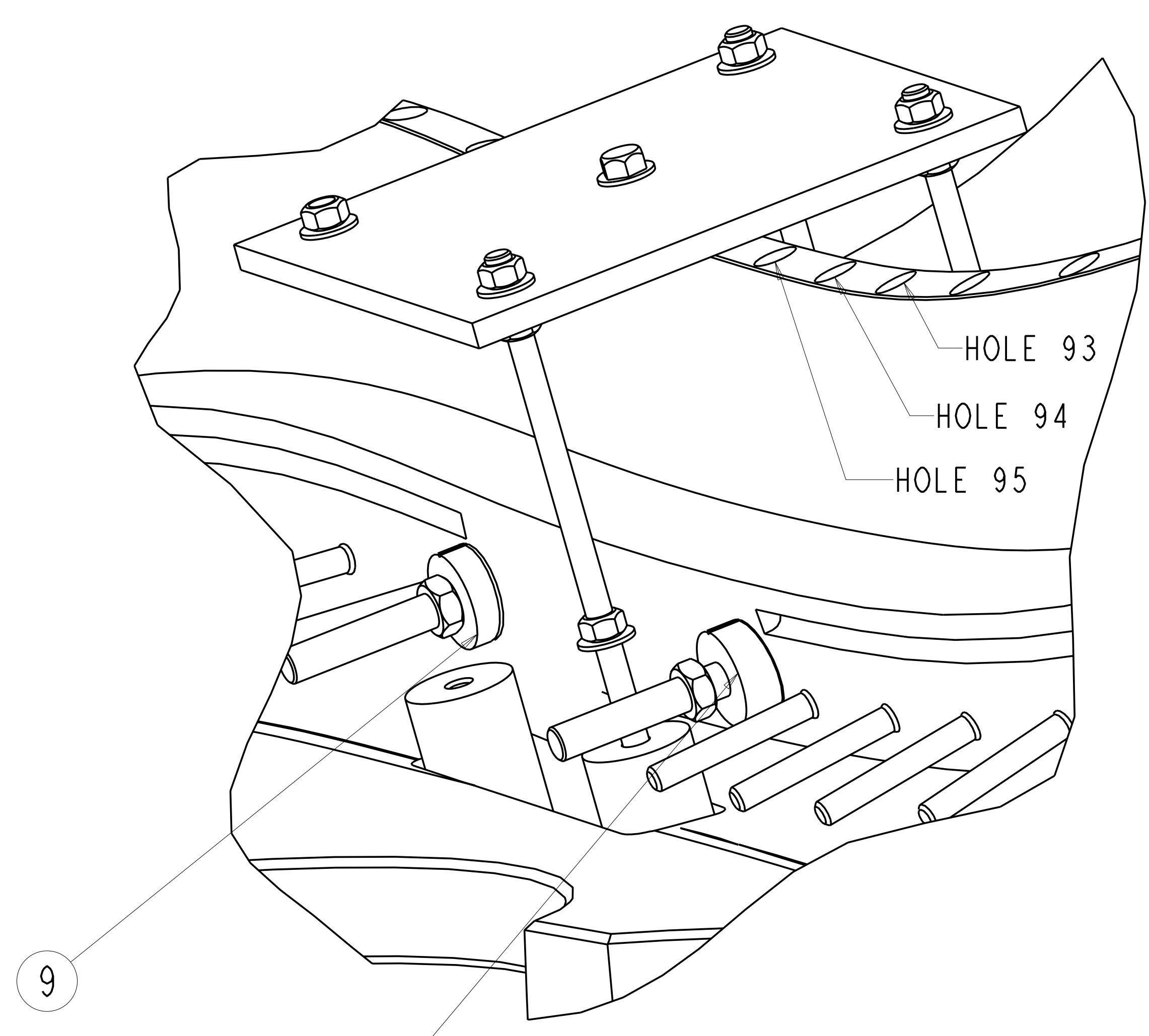
SIDEBAR, FN5, AND THREADED ROD
REMOVED TO SHOW FN 9 AND 12
SCALE 0.188

SEE DETAIL C



SECTION D-D
SCALE 0.188

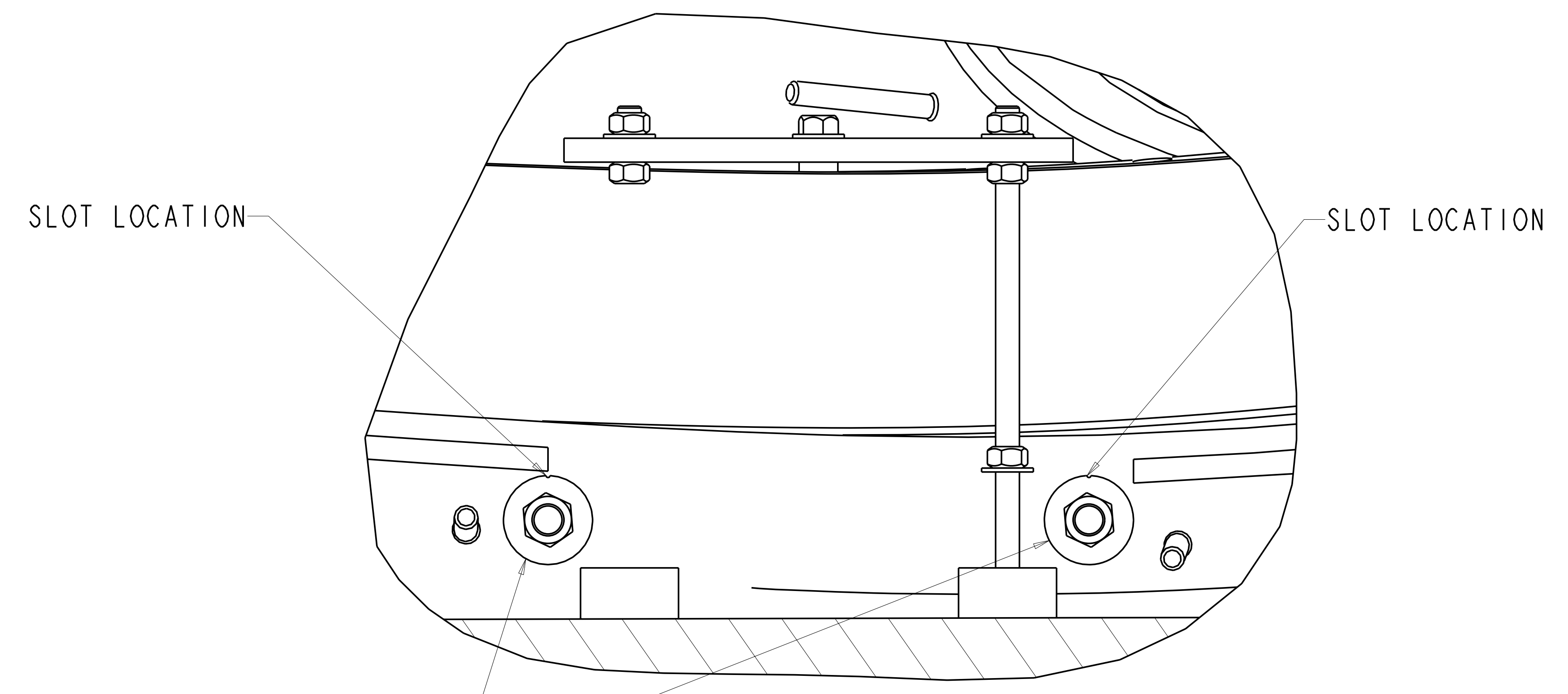
SEE DETAIL D



(SE143-123-7)

(SE141-123-10)

DETAIL C
SCALE 0.750



ORIENT SLOT IN FIND NO. 9 AND 12
IN A VERTICAL ORIENTATION
AS SHOWN IN DTAIL "C"

DETAIL D
SCALE 0.750

**RELEASED FOR
FABRICATION / INSTALLATION**
PPPL Drafting:

UT-BATTELLE		Oak Ridge National Laboratory managed for the DEPARTMENT OF ENERGY under U.S. GOVERNMENT contract DE-AC05-00OR22725 UT-BATTELLE, LLC, Oak Ridge, Tennessee	
PROJECT NAME NATIONAL COMPACT STELLARATOR EXPERIMENT			
FIXTURE ALIGNMENT ASSEMBLY			
VERSION NO. 14	PLANT X-10	BLDG 5700	FL SHT OF TYPE CLASS 3 3 3 S U
RELEASE LEVEL Fabrication		SE142C-280 REV 0	

SE142C-280