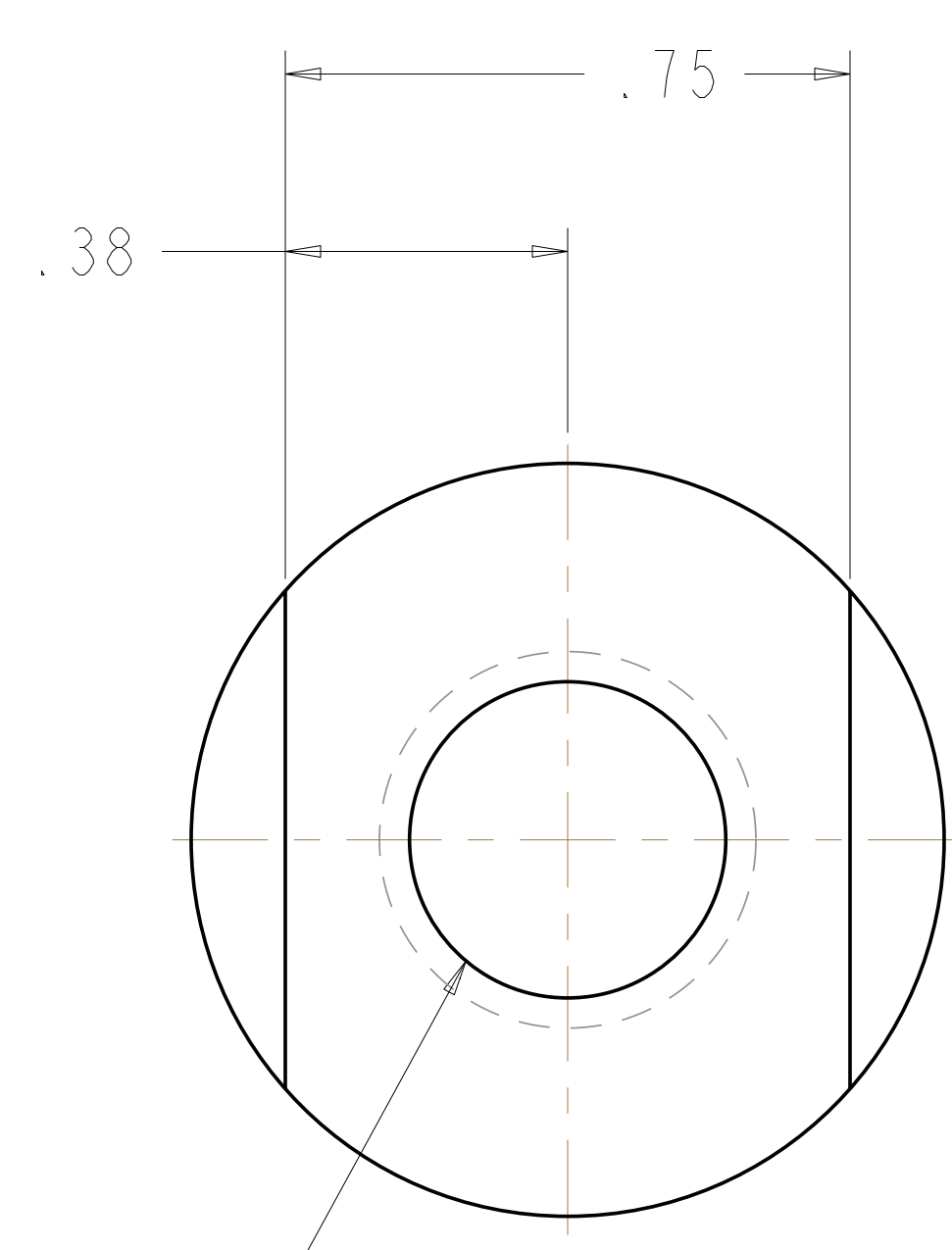
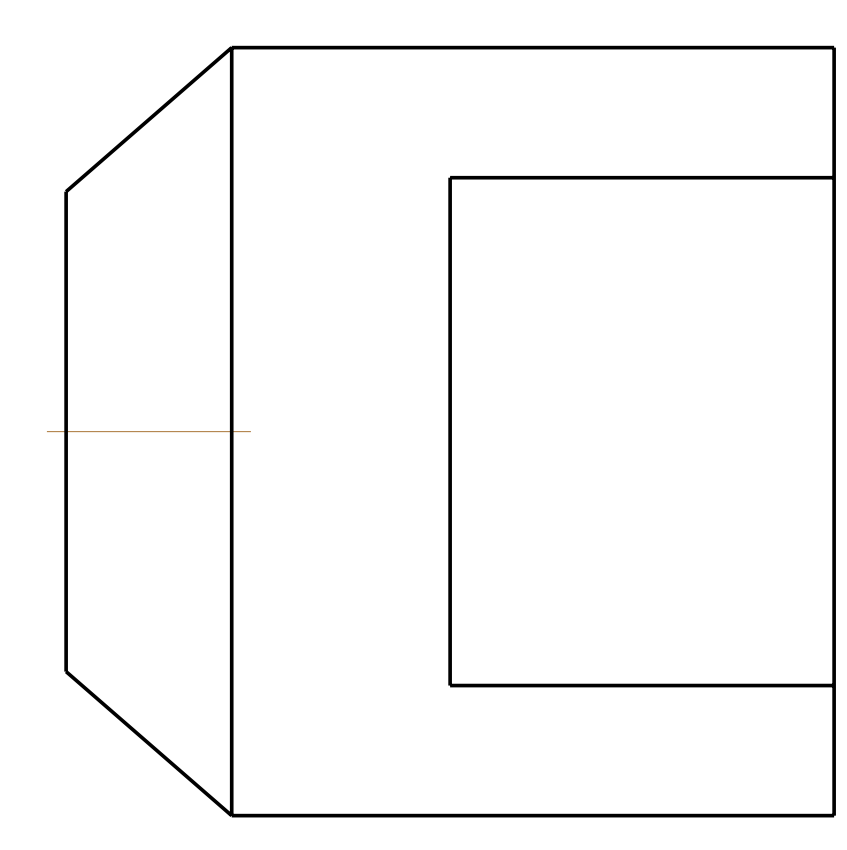
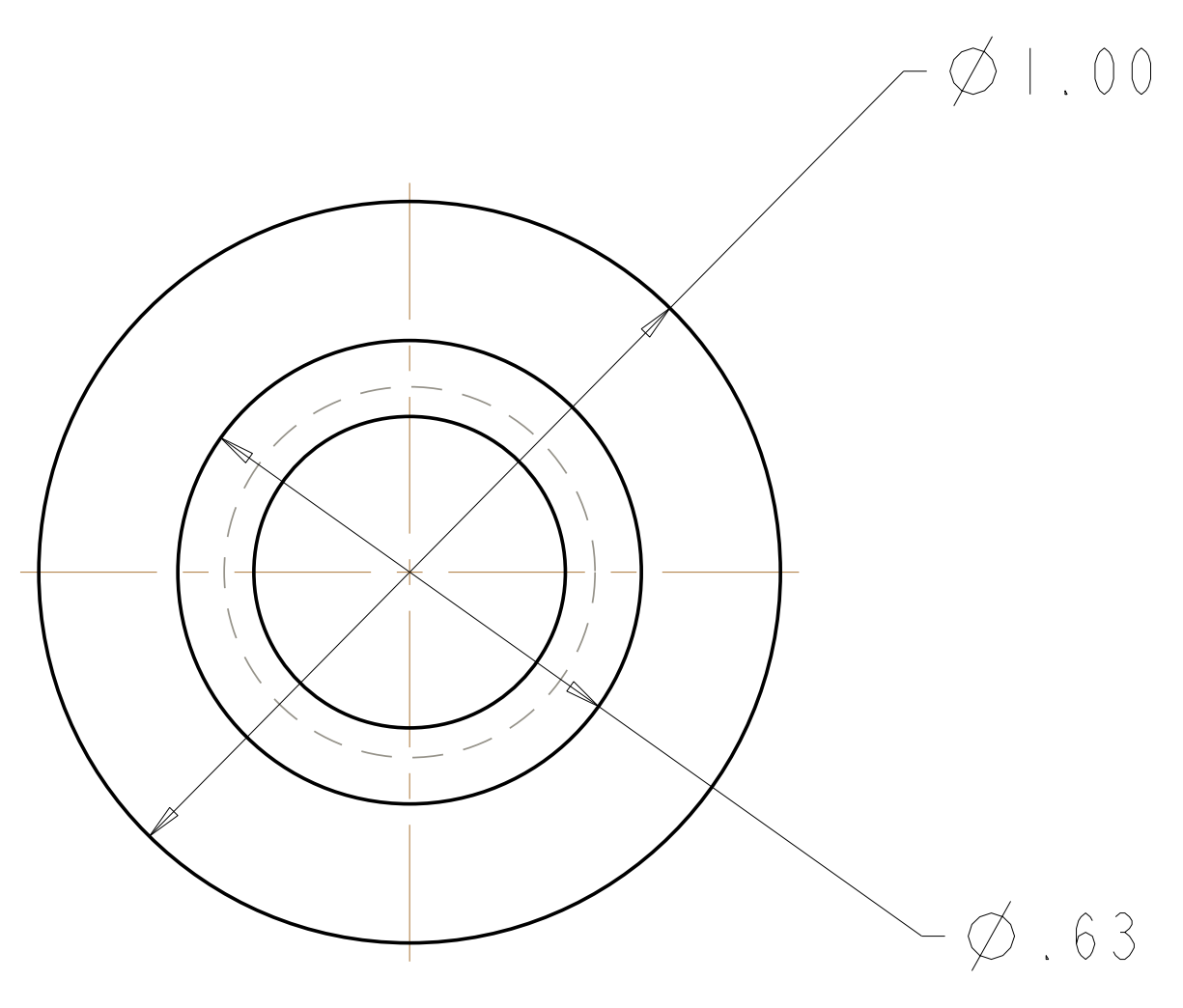
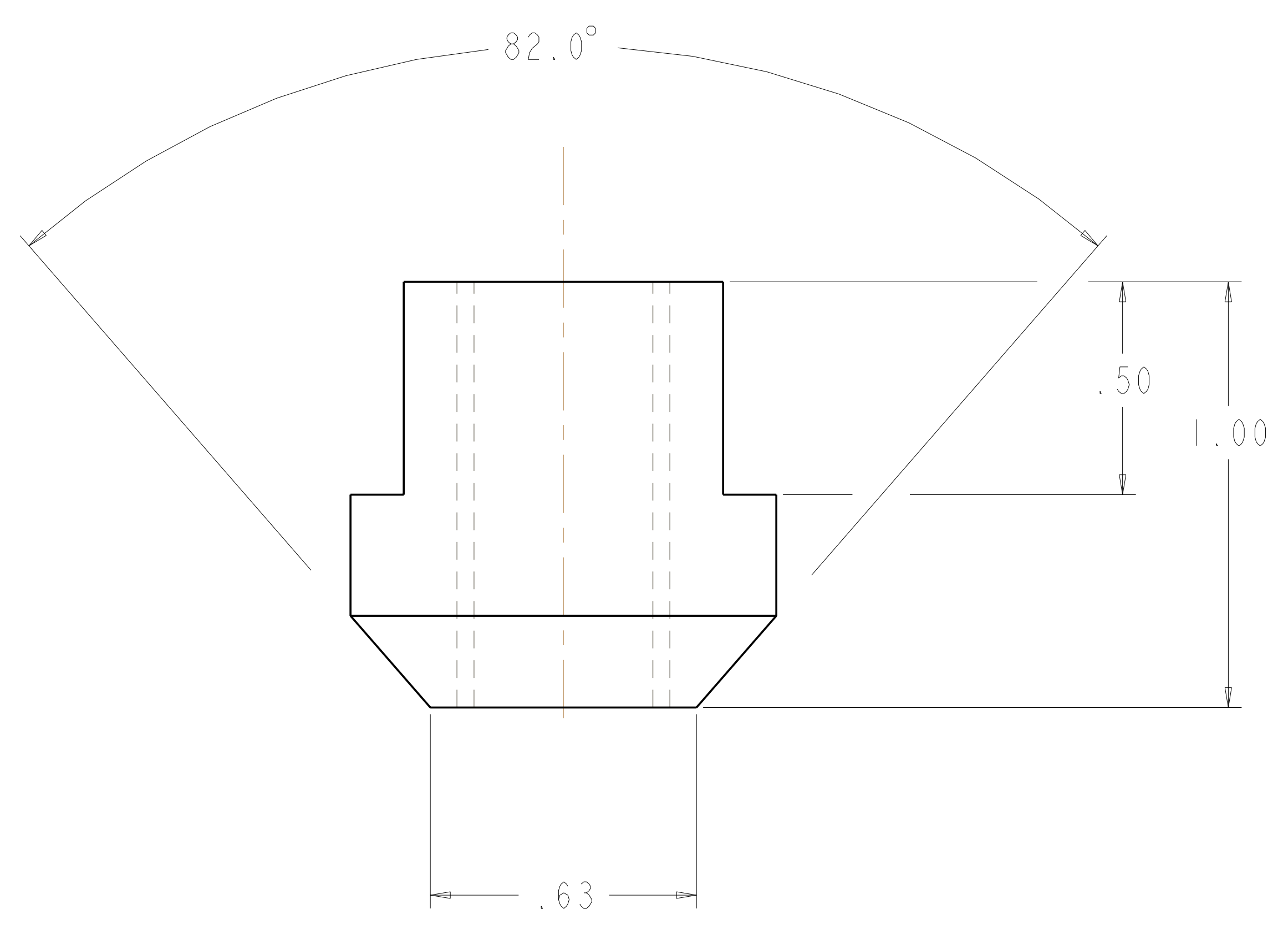
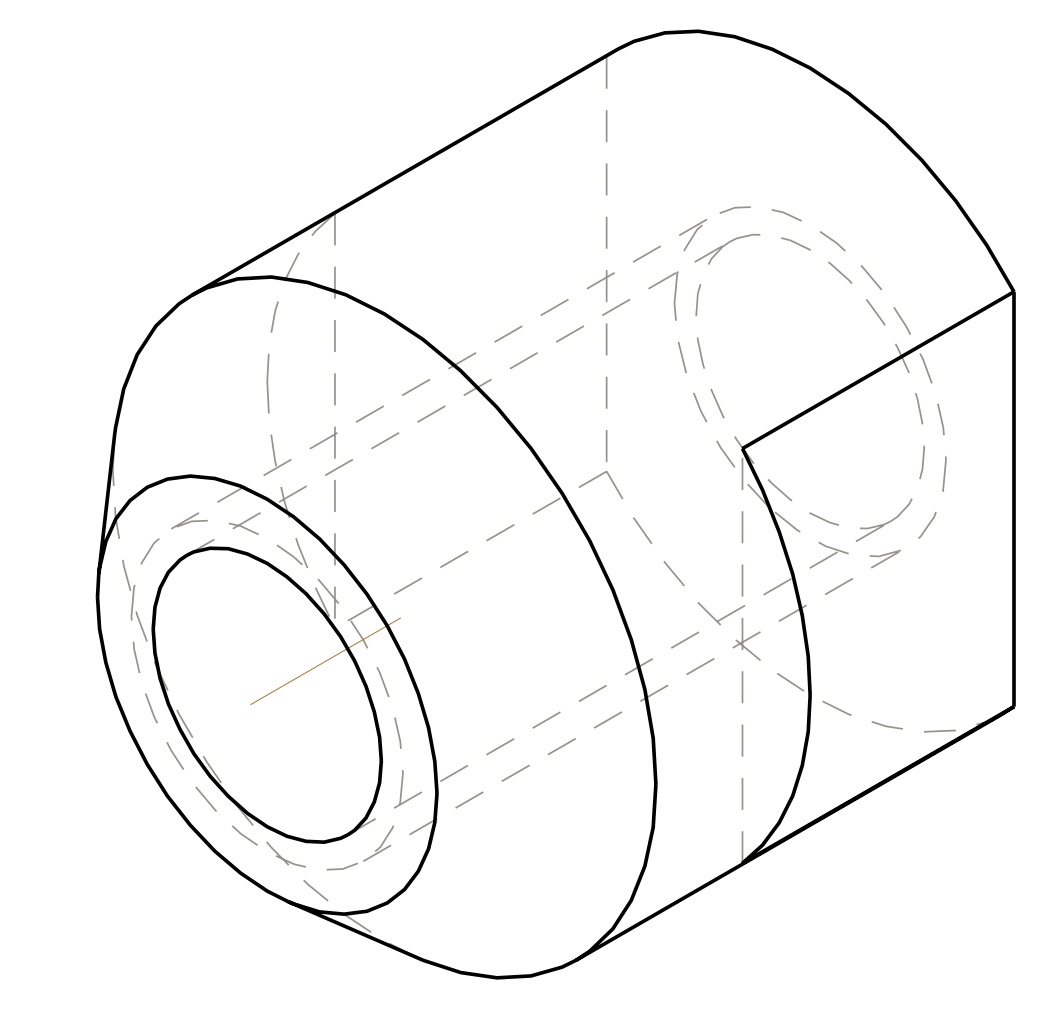


- NOTES:
1. DRAWING PREPARED IN ACCORDANCE WITH ASME Y14.100-2004.
  2. INTERPRET DIMENSIONS AND TOLERANCES PER ANSI Y14.5M-1994
  3. DIMENSIONS ARE IN INCHES
  4. DIMENSIONS APPLY AT ROOM TEMPERATURE.



.50-13UNC 2B TAP THRU



ISOMETRIC VIEW  
 SCALE 4.00

1  
 SCALE 4.00

**RELEASED FOR  
 FABRICATION / INSTALLATION**  
 PPPL Drafting:

next assy	SEI42C-280	-1	NUT, CENTERING	UNS C36000 HALF HARD (BRASS)	ASTM B16/B 16M-05	I
CAGE CODE	PART OR IDENTIFYING NO	NOMENCLATURE OR DESCRIPTION	MATERIAL	SPECIFICATION	FIND NO	
	NEXT ASSEMBLY	PARTS LIST				

NO REPRESENTATION OR WARRANTY, EXPRESSED OR IMPLIED, IS MADE AS TO THE ACCURACY, COMPLETENESS OR USEFULNESS OF THE INFORMATION OR STATEMENTS CONTAINED IN THESE DRAWINGS, OR THAT THE USE OR DISCLOSURE OF ANY INFORMATION, APPARATUS, METHOD OR PROCESS DISCLOSED IN THESE DRAWINGS MAY NOT INFRINGE PRIVATE RIGHTS OF OTHERS. NO LIABILITY IS ASSUMED WITH RESPECT TO THE USE OF, OR FOR DAMAGES RESULTING FROM THE USE OF, ANY INFORMATION, APPARATUS, METHOD OR PROCESS DISCLOSED IN THESE DRAWINGS. DRAWINGS MADE AVAILABLE FOR INFORMATION TO BIDDER ARE NOT TO BE USED FOR OTHER PURPOSES, AND ARE TO BE RETURNED UPON REQUEST OF THE FORWARDING CONTRACTOR.

**P** THIS DRAWING PRODUCED ON PRO-ENGINEER

REV	DESCRIPTION	BY	DATE	CHK	DEPT	DATE	PE	REQ	DATE	ORNL	DOE	DATE

SCALE NOTED	DES: PJ FOGARTY	8-05
TOLERANCES UNLESS OTHERWISE SPECIFIED	DRW: G LOVETT	8-05
FRACTIONS	CHK: M COLE	10-05
XX DECIMALS ± .01	SECT: :	:
XXX DECIMALS ± .005	DEPT: :	:
ANGLES ± 0°15'	PE: D WILLIAMSON	10-05
FINISH .125 UNLESS OTHERWISE SPECIFIED	CR: :	:
	PJ: :	:
	REO: :	:
	PPPL DRFT: J SIEGEL	10-05
	:	:
	:	:
	DATE	

<b>UT-BATTELLE</b>		Oak Ridge National Laboratory managed for the DEPARTMENT OF ENERGY under U.S. GOVERNMENT contract DE-AC05-00OR22725 UT-BATTELLE, LLC, Oak Ridge, Tennessee	
NATIONAL COMPACT STELLARATOR EXPERIMENT			
FIXTURE ALIGNMENT CENTERING NUT			
VERSION NO.	PLANT	BLDG	FL
3	X-10	5700	3
RELEASE LEVEL	SHT OF	TYPE	CLASS
Fabrication	1	I	S U
SEI42C-287	REV	NO	
	0		