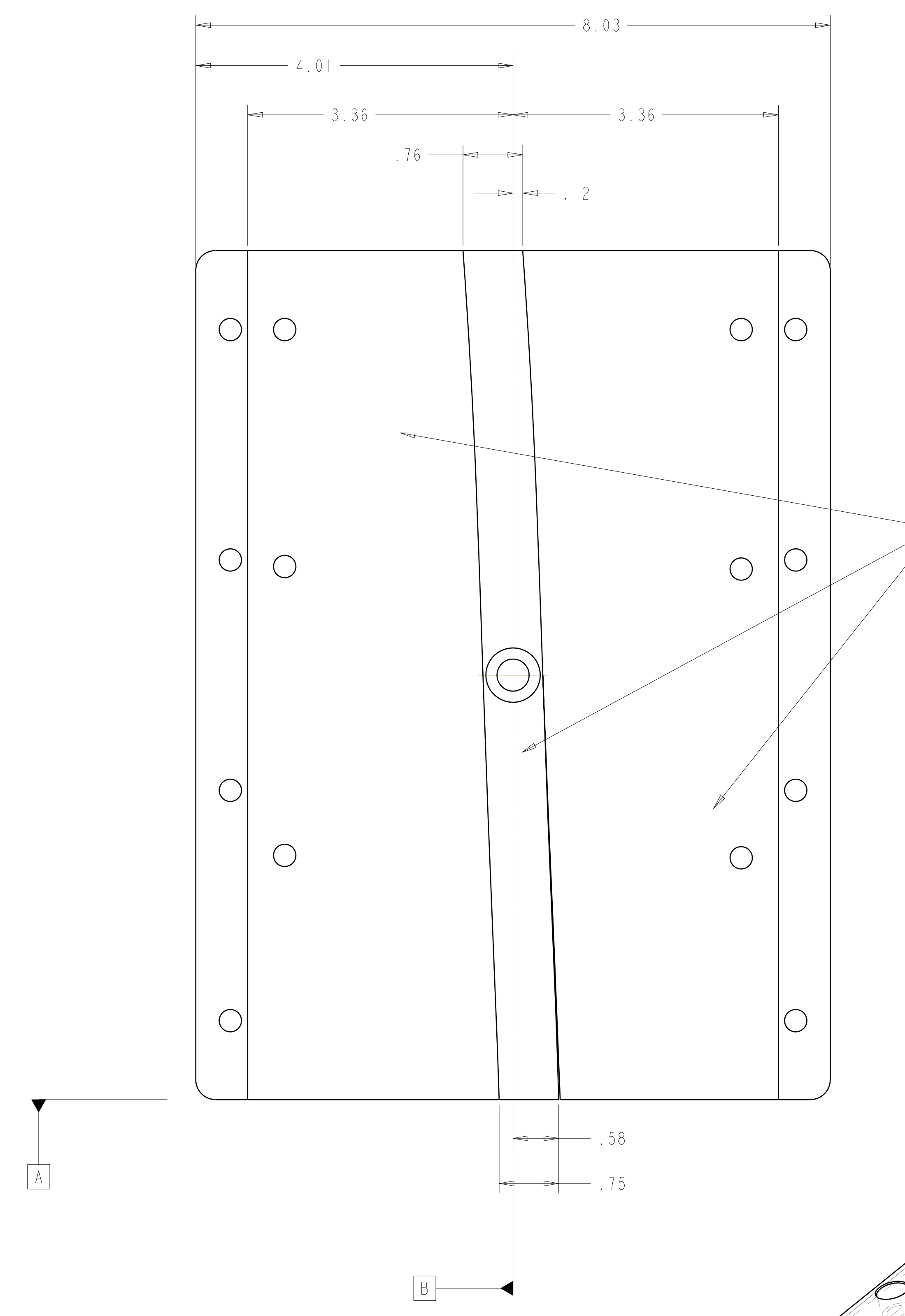
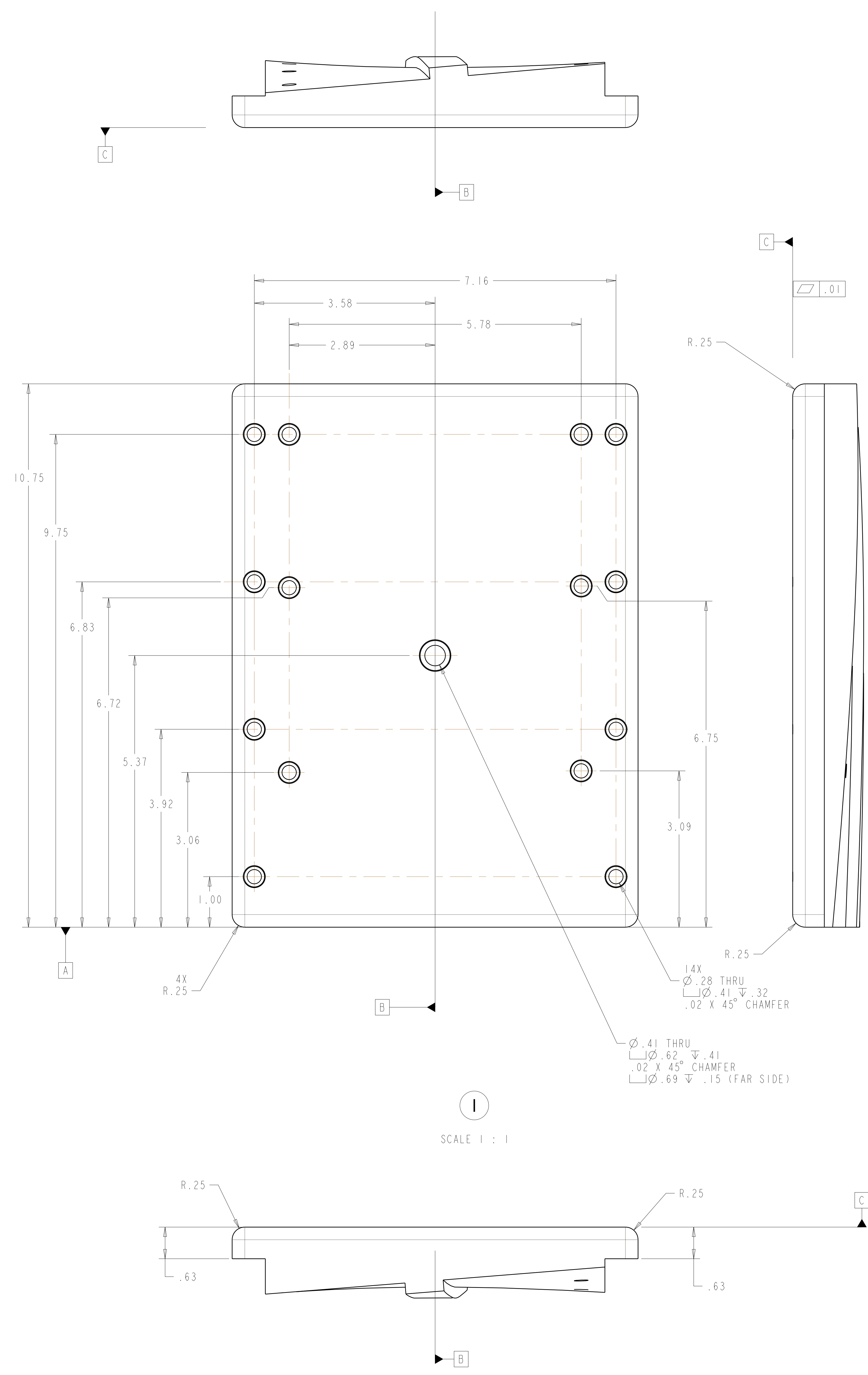
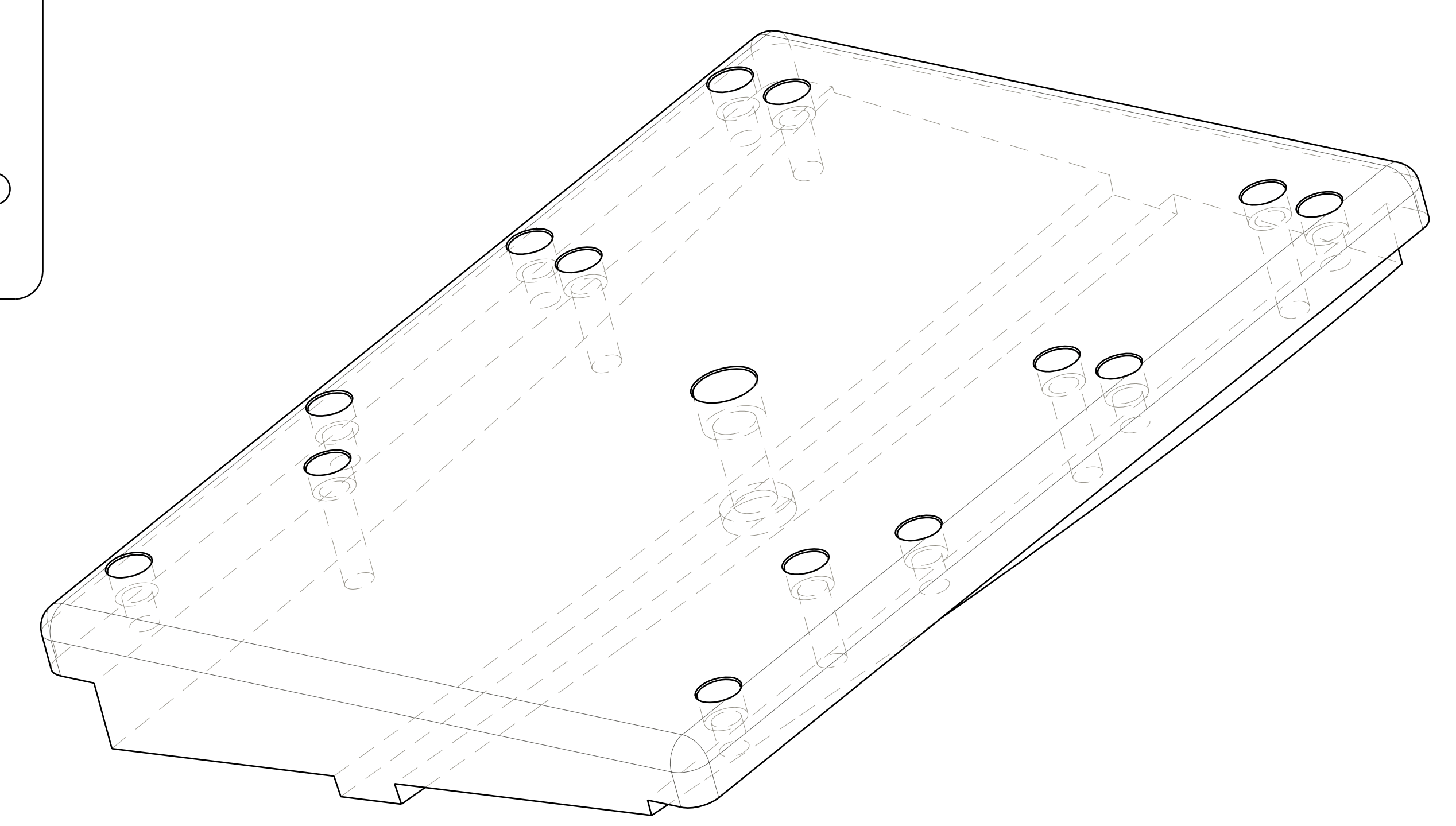


- NOTES:
 1. INTERPRET DIMENSIONS AND TOLERANCES PER ANSI Y14.5M
 2. DIMENSIONS ARE IN INCHES
 3. DIMENSIONS APPLY AT ROOM TEMPERATURE. OPERATING TEMP 80 K.
 4. GEOMETRY IS DEFINED IN PRO ENGINEER CAD MODELS/FILES SEI42C-184.PRT
 5. DRAWING AND MODELS COMBINED DEFINE FINISHED MACHINED PART.



USE CAD MODEL TO DETERMINE SURFACE



ISOMETRIC VIEW

RELEASED FOR FABRICATION / INSTALLATION
 PPPL Drafting:

AR	-1	TOP PLATE	NEMA GRADE G-IICR	
SEI40-103		PART OR IDENTIFYING NO	MATERIAL / SPECIFICATION	FIND NO
		NEXT ASSEMBLY	PARTS LIST	

NO REPRESENTATION OR WARRANTY, EXPRESSED OR IMPLIED, IS MADE AS TO THE ACCURACY, COMPLETENESS OR USEFULNESS OF THE INFORMATION OR STATEMENTS CONTAINED IN THESE DRAWINGS, OR THAT THE USE OR DISCLOSURE OF ANY INFORMATION, APPARATUS, METHOD OR PROCESS DISCLOSED IN THESE DRAWINGS MAY NOT INFRINGE PRIVATE RIGHTS OF OTHERS. NO LIABILITY IS ASSUMED WITH RESPECT TO THE USE OF, OR FOR DAMAGES RESULTING FROM THE USE OF, ANY INFORMATION, APPARATUS, METHOD OR PROCESS DISCLOSED IN THESE DRAWINGS. DRAWINGS MADE AVAILABLE FOR INFORMATION TO BIDDER ARE NOT TO BE USED FOR OTHER PURPOSES, AND ARE TO BE RETURNED UPON REQUEST OF THE FORWARDING CONTRACTOR.

P THIS DRAWING PRODUCED ON PRO-ENGINEER

REV	DESCRIPTION	BY	DATE	CHK	DEPT	DATE	PE	REQ	DATE	ORNL	DOE	DATE

SCALE NOTED	DES: P J FOGARTY 06/05
TOLERANCES UNLESS OTHERWISE SPECIFIED	DRW: GARY LOVETT 06/05
FRACTIONS	CHK: M COLE 06/05
XX DECIMALS ±.01	SECT: :
XXX DECIMALS ±.005	DEPT: :
ANGLES ±0°15'	PE: D WILLIAMSON 06/05
BREAK SHARP EDGES .06 MAX	CR: :
FINISH .125 UNLESS OTHERWISE SPECIFIED	PJ: :
	RED: :
	PPPL DRFT J SIEGEL 06/05
	VERSION NO. 7
	PLANT X-10
	BLDG 5700
	FL 3
	SHT OF 1
	TYPE I S
	CLASS U
	RELEASE LEVEL Fabrication
	REV 0

UT-BATTELLE	Oak Ridge National Laboratory managed for the DEPARTMENT OF ENERGY under U.S. GOVERNMENT contract DE-AC05-00OR22725 UT-BATTELLE, LLC. Oak Ridge, Tennessee
NATIONAL COMPACT STELLARATOR EXPERIMENT	
MODULAR COILTYPE-C LEADS ENCLOSURE TOP PLATE DETAILS	
VERSION NO. 7	PLANT X-10
BLDG 5700	FL 3
SHT OF 1	TYPE I S
CLASS U	REV 0
RELEASE LEVEL Fabrication	SEI42C-184