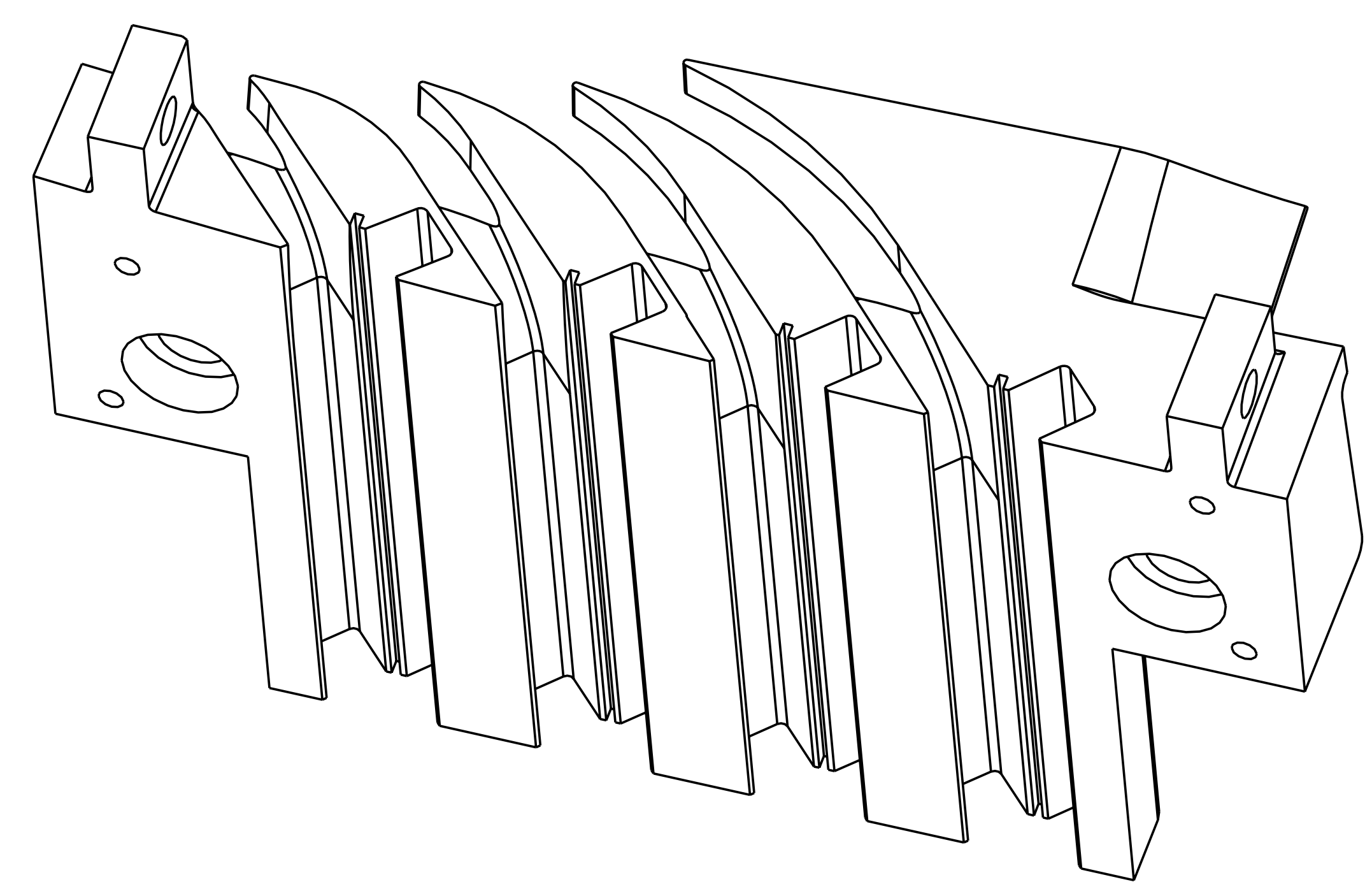
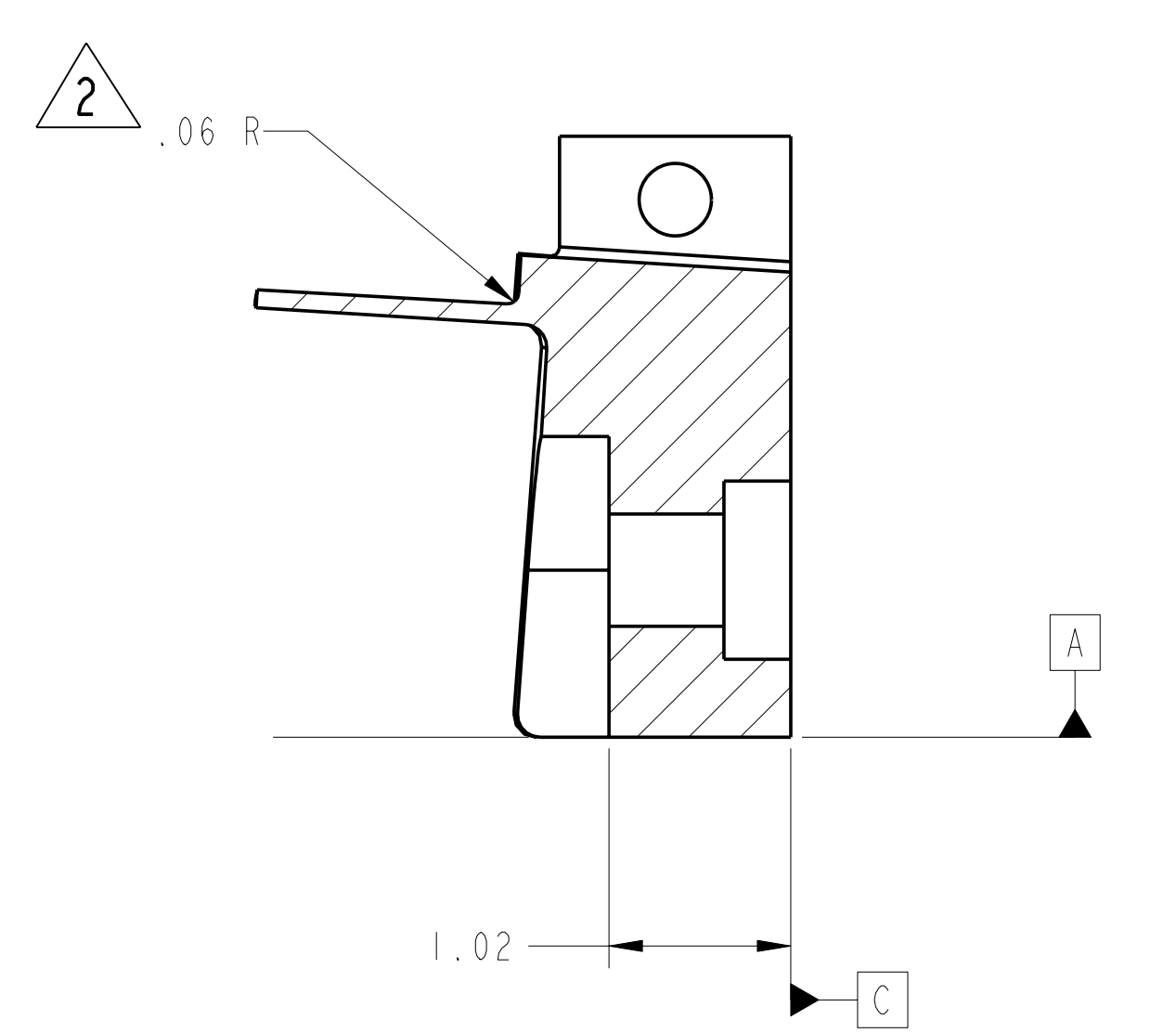
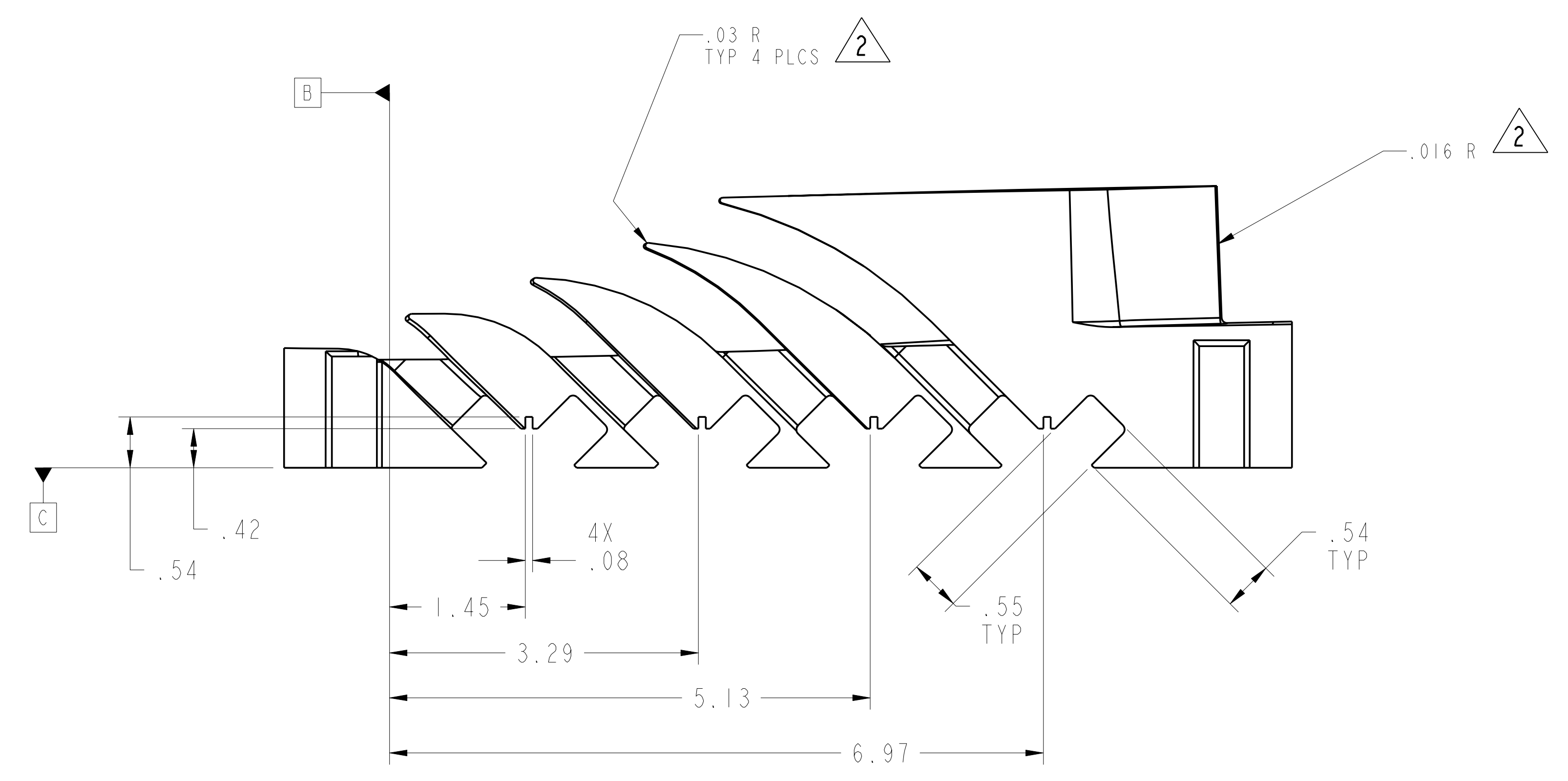


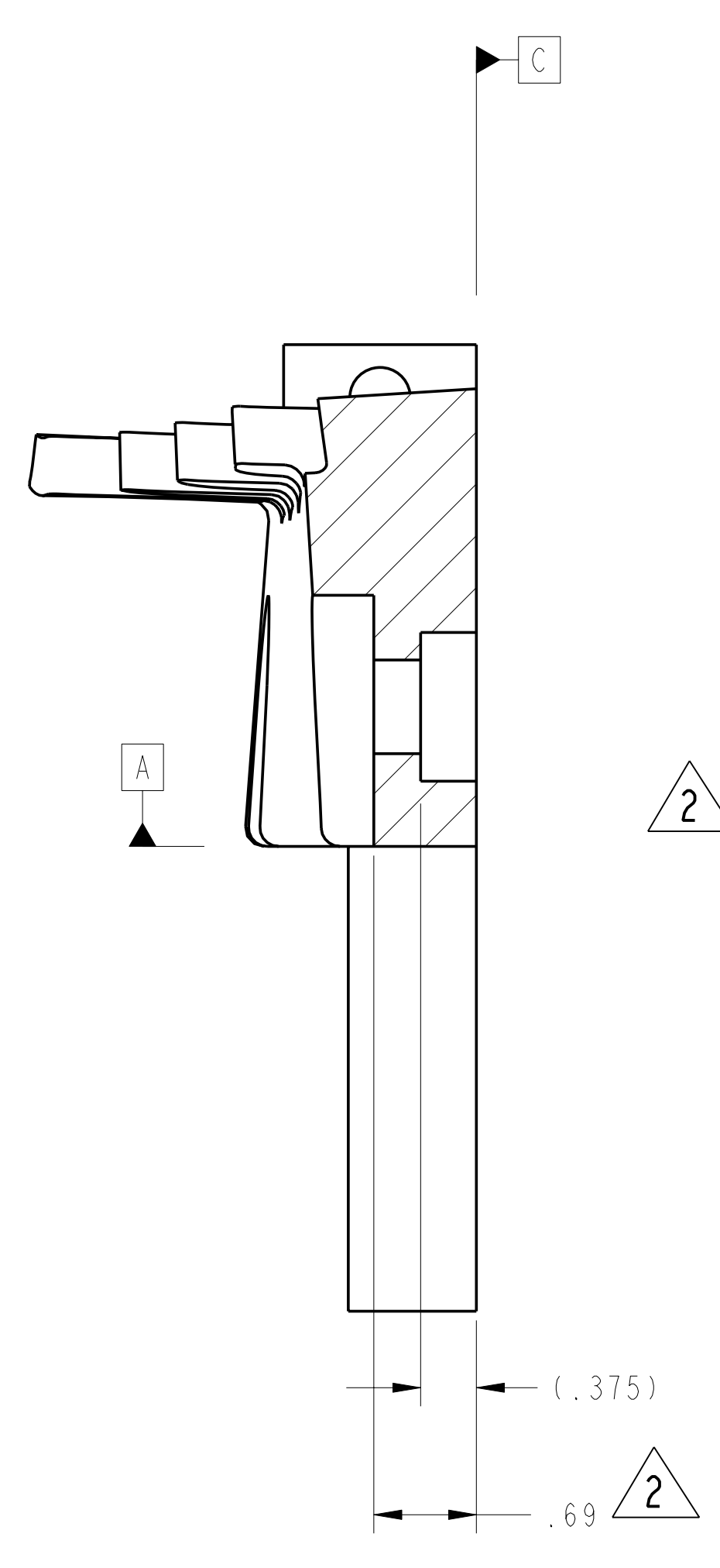
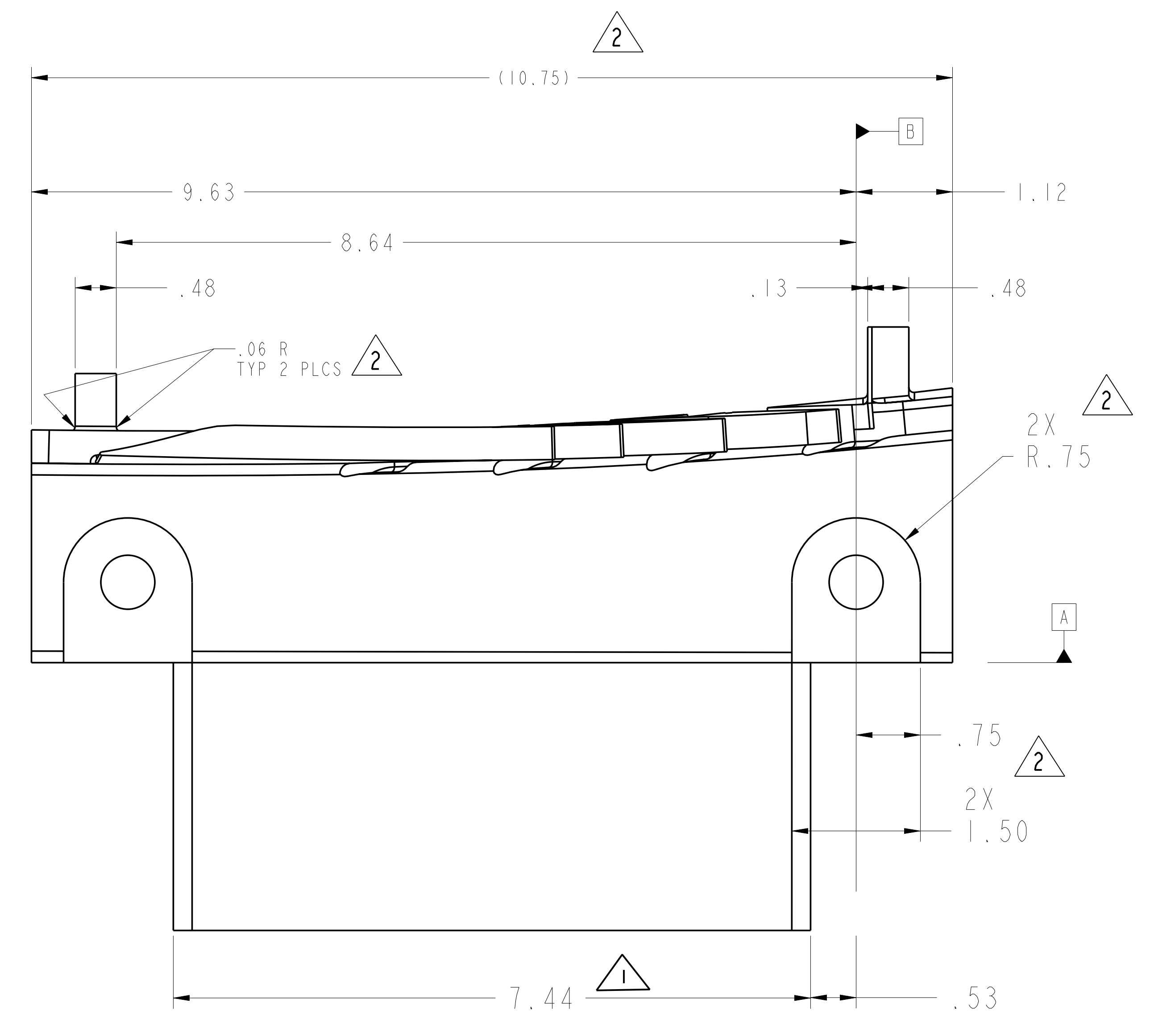
- NOTES:
1. INTERPRET DIMENSIONS AND TOLERANCES PER ANSI Y14.5M
 2. DIMENSIONS ARE IN INCHES
 3. DIMENSIONS APPLY AT ROOM TEMPERATURE. OPERATING TEMP 80 K.
 4. GEOMETRY IS DEFINED IN PRO ENGINEER CAD MODELS/FILES SE1406-134.PRT
 5. DRAWING AND MODELS COMBINED DEFINE FINISHED MACHINED PART.
 6. TOLERANCE X.XXX DIMENSIONS +/- .010



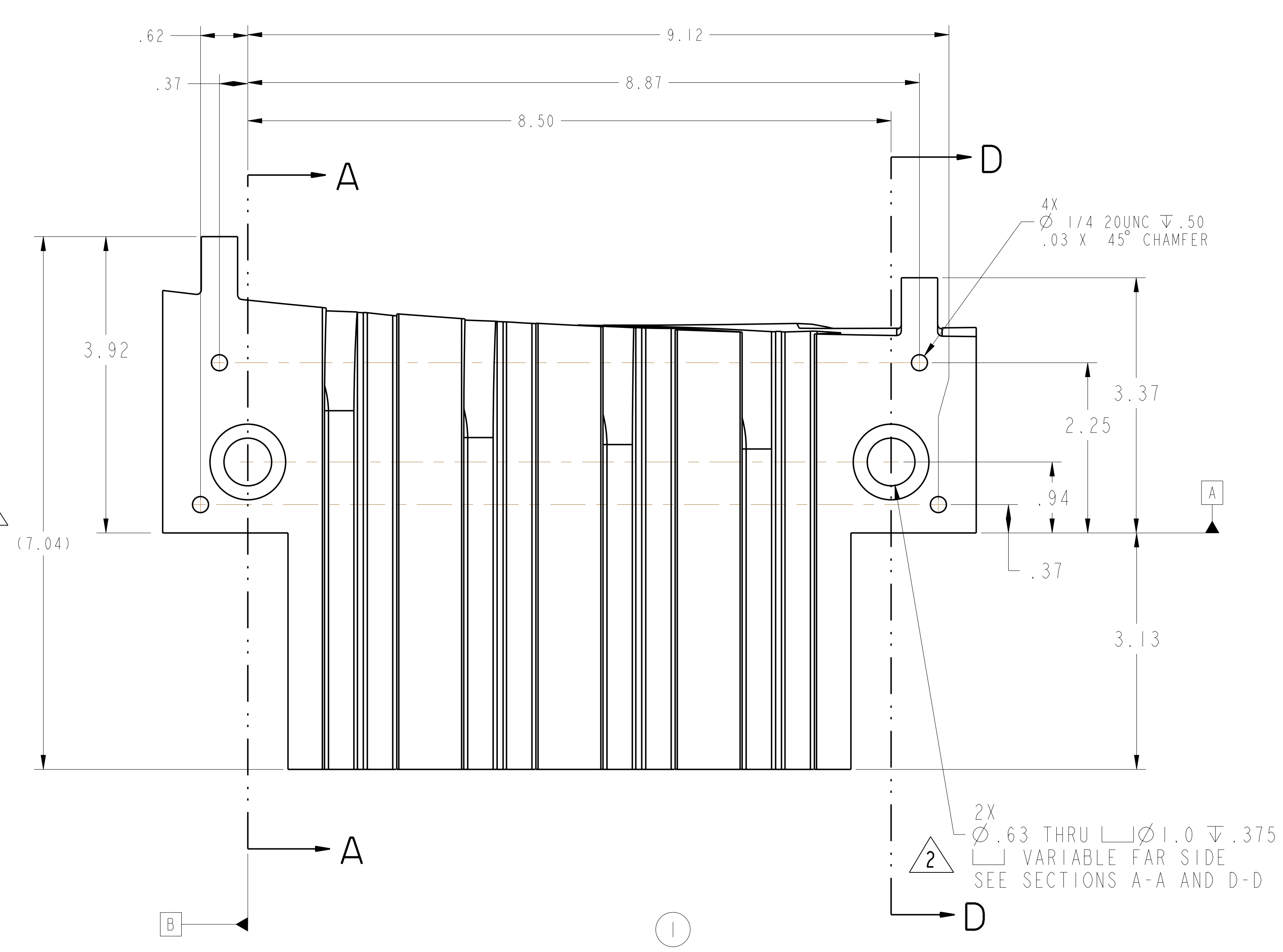
ISOMETRIC VIEW



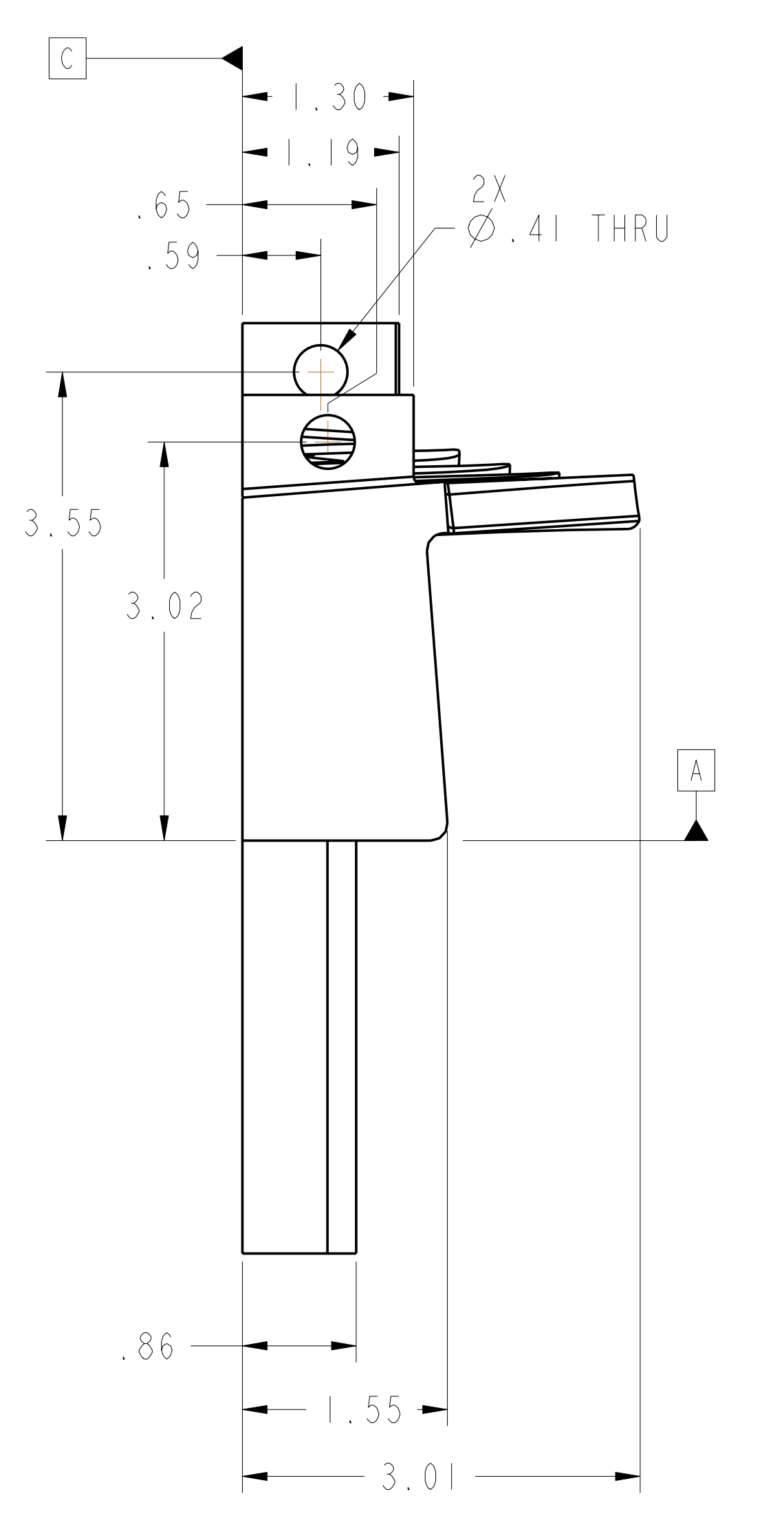
SECTION D-D



SECTION A-A



SCALE 1.00



RELEASED FOR FABRICATION / INSTALLATION
 PPPL Drafting:

next assy	1	-1	1	1
	CAGE CODE	PART OR IDENTIFYING NO	NOMENCLATURE OR DESCRIPTION	MATERIAL / SPECIFICATION
SE142C-131			SIDE-A LOWER LEAD BLOCK	NEMA GRADE G-1ICR
			NEXT ASSEMBLY	PARTS LIST
				FIND NO

NO REPRESENTATION OR WARRANTY, EXPRESSED OR IMPLIED, IS MADE AS TO THE ACCURACY, COMPLETENESS OR USEFULNESS OF THE INFORMATION OR STATEMENTS CONTAINED IN THESE DRAWINGS, OR THAT THE USE OR DISCLOSURE OF ANY INFORMATION, APPARATUS, METHOD OR PROCESS DISCLOSED IN THESE DRAWINGS MAY NOT INFRINGE PRIVATE RIGHTS OF OTHERS. NO LIABILITY IS ASSUMED WITH RESPECT TO THE USE OF, OR FOR DAMAGES RESULTING FROM THE USE OF, ANY INFORMATION, APPARATUS, METHOD OR PROCESS DISCLOSED IN THESE DRAWINGS. DRAWINGS MADE AVAILABLE FOR INFORMATION TO BIDDER ARE NOT TO BE USED FOR OTHER PURPOSES, AND ARE TO BE RETURNED UPON REQUEST OF THE FORWARDING CONTRACTOR.

P THIS DRAWING PRODUCED ON PRO-ENGINEER

REV	DESCRIPTION	BY	DATE	CHK	DEPT	DATE	PE	REQ	DATE	ORNL	DOE	DATE
2	REVISE PART AND DRAWING PER ECN 5024	GLL	08/05	MJC			DEW					
1	REVISE DRAWING PER ECN 5016	GLL	08/11				DEW					
0	INITIAL RELEASE	DEW	11/11									

SCALE NOTED	DES	DATE	DRW	DATE	CHK	DATE	SECT	DEPT	PE	DATE	CR	REO	PPPL	DRFT	DATE
	P FOGARTY	05/05	D WILLIAMSON	05/05	G LOVETT	05/05			D WILLIAMSON	05/05			J SIEGEL	05/05	

VERSION NO.	PLANT	BLDG	FL	SHT	OF	TYPE	CLASS
6	X-10	5700	3	1	1	S	U
RELEASE LEVEL		Fabrication		SE142C-134		REV 2	

SE142C-134