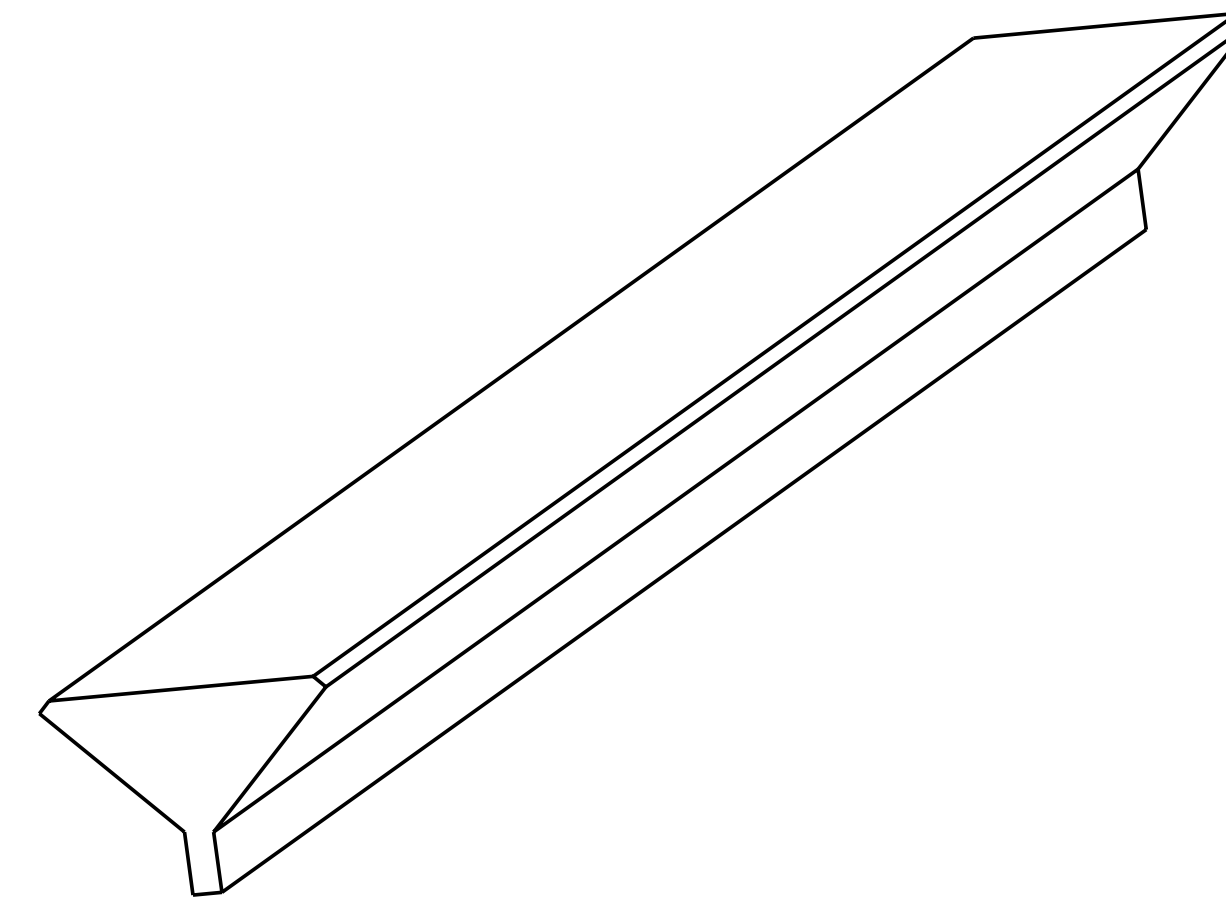
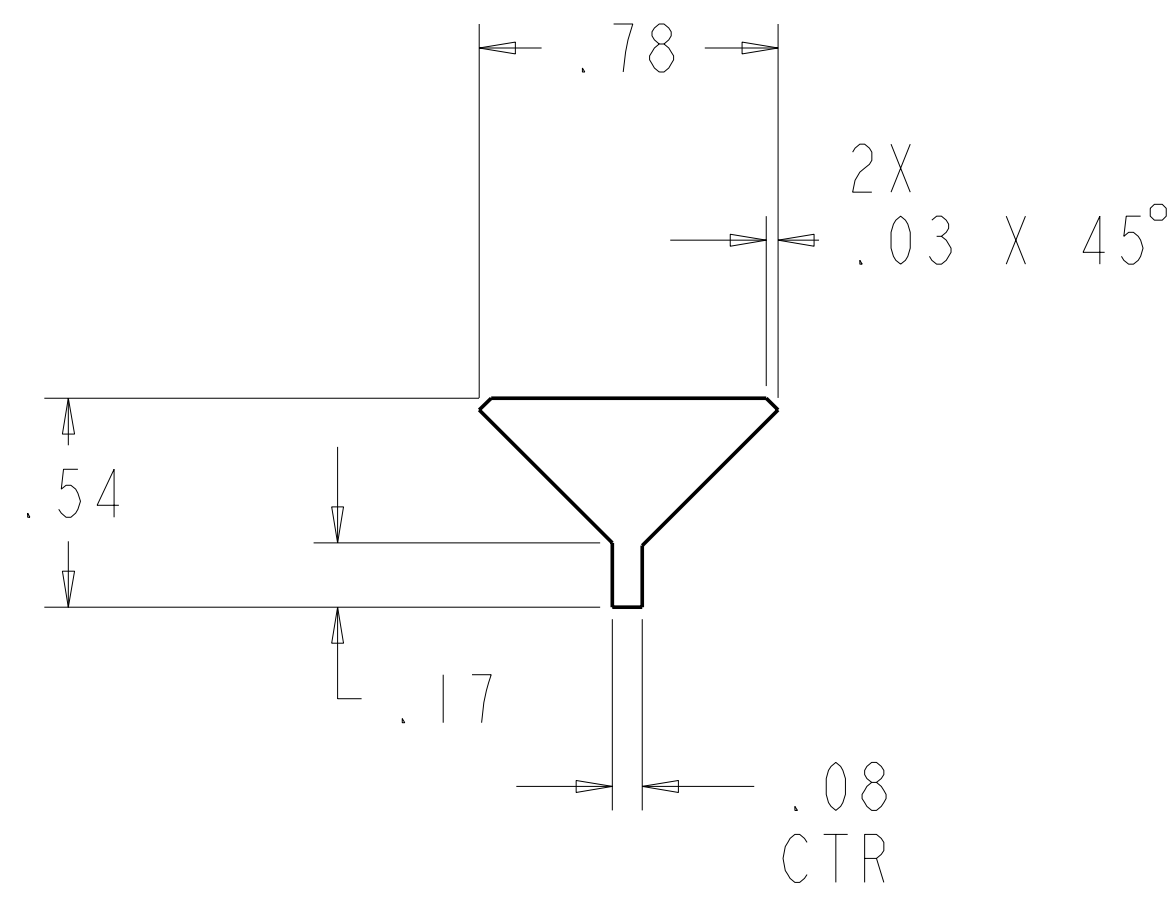


- NOTES:
1. DRAWING PREPARED IN ACCORDANCE WITH ASME Y14.100.
 2. INTERPRET DIMENSIONS AND TOLERANCES PER ASME Y14.5M.
 3. DIMENSIONS ARE IN INCHES
 4. DIMENSIONS APPLY AT ROOM TEMPERATURE. OPERATING TEMP 80 K.
 5. GEOMETRY IS DEFINED IN PRO ENGINEER CAD MODELS/FILES SEI42C-226.PRT
 6. DRAWING AND MODELS COMBINED DEFINE FINISHED MACHINED PART.



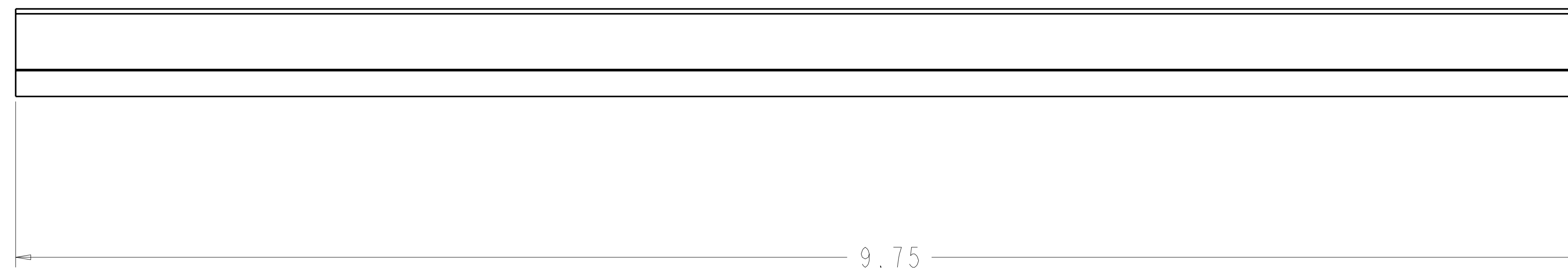
ISOMETRIC VIEW

SCALE 2.00



1

SCALE 2.00



next assy	142C-080	-1	FILLER STRIP	COPPER ANNEALED UNS C10100, C10200	1
CAGE CODE	PART OR IDENTIFYING NO	NOMENCLATURE OR DESCRIPTION	MATERIAL	SPECIFICATION	FIND NO
	NEXT ASSEMBLY	PARTS LIST			

<p>NO REPRESENTATION OR WARRANTY, EXPRESSED OR IMPLIED, IS MADE AS TO THE ACCURACY, COMPLETENESS OR USEFULNESS OF THE INFORMATION OR STATEMENTS CONTAINED IN THESE DRAWINGS, OR THAT THE USE OR DISCLOSURE OF ANY INFORMATION, APPARATUS, METHOD OR PROCESS DISCLOSED IN THESE DRAWINGS MAY NOT INFRINGE PRIVATE RIGHTS OF OTHERS. NO LIABILITY IS ASSUMED WITH RESPECT TO THE USE OF, OR FOR DAMAGES RESULTING FROM THE USE OF, ANY INFORMATION, APPARATUS, METHOD OR PROCESS DISCLOSED IN THESE DRAWINGS. DRAWINGS MADE AVAILABLE FOR INFORMATION TO BIDDER ARE NOT TO BE USED FOR OTHER PURPOSES, AND ARE TO BE RETURNED UPON REQUEST OF THE FORWARDING CONTRACTOR.</p>										<p>P THIS DRAWING PRODUCED ON PRO-ENGINEER</p>										<p>SCALE NOTED TOLERANCES UNLESS OTHERWISE SPECIFIED FRACTIONS : XX DECIMALS ±.01 XXX DECIMALS ±.005 ANGLES ±0°15' BREAK SHARP EDGES .06 MAX FINISH :25 UNLESS OTHERWISE SPECIFIED</p>										<p>DES: PJ FOGARTY 10-05 DRW: G LOVETT 10-05 CHK: M COLE 10-05 SECT: : DEPT: : PE: D WILLIAMSON 10-05 CR: : PJ: : RED: : PPPL DRFT J SIEGLE 10-05 : : : : DRAWING APPROVALS DATE</p>										<p>Oak Ridge National Laboratory managed for the DEPARTMENT OF ENERGY under U.S. GOVERNMENT contract DE-AC05-00OR22725 UT-BATTELLE, LLC, Oak Ridge, Tennessee UT-BATTELLE NATIONAL COMPACT STELLARATOR EXPERIMENT MODULAR COIL LEAD BLOCKS FILLER STRIP VERSION NO. 2 PLANT X-10 BLDG 5700 FL 3 SHT OF 1 TYPE I CLASS U RELEASE LEVEL WIP SEI42C-226 REV 0</p>									
REV	DESCRIPTION	BY	DATE	CHK	DEPT	DATE	PE	REQ	DATE	ORNL	DOE	DATE																																					
REVISION OR ISSUE PURPOSE													REVISION APPROVAL																																				

SEI42C-226

A