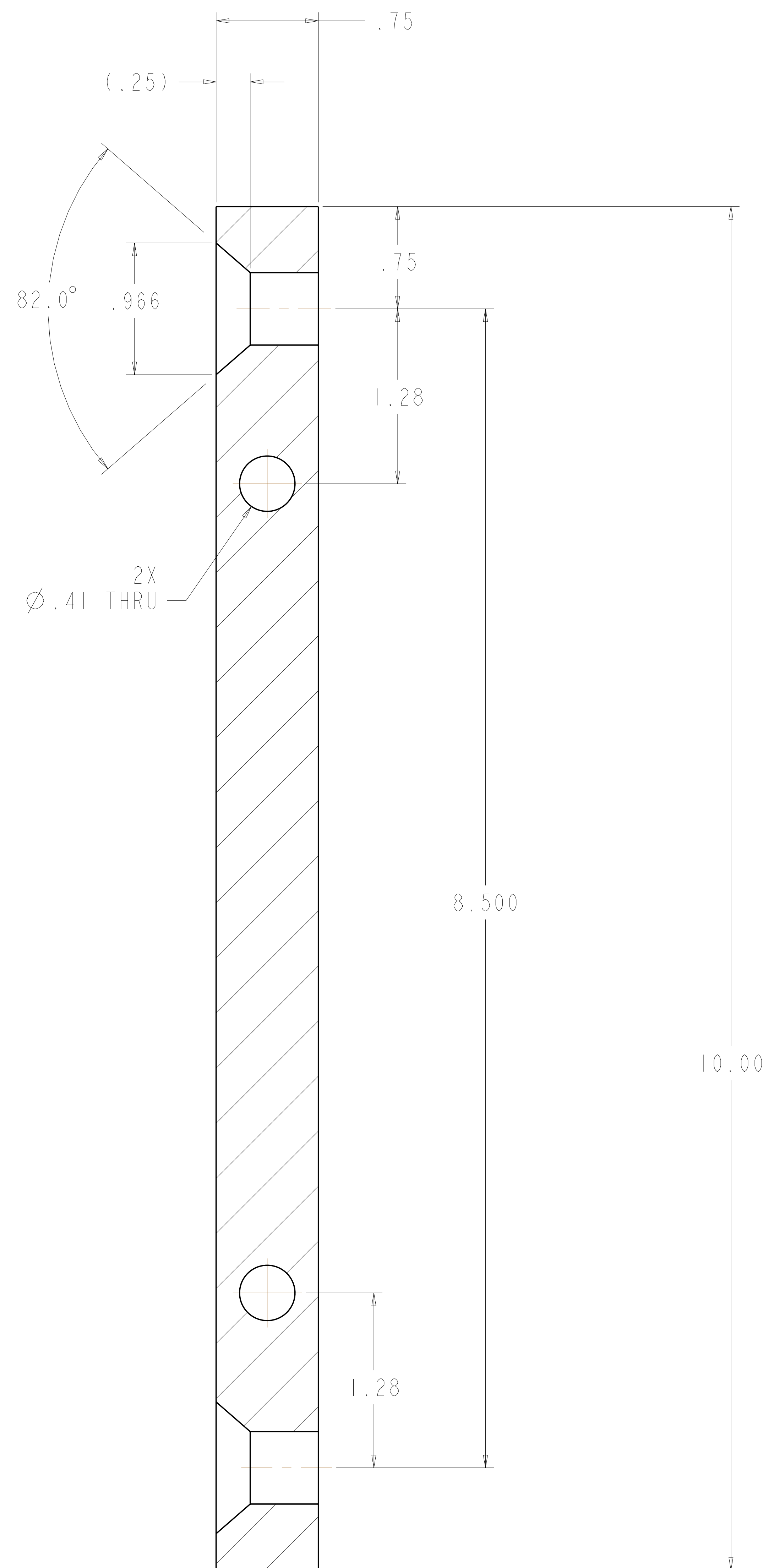


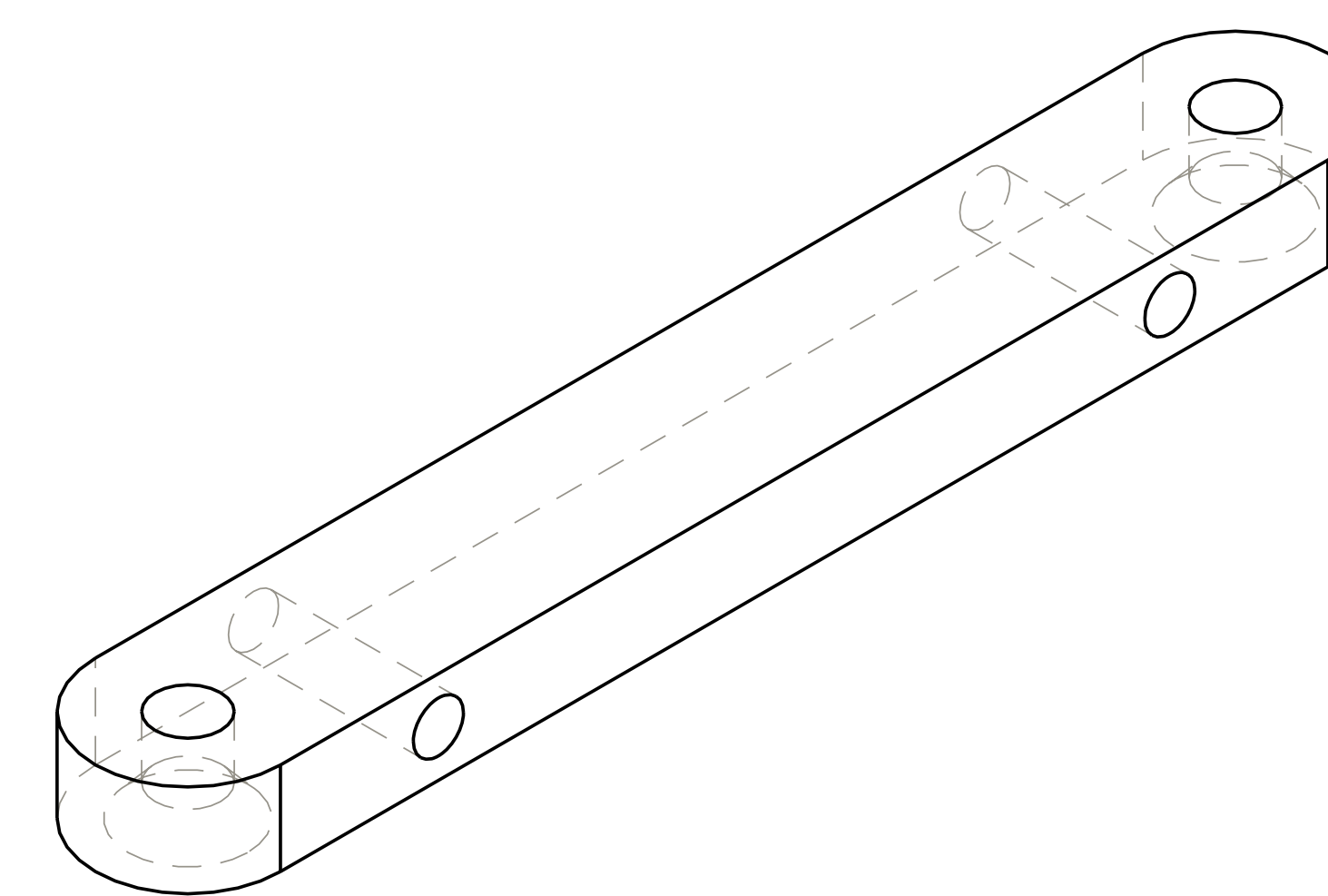
1
SCALE 2.00



SECTION A-A

NOTES:

1. DRAWING PREPARED IN ACCORDANCE WITH ASME Y14.100-2004.
2. INTERPRET DIMENSIONS AND TOLERANCES PER ANSI Y14.5M-1994
3. DIMENSIONS ARE IN INCHES
4. DIMENSIONS APPLY AT ROOM TEMPERATURE.
5. GEOMETRY IS DEFINED IN PRO ENGINEER CAD MODELS/FILES SEI42C-284.PRT



ISOMETRIC VIEW

SCALE 1.00

RELEASED FOR FABRICATION / INSTALLATION
PPPL Drafting:

next assy	SEI42C-280	-1	SIDEBAR	AL 6061-T6	
CAGE CODE	PART OR IDENTIFYING NO	NOMENCLATURE OR DESCRIPTION	MATERIAL	SPECIFICATION	FIND NO
←	NEXT ASSEMBLY	PARTS LIST			

SCALE NOTED		DES: PJ FOGARTY	8-05	Oak Ridge National Laboratory managed for the DEPARTMENT OF ENERGY under U.S. GOVERNMENT contract DE-AC05-00OR22725 UT-BATTELLE, LLC, Oak Ridge, Tennessee	
TOLERANCES UNLESS OTHERWISE SPECIFIED		DRW: G LOVETT	8-05	UT-BATTELLE	
FRACTIONS		CHK: M COLE	10-05	PROJECT NAME	
XX DECIMALS ±.01		SECT:		NATIONAL COMPACT STELLARATOR EXPERIMENT	
XXX DECIMALS ±.005		DEPT:		FIXTURE ALIGNMENT SIDEBAR	
ANGLES ±0°15'		PE: D WILLIAMSON	10-05	VERSION NO.	PLANT
BREAK SHARP EDGES .06 MAX		CR:		5	X-10
FINISH .125 UNLESS OTHERWISE SPECIFIED		PJ:		BLDG	5700
		REO:		FL	3
		PPPL DRFT J SIEGEL	10-05	SHT OF	1
				TYPE	I
				CLASS	U
				RELEASE LEVEL	
				Fabrication	
				SEI42C-284	
				REV	0

REV	DESCRIPTION	BY	DATE	CHK	DEPT	DATE	PE	REQ	DATE	ORNL	DOE	DATE
	REVISION OR ISSUE PURPOSE											

NO REPRESENTATION OR WARRANTY, EXPRESSED OR IMPLIED, IS MADE AS TO THE ACCURACY, COMPLETENESS OR USEFULNESS OF THE INFORMATION OR STATEMENTS CONTAINED IN THESE DRAWINGS, OR THAT THE USE OR DISCLOSURE OF ANY INFORMATION, APPARATUS, METHOD OR PROCESS DISCLOSED IN THESE DRAWINGS MAY NOT INFRINGE PRIVATE RIGHTS OF OTHERS. NO LIABILITY IS ASSUMED WITH RESPECT TO THE USE OF, OR FOR DAMAGES RESULTING FROM THE USE OF, ANY INFORMATION, APPARATUS, METHOD OR PROCESS DISCLOSED IN THESE DRAWINGS. DRAWINGS MADE AVAILABLE FOR INFORMATION TO BIDDER ARE NOT TO BE USED FOR OTHER PURPOSES, AND ARE TO BE RETURNED UPON REQUEST OF THE FORWARDING CONTRACTOR.

P THIS DRAWING PRODUCED ON PRO-ENGINEER

H
G
F
E
D
C
B
A