

8

7

6

5

4

3

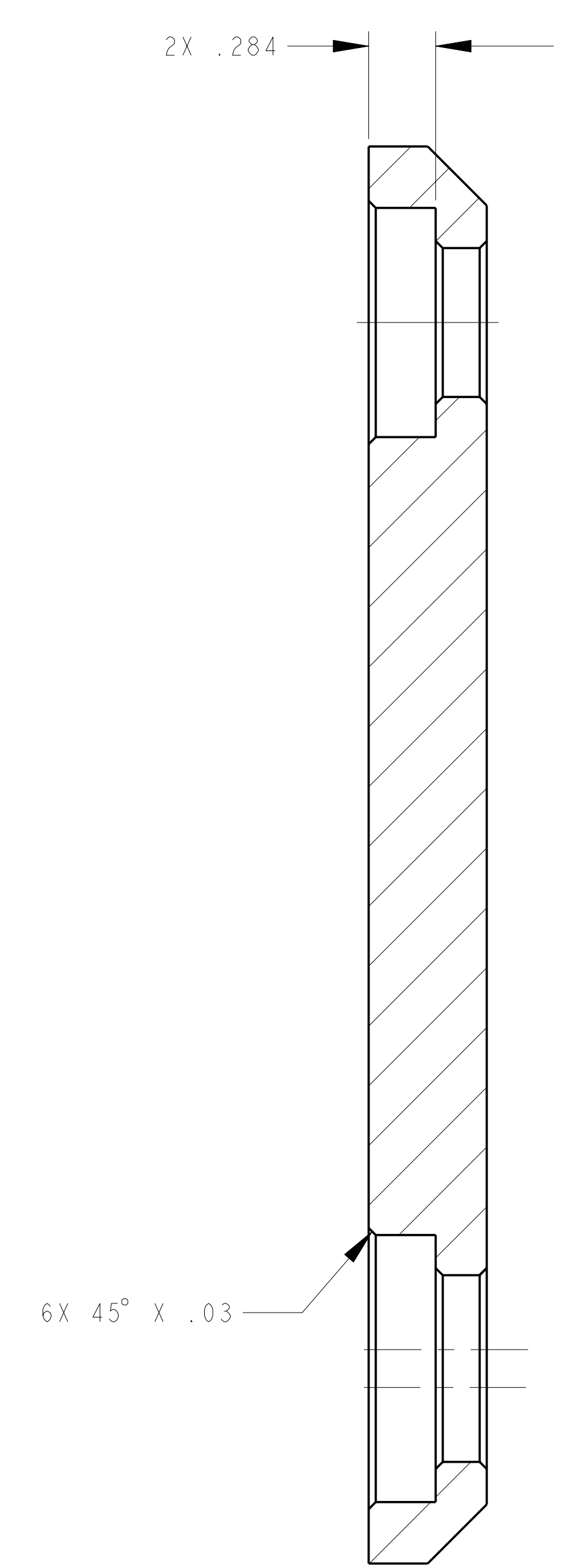
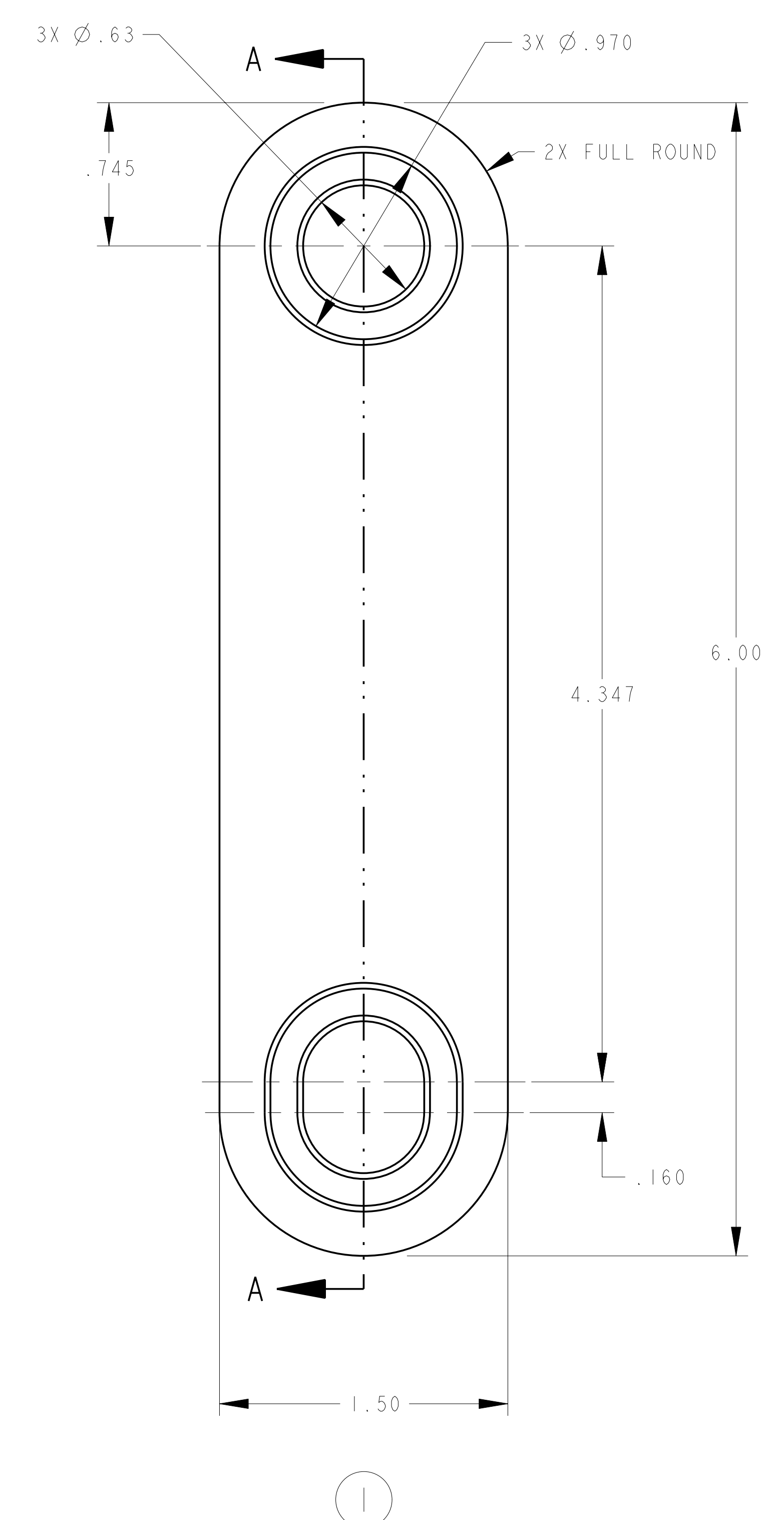
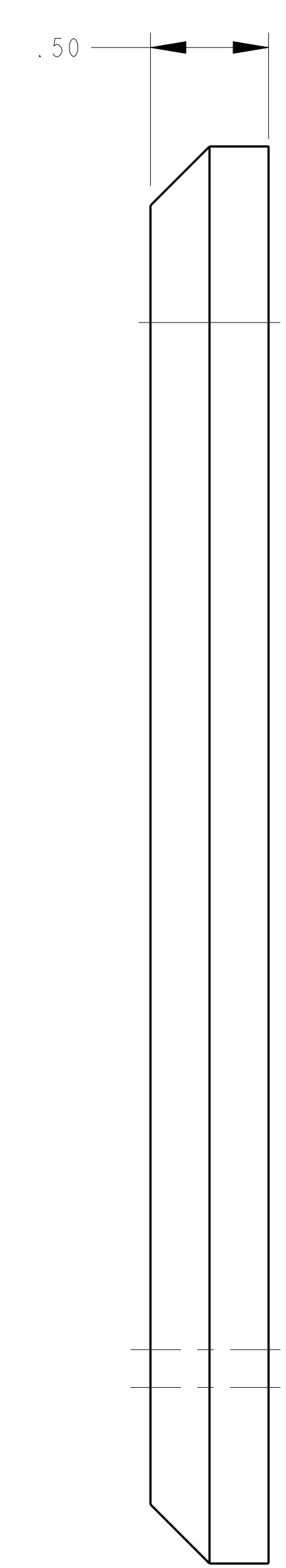
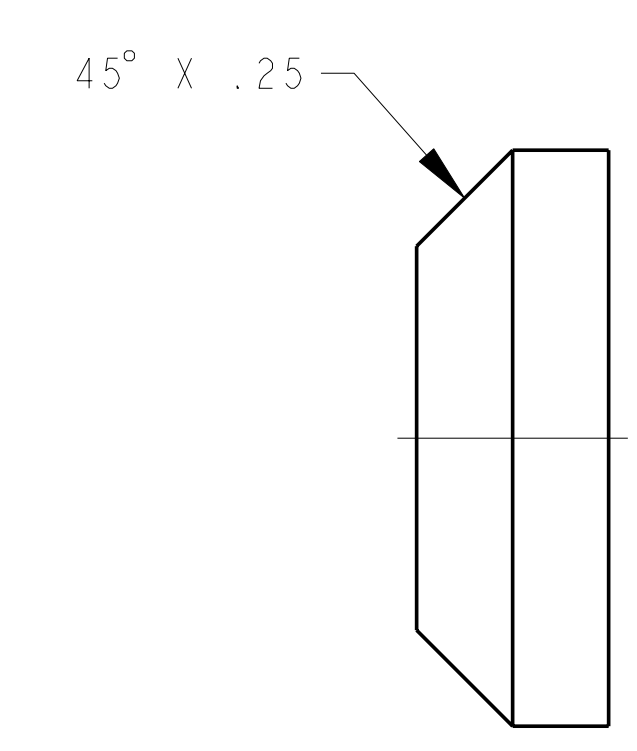
2

1

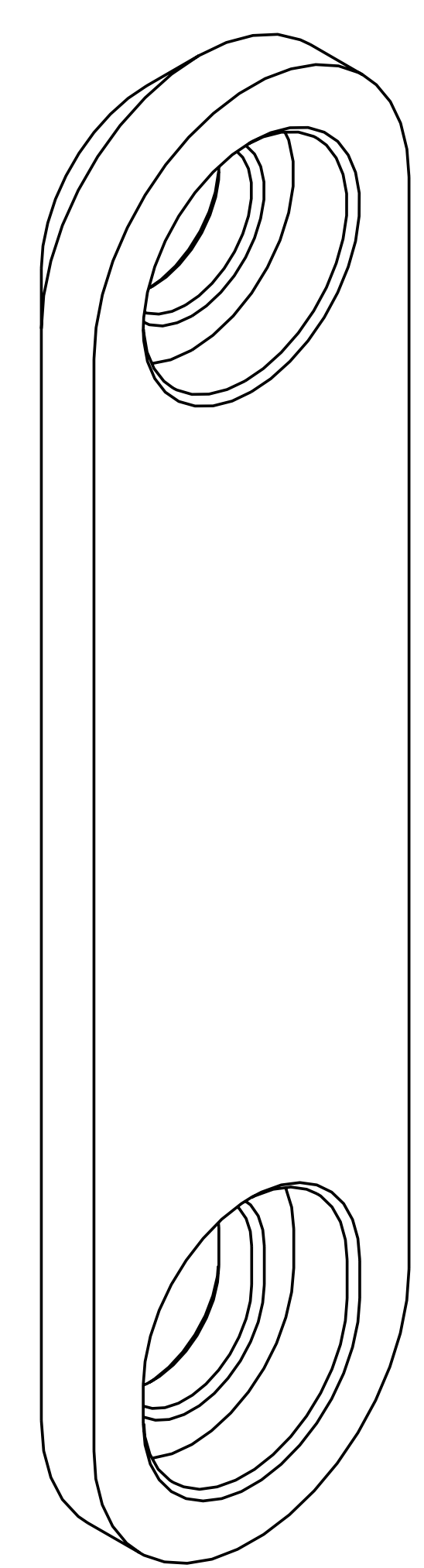
NEXT ASS'Y:  
1 FINAL ASS'Y:

NOTES:

1. INTERPRET DIMENSIONS AND TOLERANCES PER ANSI Y14.5M
2. DIMENSIONS ARE IN INCHES
3. DIMENSIONS APPLY AT ROOM TEMPERATURE. OPERATING TEMP 80 K
4. GEOMETRY IS DEFINED IN PRO ENGINEER CAD MODELS/FILES
5. DRAWING AND MODELS COMBINED DEFINE FINISHED MACHINED PART



SECTION A-A



CAGE CODE	PART OR IDENTIFYING NO	NOMENCLATURE OR DESCRIPTION	MATERIAL	SPECIFICATION	FIND NO
SEI405-251	SEI405-251P	BAR, CLAMP, VERTICAL	316L SS	---	---
PARTS LIST					

← NEXT ASSEMBLY

NO REPRESENTATION OR WARRANTY, EXPRESSED OR IMPLIED, IS MADE AS TO THE ACCURACY, COMPLETENESS OR USEFULNESS OF THE INFORMATION OR STATEMENTS CONTAINED IN THESE DRAWINGS, OR THAT THE USE OR DISCLOSURE OF ANY INFORMATION, APPARATUS, METHOD OR PROCESS DISCLOSED IN THESE DRAWINGS MAY NOT INFRINGE PRIVATE RIGHTS OF OTHERS. NO LIABILITY IS ASSUMED WITH RESPECT TO THE USE OF, OR FOR DAMAGES RESULTING FROM THE USE OF, ANY INFORMATION, APPARATUS, METHOD OR PROCESS DISCLOSED IN THESE DRAWINGS. DRAWINGS MADE AVAILABLE FOR INFORMATION TO BIDDER ARE NOT TO BE USED FOR OTHER PURPOSES, AND ARE TO BE RETURNED UPON REQUEST OF THE FORWARDING CONTRACTOR.

**P** THIS DRAWING PRODUCED ON PRO-ENGINEER

REV	DESCRIPTION	BY	DATE	CHK	DEPT	DATE	PE	REQ	DATE	ORNL	DOE	DATE
REVISION OR ISSUE PURPOSE			REVISION APPROVAL			REVISION APPROVAL			REVISION APPROVAL			

SCALE	2	DES	PAUL MILLER	4-12-04
TOLERANCES UNLESS OTHERWISE SPECIFIED		DRW	PAUL MILLER	4-13-04
FRACTIONS		CHK		
XX DECIMALS	± .01	SECT		
XXX DECIMALS	± .005	DEPT		
ANGLES	±0°15'	PE		
FINISH	.125 UNLESS OTHERWISE SPECIFIED	CR		
		PJ		
		REQ		
		PPPL	DRFT	

Oak Ridge National Laboratory  
managed for the DEPARTMENT OF ENERGY under  
U.S. GOVERNMENT contract DE-AC05-00OR22725  
UT-BATTELLE, LLC. Oak Ridge, Tennessee

**UT-BATTELLE**

NATIONAL COMPACT STELLARATOR EXPERIMENT

BAR, CLAMP, VERTICAL

VERSION NO.	PLANT	BLDG	FL	SHT OF	TYPE	CLASS
4	X-10	5700	3	1	S	U

RELEASE LEVEL  
Fabrication

SEI405-251P

REV 0