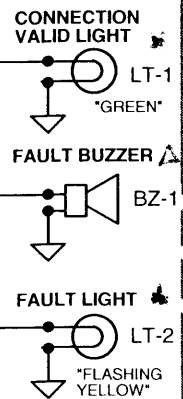
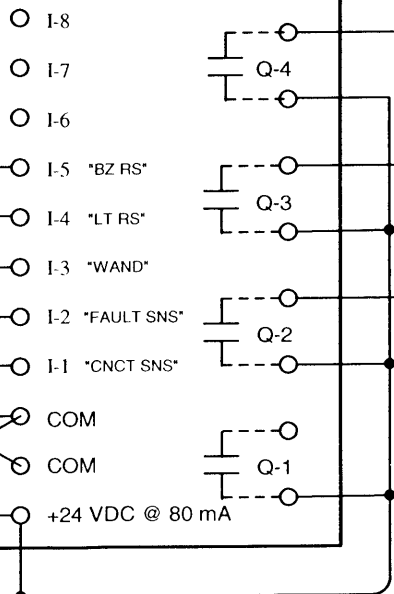
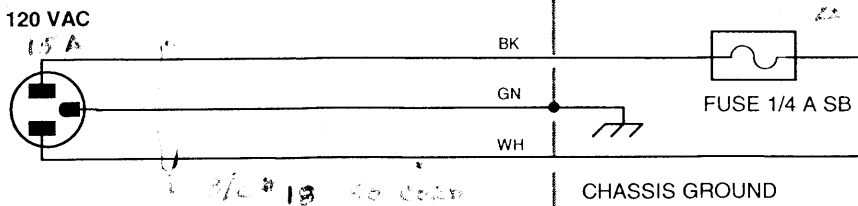
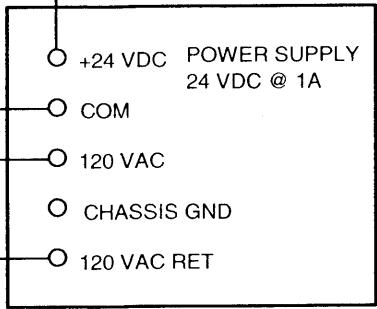


### MODULAR COIL LEAD FAULT DETECTOR

ALLEN-BRADLEY  
PICO CONTROLLER  
AB 1760-L12BWB



POWER ON  
LT-3 \*RED\*



WAND RESET

FAULT SWEEP SENSOR

COMMON CONNECTION SENSE

COIL COMMON

COIL UNDER TEST

CIRCUIT COMMON

120 VAC

15 A

BK

GN

WH

FUSE 1/4 A SB

CHASSIS GROUND

+24 VDC POWER SUPPLY  
24 VDC @ 1A

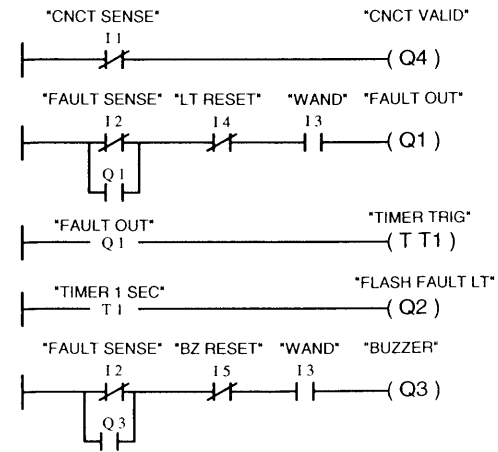
COM

120 VAC

CHASSIS GND

120 VAC RET

#### PICO PROGRAM LOGIC:



#### COMPONENT FUNCTION:

- LT-1. "CONNECTION VALID" INDICATOR. LIGHTED WHEN COIL COMMON AND COMMON SENSE LEADS ARE MADE.
- LT-2. "FAULT" INDICATOR. FLASHING LIGHT LATCHED ON WHEN COIL TO SWEEP SENSOR SHORT DETECTED. RESET BY "WAND" OR S-2 "LIGHT RESET" BUTTON.
- LT-3. "POWER ON" INDICATOR. POWER UP DEFAULT STATE = FAULT INDICATOR AND BUZZER ANNUNCIATOR RESET. READY FOR FAULT DETECTION IF "CONNECTION VALID" LIT.
- BZ-1. "BUZZER". ANNUNCIATOR LATCHED ON WHEN COIL TO SWEEP SENSOR SHORT DETECTED. RESET BY "WAND" OR S-1 "BUZZER RESET" BUTTON.
- "WAND RESET". USED TO ISOLATE FAULTED COIL AREA AFTER FAULT INDICATOR OR BUZZER LATCHES ON. RESETS FAULT LIGHT AND BUZZER UPON WAND CONTACT WITH FAULTED AREA SHORT.
- S-1. "BUZZER RESET" PRESS TO SILENCE BUZZER AFTER COIL TO SWEEP SENSOR SHORT DETECTION. BUZZER "BZ-1" WILL LATCH ON UPON NEXT FAULT DETECTION.
- S-2. "LIGHT RESET" PRESS TO TURN OFF FLASHING LIGHT AFTER COIL TO SWEEP SENSOR SHORT DETECTION. FAULT LIGHT "LT-2" WILL LATCH ON UPON NEXT FAULT DETECTION.

#### NOTES:

1. S1, S2-- MOMENTARY PUSHBUTTON SWITCH
2. R1, R2, R3 -- 3K, 1/4 W CARBON
3. J1, J2, J3, J4 -- 5 WAY BINDING POST
4. LT1, LT2, LT3-- 24 VDC

- \* MOUNT ON COVER
- MOUNT ON LEFT SIDE (FACING COIL)
- △ MOUNT ON BOTTOM

J-3 & J-4 = GREEN, BINDING POST  
J-1 = RED, BINDING POST  
J-2 = BLACK BINDING POST

CADD DWG. -NO MANUAL  
CHANGES ALLOWED  
PC MINI Cad

CADD DWG.  
NUMBER

REV.	CRB/ECN#	DATE	BY	APPROVED	DESCRIPTION ORIGINAL MASTER	DRAWING NO.	MATERIAL	SPEC NO.
4								
3								
2								
1								
NEXT ASS'Y					APPROVED		NCSX	
2 PLACES					DIV. DR. RG		MODULAR COIL LEAD FAULT DETECTOR	
3 PLACES					CH. DATE: 2-16-05		SCALE:	
FRACTION					ENGR.			
ANGULAR								