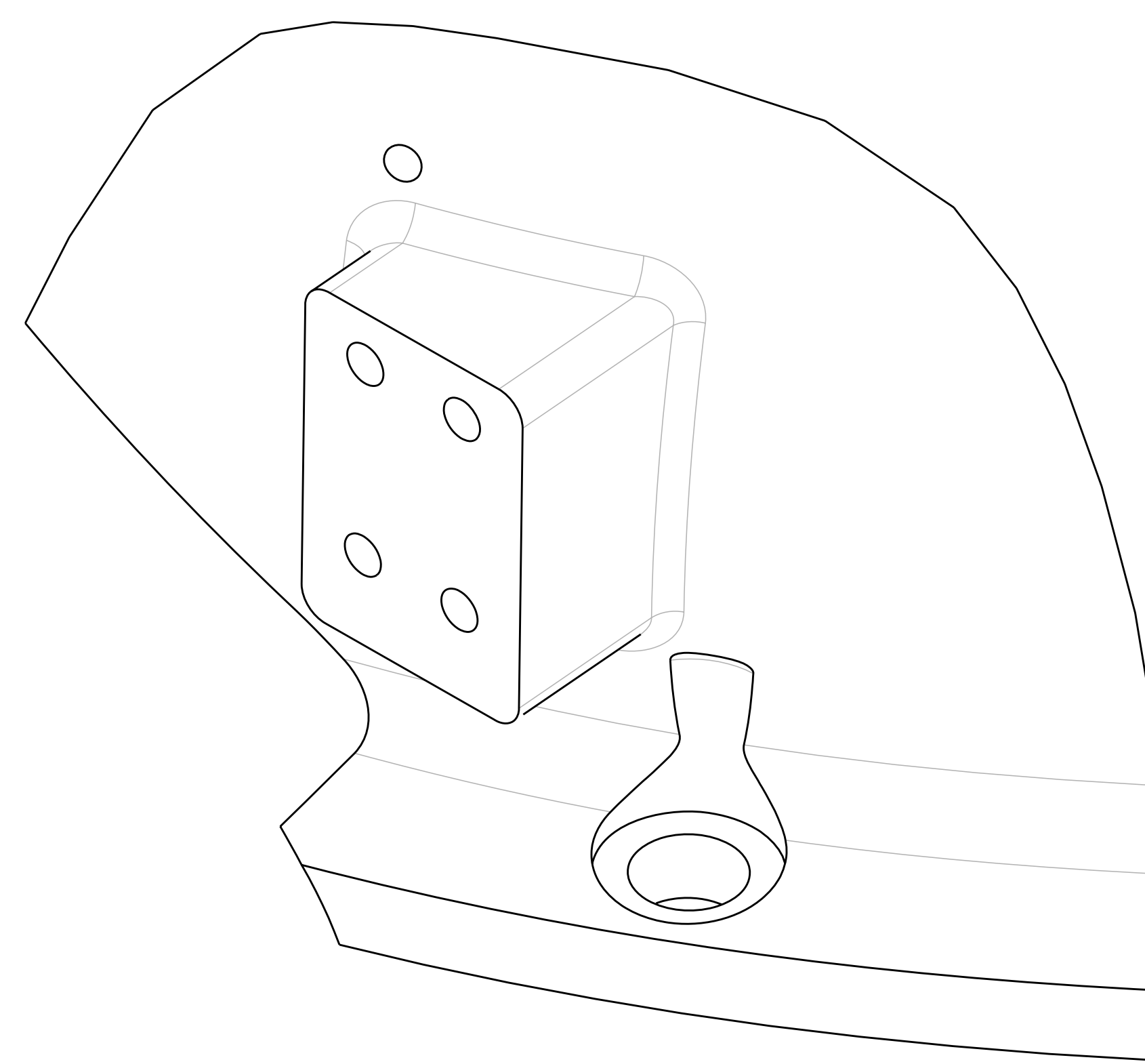
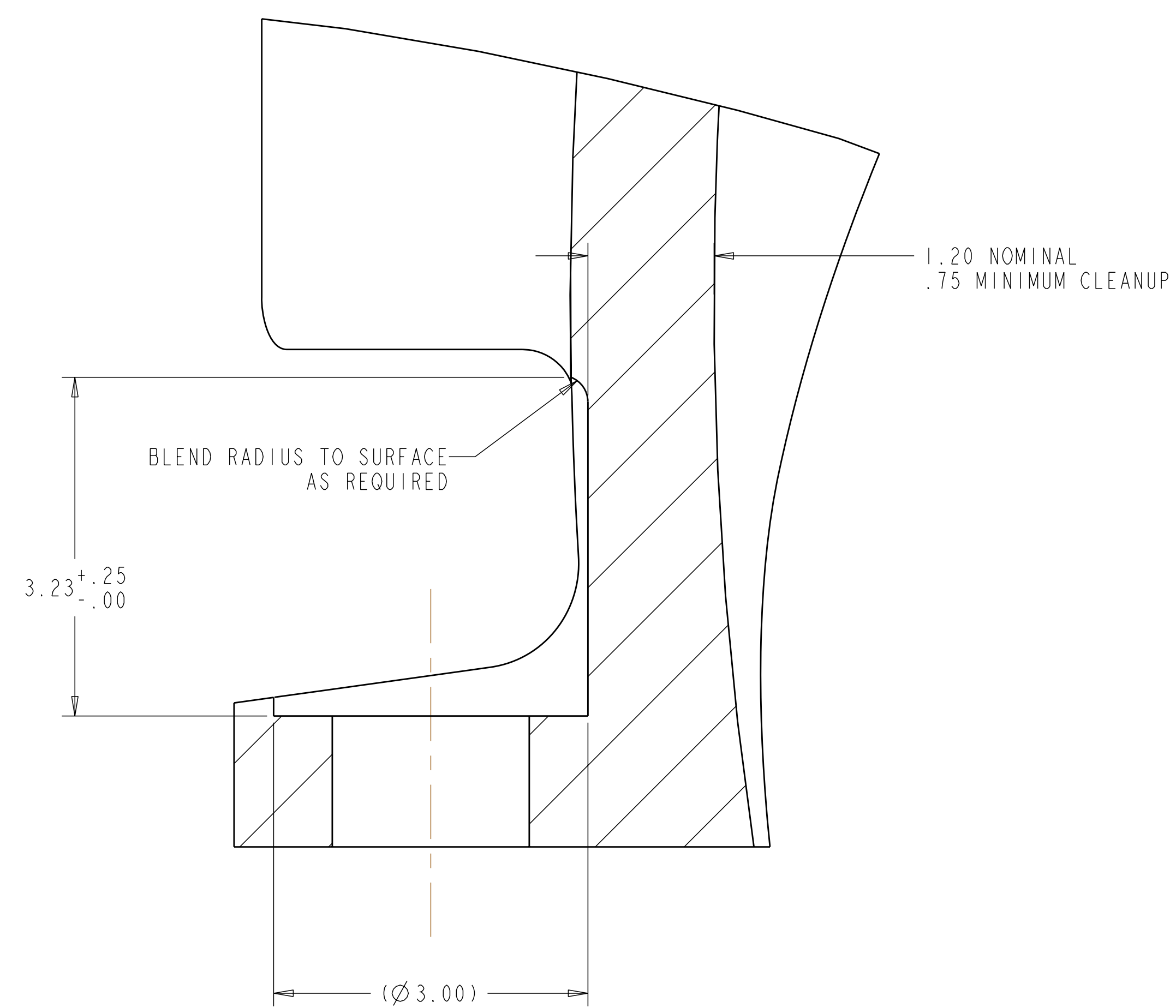


THIS REGION GRAPHICALLY DEPICTS AN AREA ON THE PRO/E MODEL THAT DOES NOT GET CLEANED UP BY THE SPOT FACE. THIS REGION MAY OR MAY NOT OCCUR ON THE ACTUAL PART.

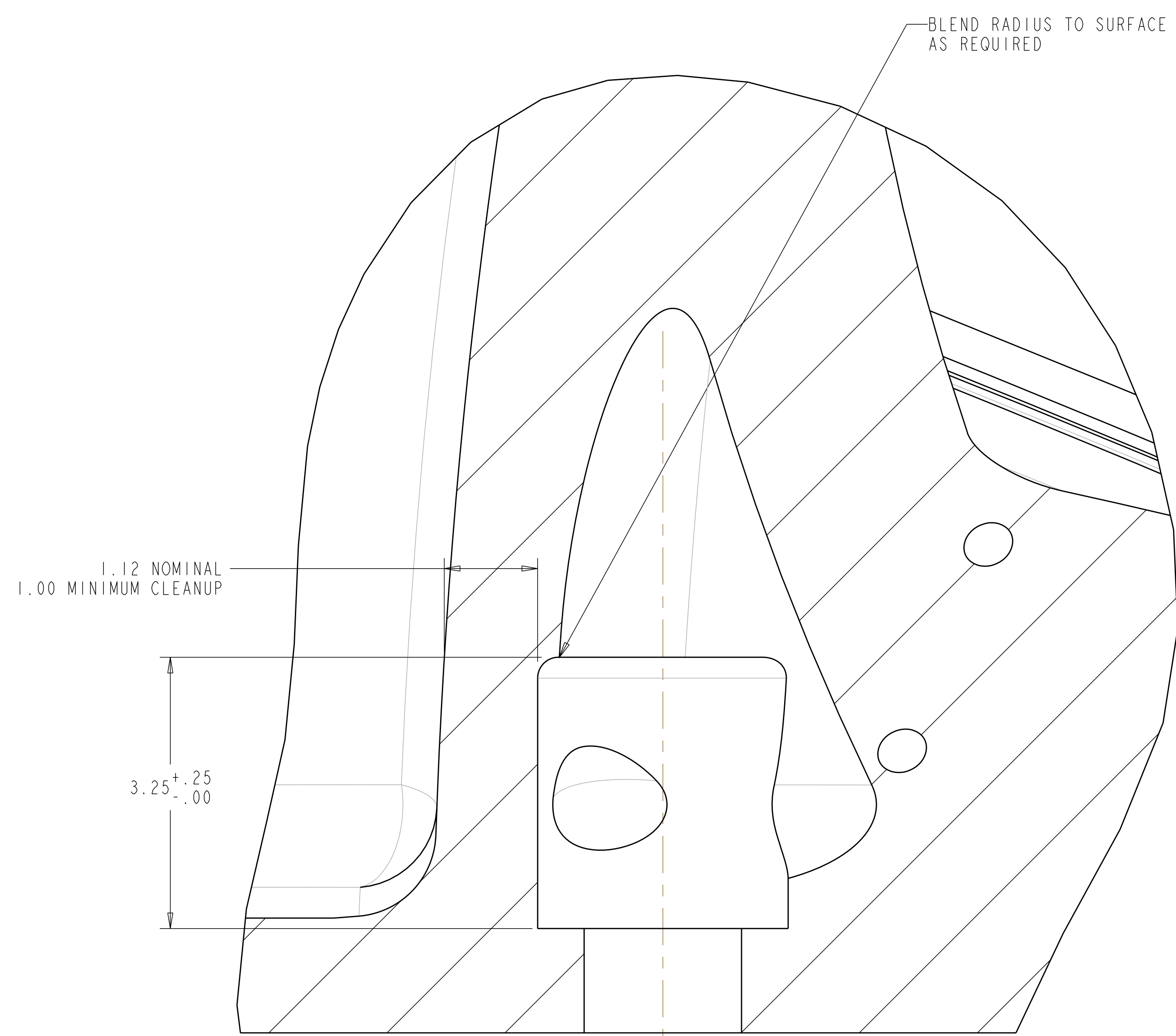
ISOMETRIC VIEW - HOLE 10
 SCALE 0.500



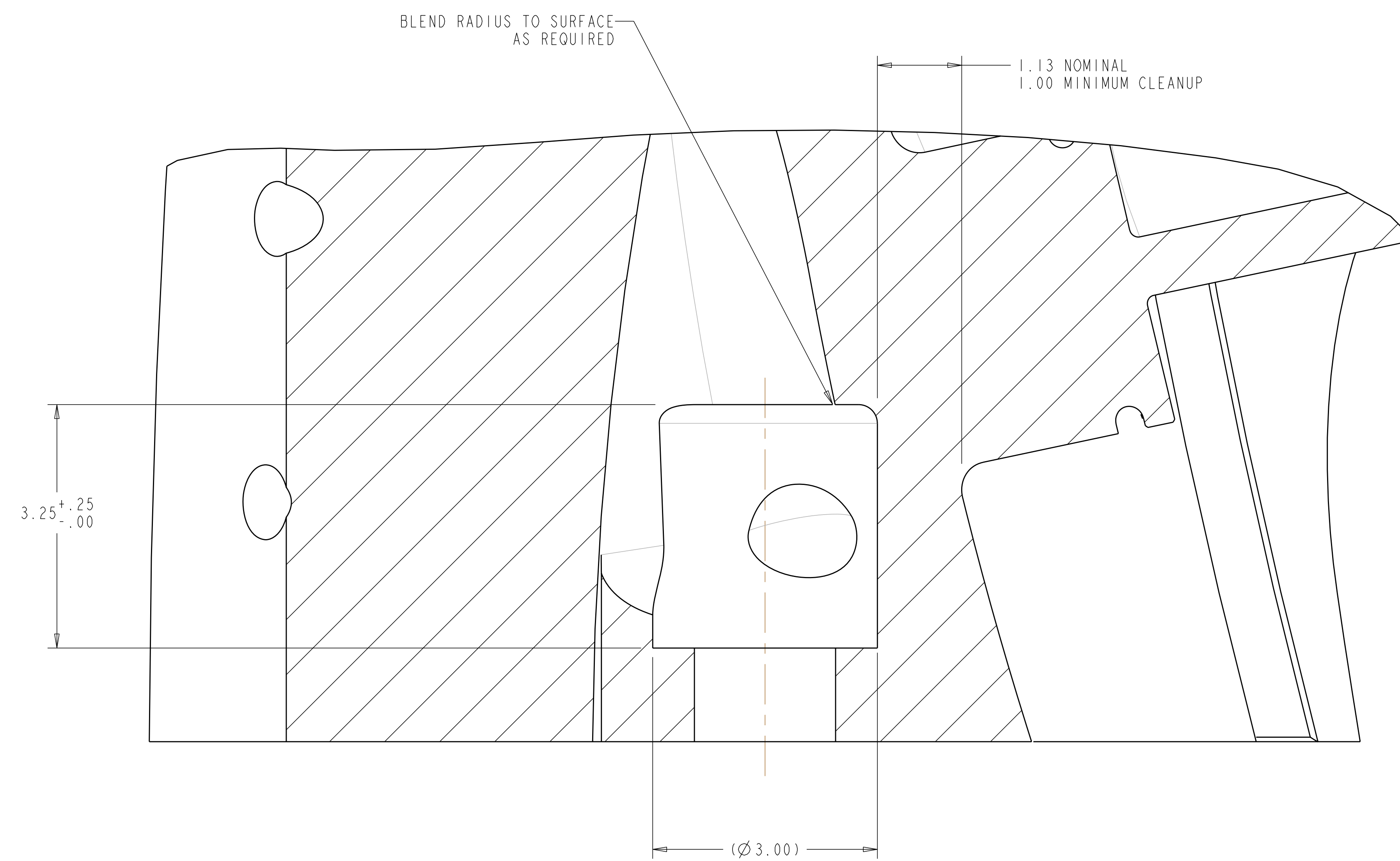
ISOMETRIC VIEW - HOLE 11
 SCALE 0.500



SECTION H11-H11 AT HOLE 11
 SCALE 1.000
 SEE NOTE 4



SECTION H10A-H10A
 SCALE 1.000
 SEE NOTE 4



SECTION H10-H10 AT HOLE 10
 SCALE 1.000
 SEE NOTE 4

RELEASED FOR FABRICATION / INSTALLATION
 PPPL Drafting:

Oak Ridge National Laboratory managed for the DEPARTMENT OF ENERGY under U.S. GOVERNMENT contract DE-AC05-00OR22725 UT-BATTELLE, LLC., Oak Ridge, Tennessee PROJECT NAME							
NATIONAL COMPACT STELLARATOR EXPERIMENT TYPE "A" MODULAR COIL SUPER NUT CLEARANCE							
VERSION NO.	PLANT	BLDG	FL	SHT OF	TYPE	CLASS	
1	ORNL	5700	3	2	S	U	
RELEASE LEVEL						REV	
Fabrication				SE141-114G		0	

H
G
F
E
D
C
B
A