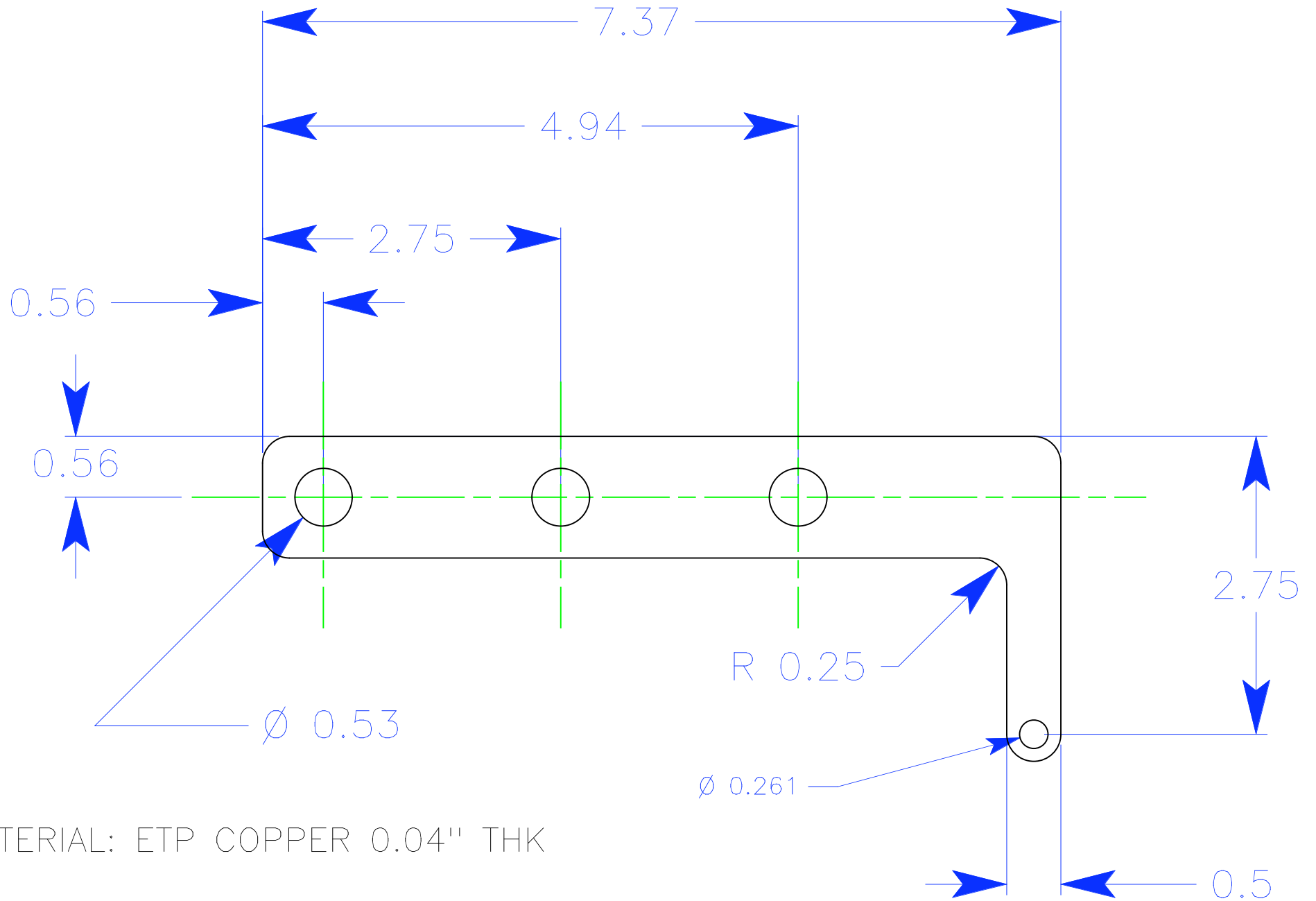


# GROUND STRAP



MATERIAL: ETP COPPER 0.04" THK