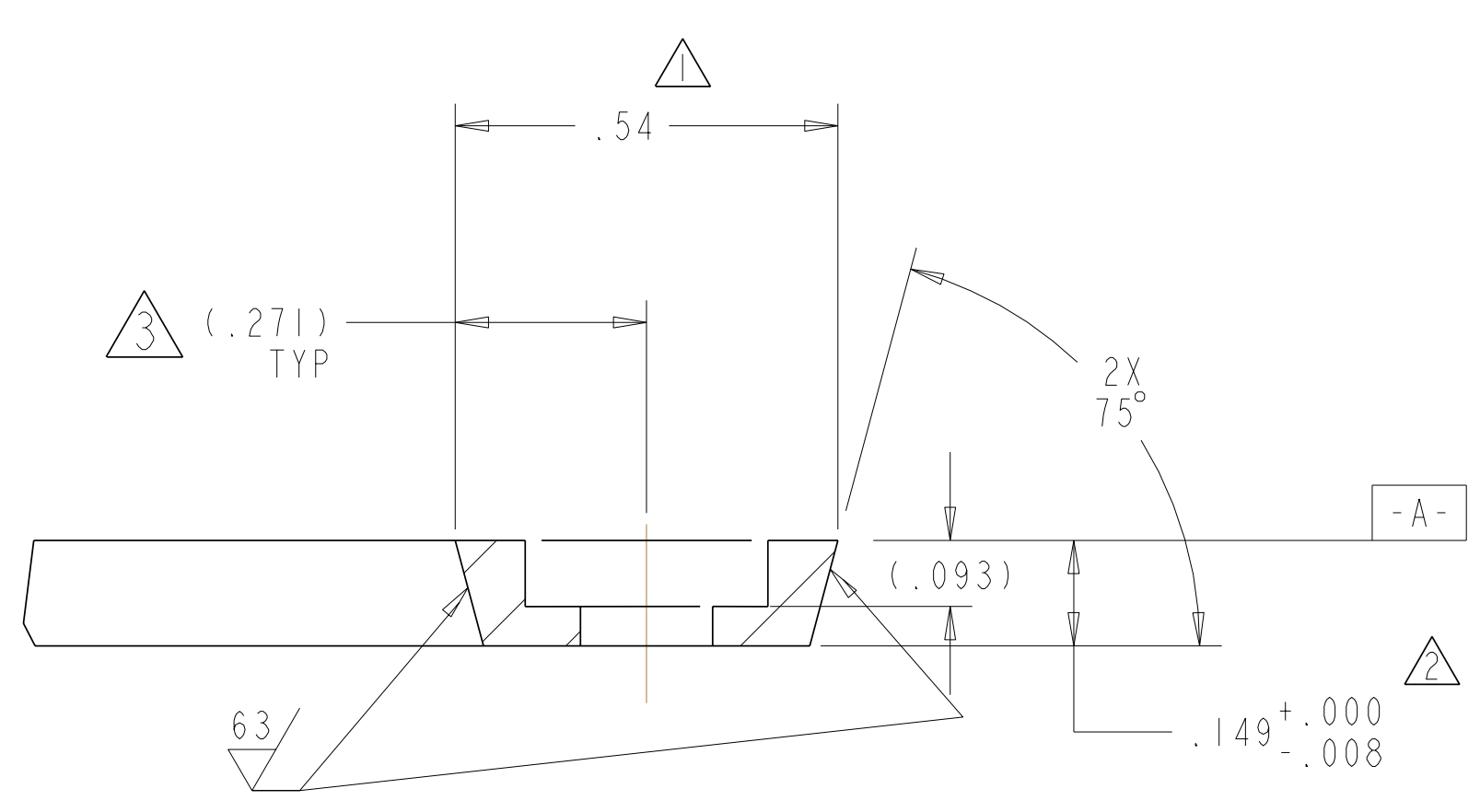
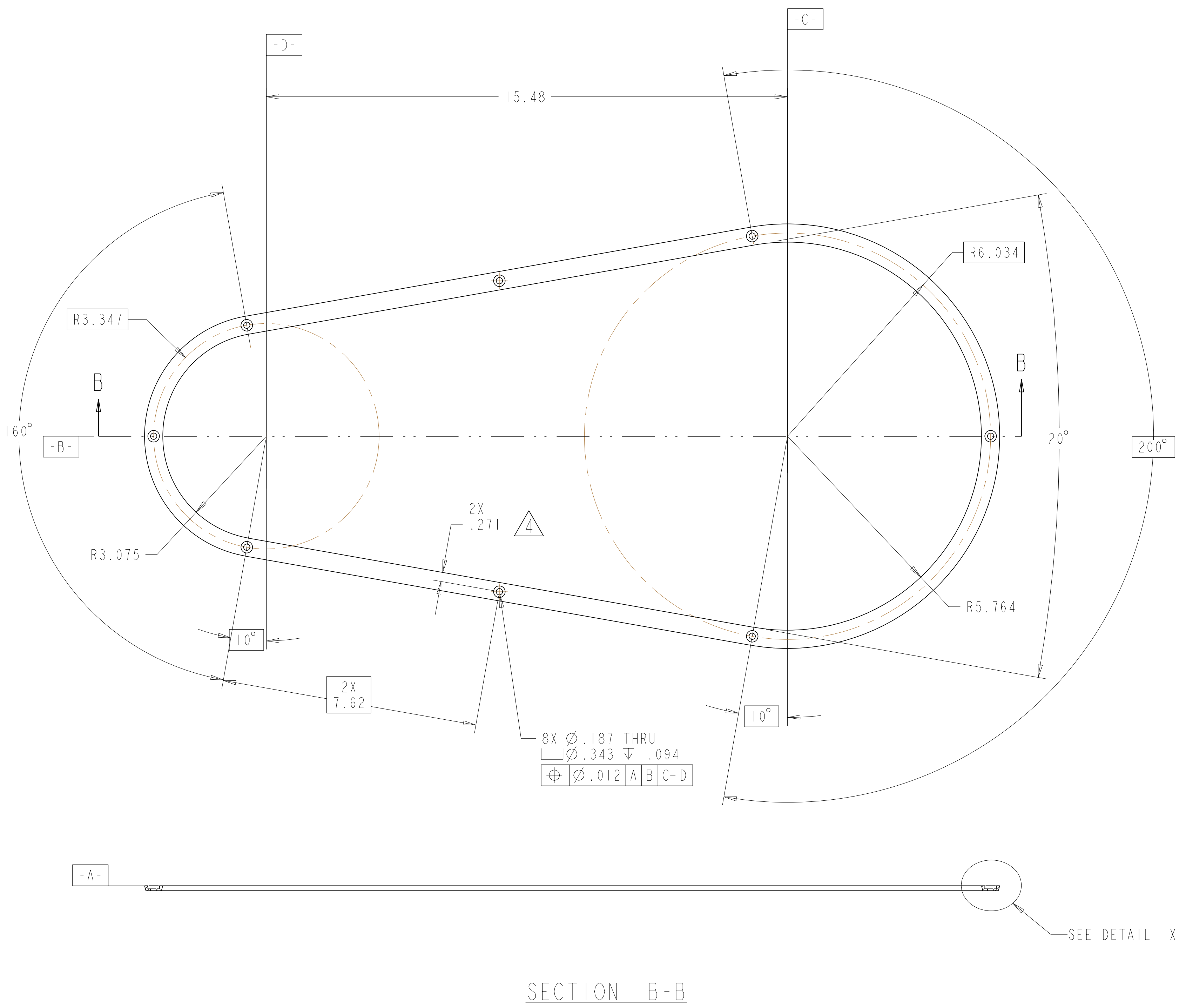
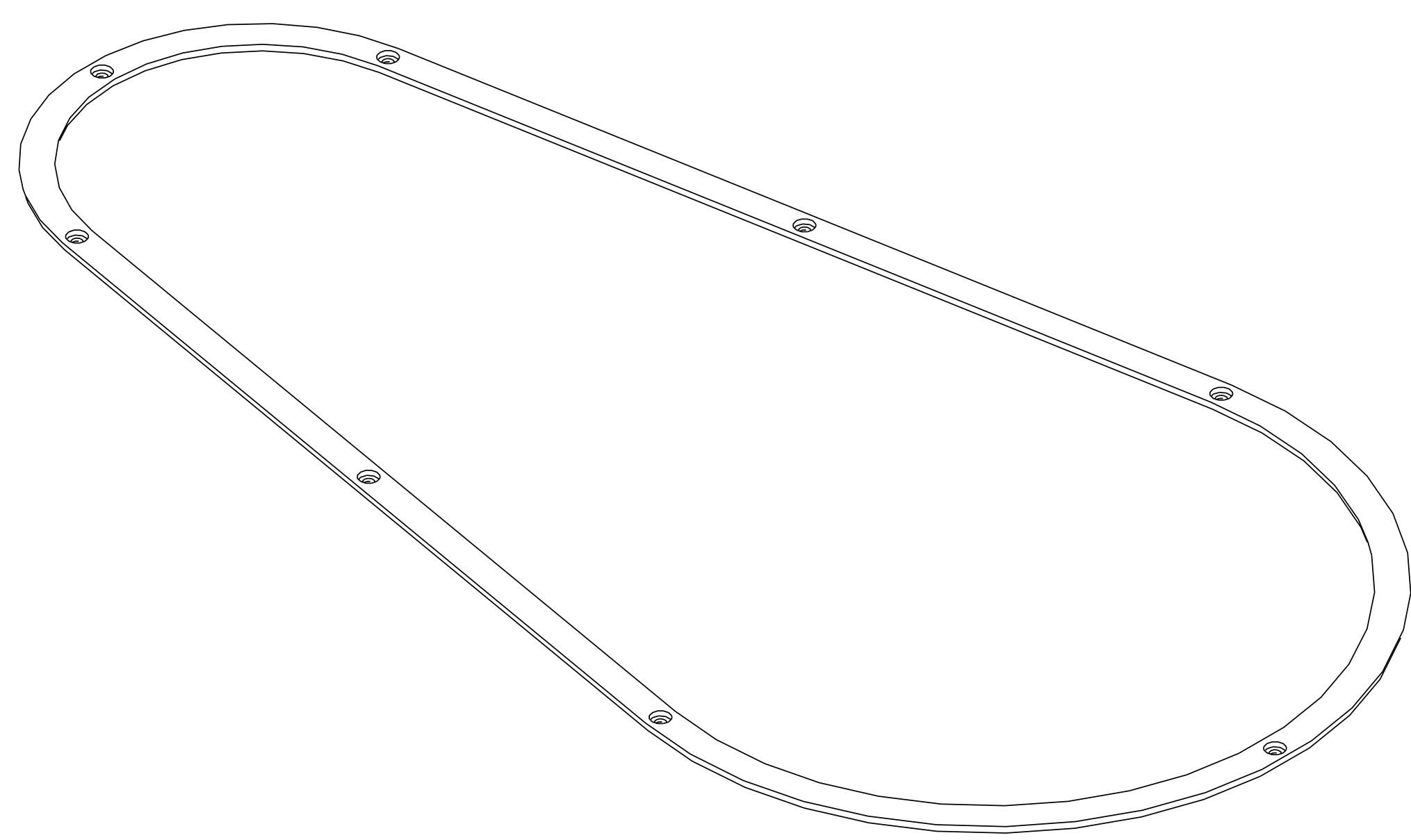


- NOTES:
1. INTERPRET DIMENSIONS AND TOLERANCES PER ANSI Y14.5M
 2. DIMENSIONS ARE IN INCHES
 3. FABRICATION, INSPECTION, AND TESTING SHALL BE PERFORMED IN ACCORDANCE WITH SPECIFICATION NCSX-CSPEC-121-02 AND STATEMENT OF WORK NCSX-SOW-121-03.



DETAIL X
SCALE 4.00



ISOMETRIC VIEW

SEE DETAIL X

SECTION B-B

**RELEASED FOR
FABRICATION / INSTALLATION**
PPPL Drafting:

SCALE: 0.50

next assy	AR	CAGE CODE	PART OR IDENTIFYING NO	NOMENCLATURE OR DESCRIPTION	MATERIAL	SPECIFICATION	FIND NO
SE120-004	-1		PORT 12 SEAL RETAINER DETAIL	SS 316L			
← NEXT ASSEMBLY				PARTS LIST			

NO REPRESENTATION OR WARRANTY, EXPRESSED OR IMPLIED, IS MADE AS TO THE ACCURACY, COMPLETENESS OR USEFULNESS OF THE INFORMATION OR STATEMENTS CONTAINED IN THESE DRAWINGS, OR THAT THE USE OR DISCLOSURE OF ANY INFORMATION, APPARATUS, METHOD OR PROCESS DISCLOSED IN THESE DRAWINGS MAY NOT INFRINGE PRIVATE RIGHTS OF OTHERS. NO LIABILITY IS ASSUMED WITH RESPECT TO THE USE OF, OR FOR DAMAGES RESULTING FROM THE USE OF, ANY INFORMATION, APPARATUS, METHOD OR PROCESS DISCLOSED IN THESE DRAWINGS. DRAWINGS MADE AVAILABLE FOR INFORMATION TO BIDDER ARE NOT TO BE USED FOR OTHER PURPOSES, AND ARE TO BE RETURNED UPON REQUEST OF THE FORWARDING CONTRACTOR.

P THIS DRAWING PRODUCED ON PRO-ENGINEER

REV	DESCRIPTION	BY	DATE	CHK	DEPT	DATE	PE	REQ	DATE	ORNL	DOE	DATE
2	REVISD PER ECN-4945	GHJ	2/28/05	MJC								
1	CHG DIM TO REF Δ ADDED DIM	MJC	11/02/04	PLG								
1	TOLERANCE WAS +.000 - .003											
1	DIMENSION WAS .541											

SCALE	NOTED	DES	DATE	DRW	DATE	CHK	DATE	SECT	DEPT	PE	CR	PJ	REG	PPPL	DRFT	DATE	VERSION NO.	PLANT	BLDG	FL	SHT	OF	TYPE	CLASS
		P. GORANSON	5-27-04	G. LOVETT	5-27-04	MT BROWN	6-01-04							J. SIEGEL	6/04			X-10	5700	3	1	1	S	U
															UT-BATTELLE Oak Ridge National Laboratory managed for the DEPARTMENT OF ENERGY under U.S. GOVERNMENT contract DE-AC05-00OR22725 UT-BATTELLE, LLC, Oak Ridge, Tennessee PROJECT NAME NATIONAL COMPACT STELLARATOR EXPERIMENT VACUUM VESSEL PORT 12 SEAL RETAINER DETAIL									
															RELEASE LEVEL Fabrication SE122-019 REV 2									

B SE122-019

A