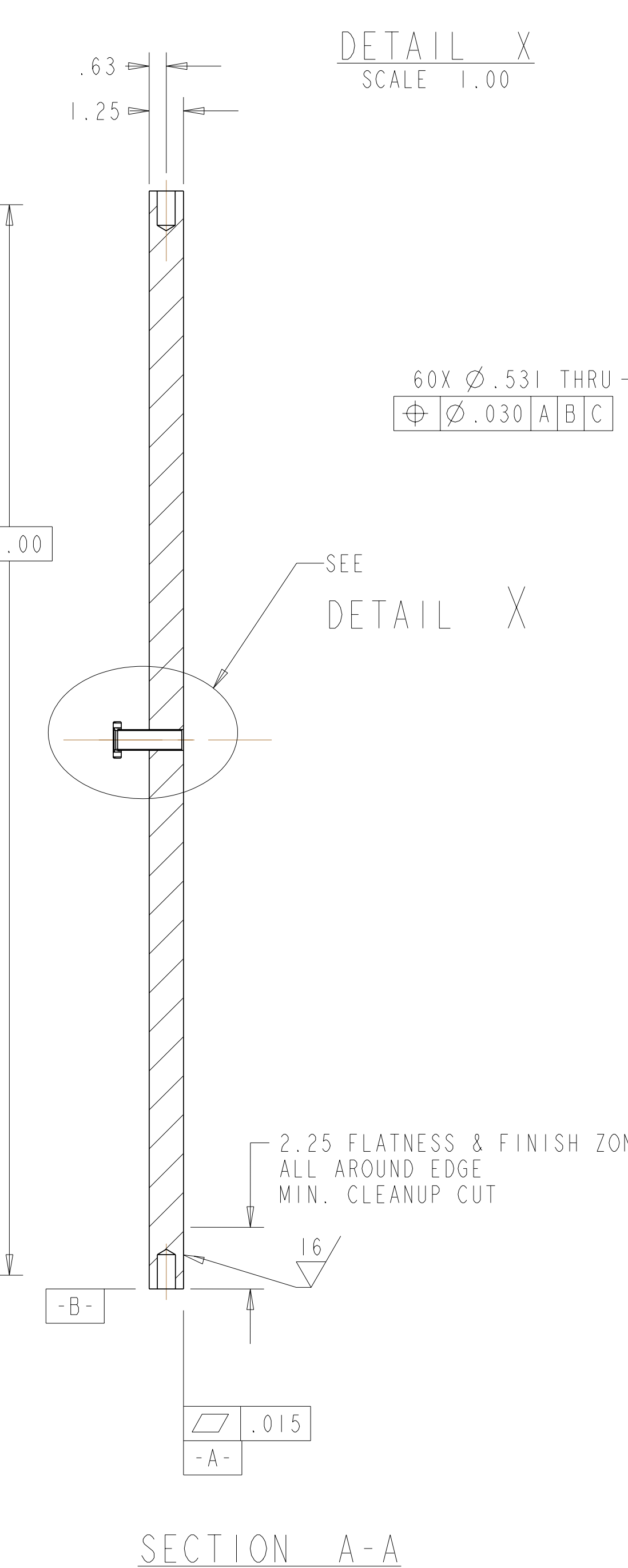
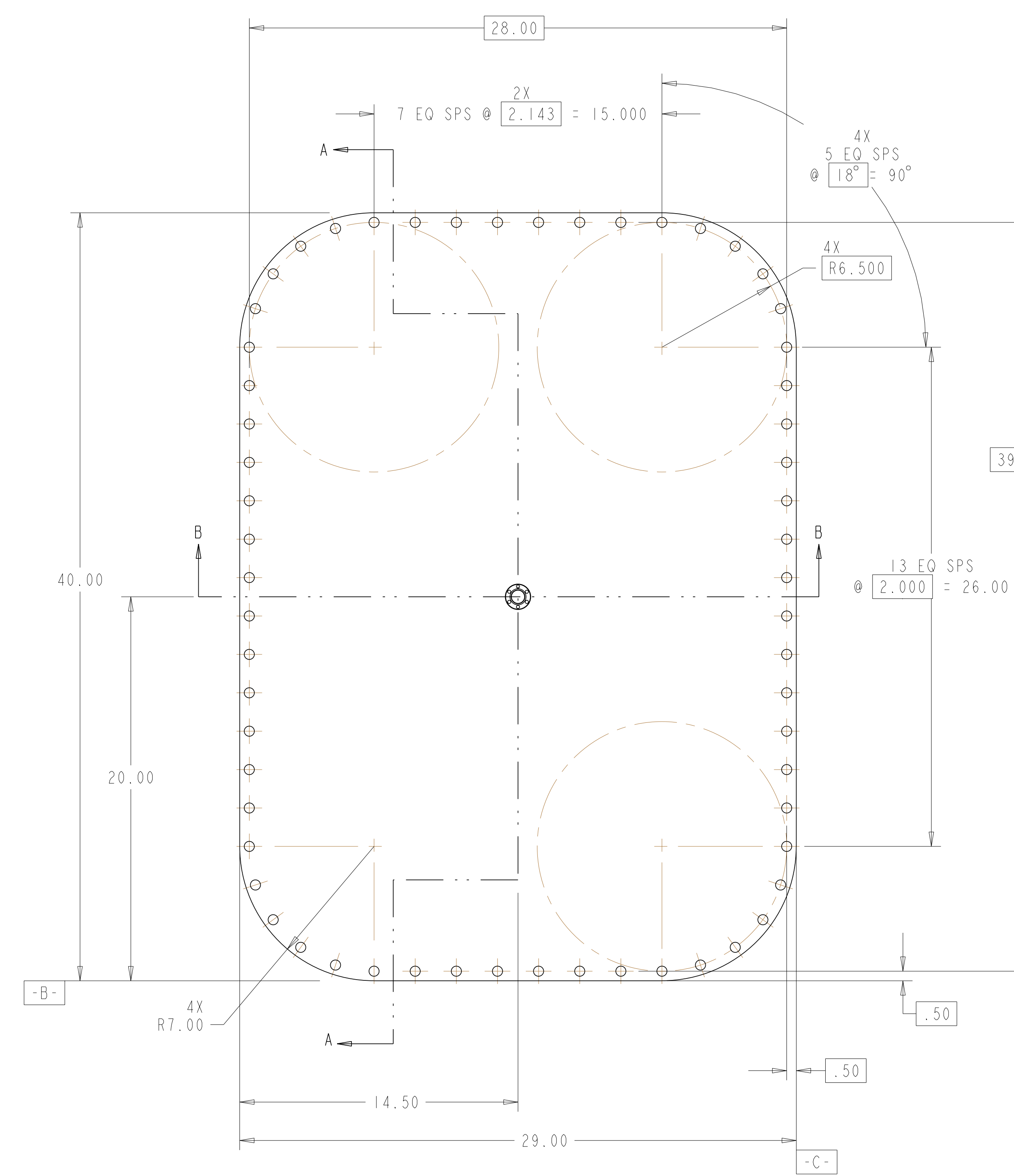
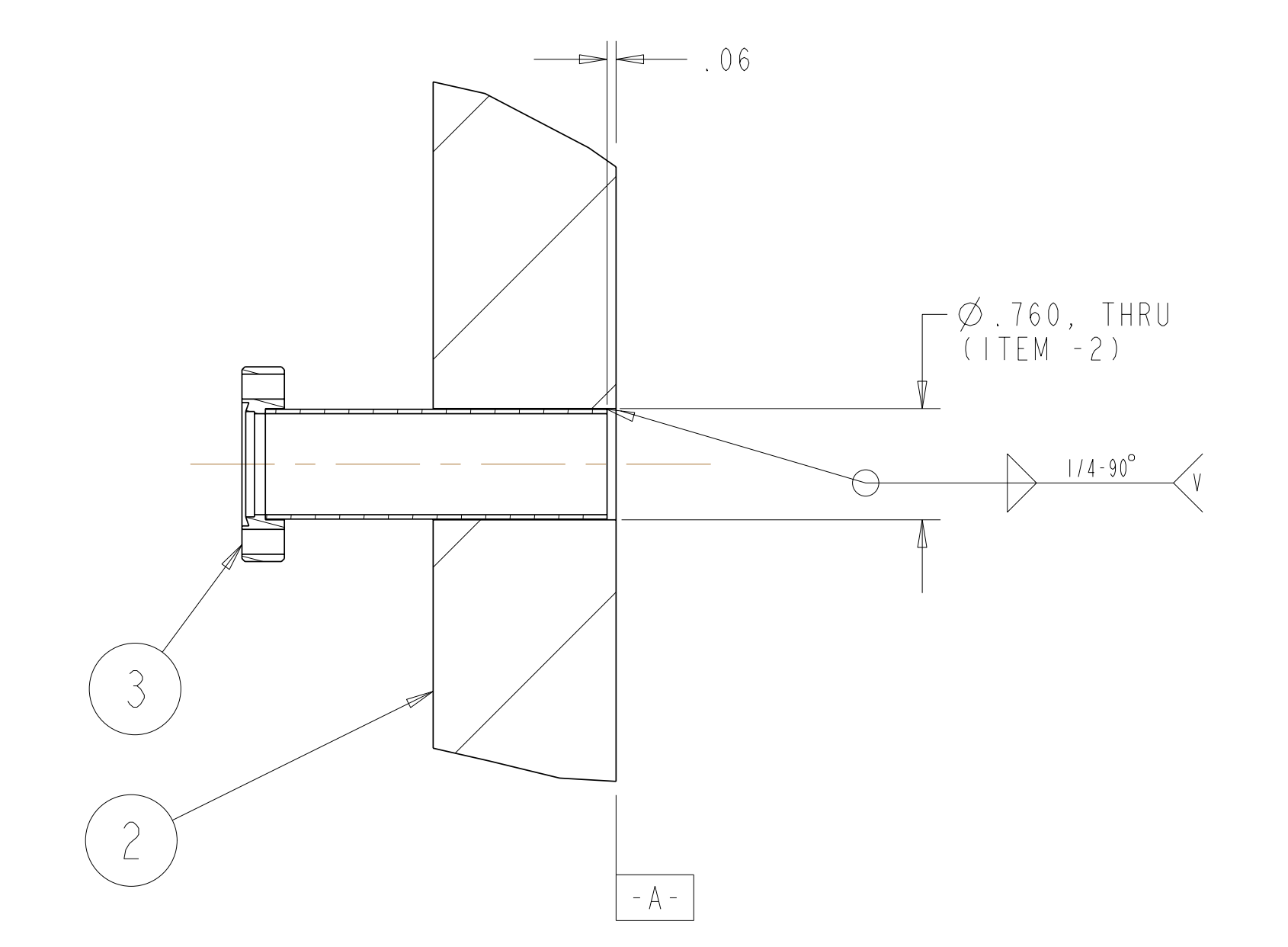
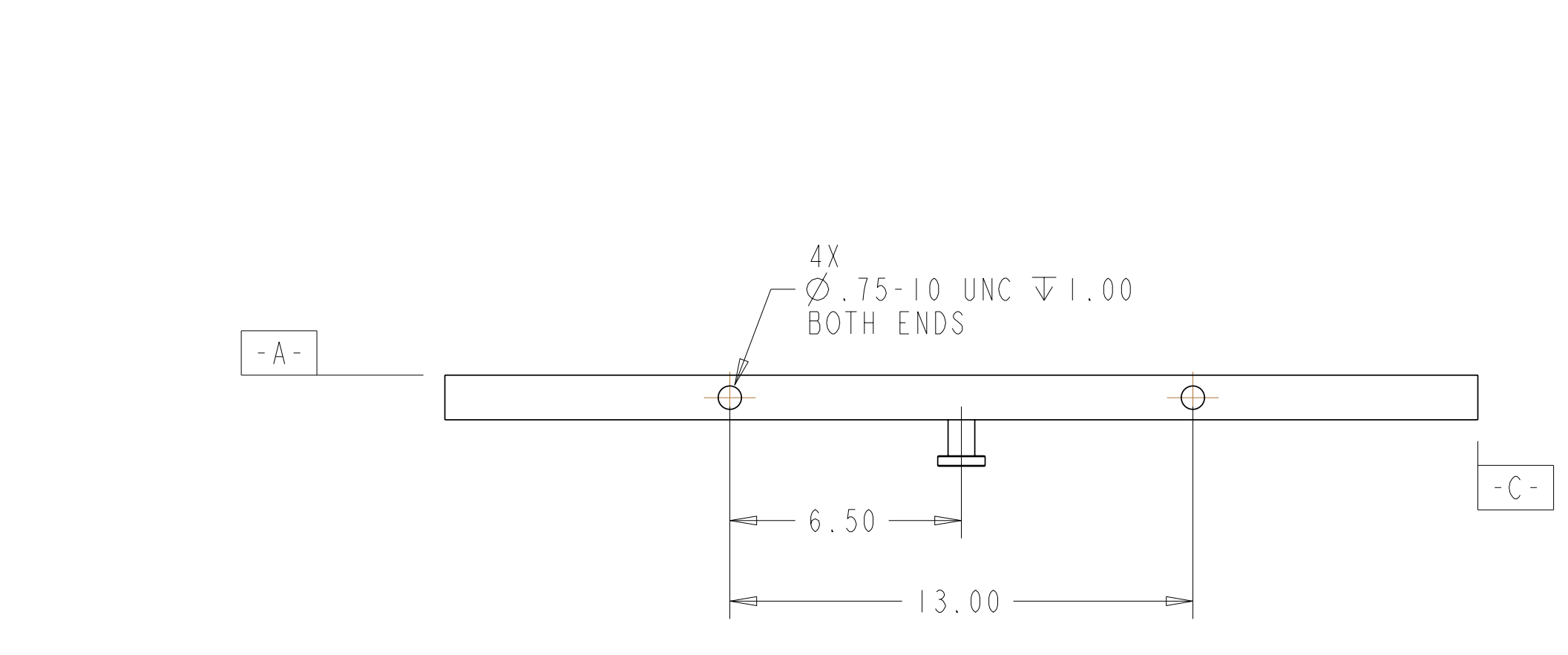


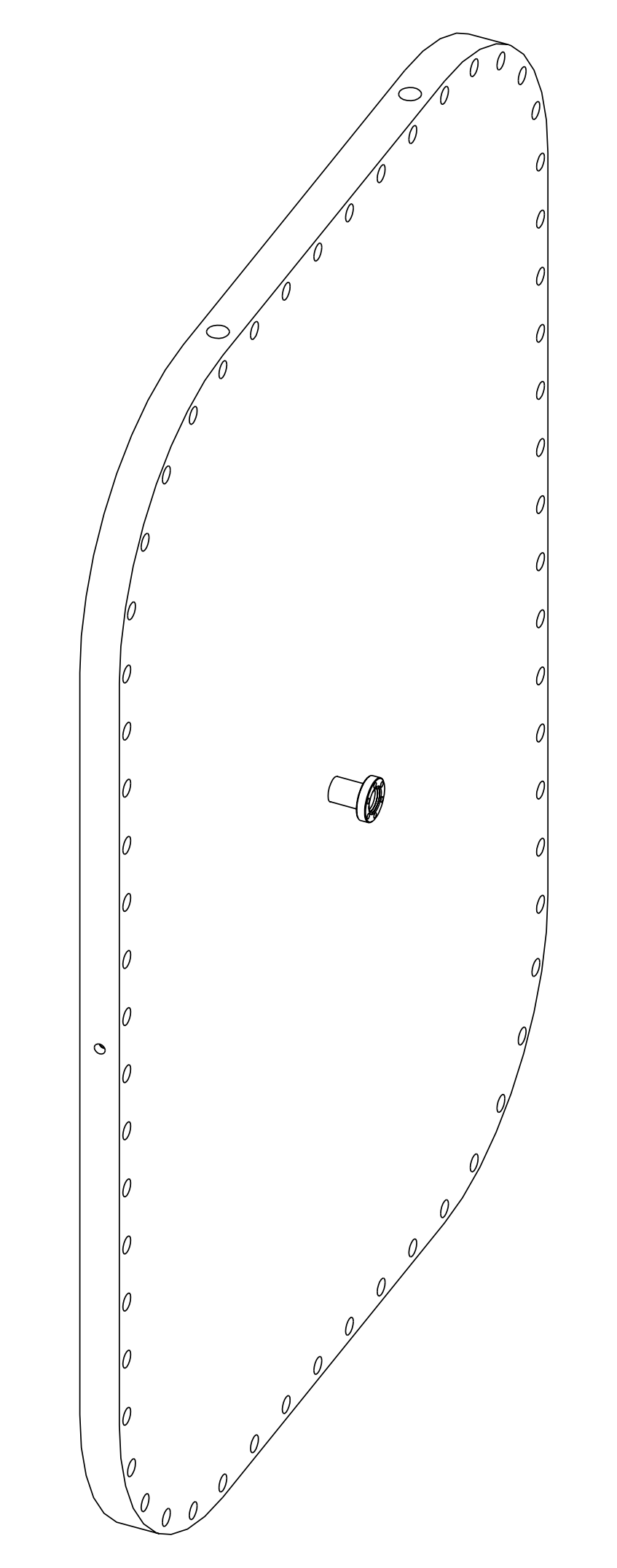
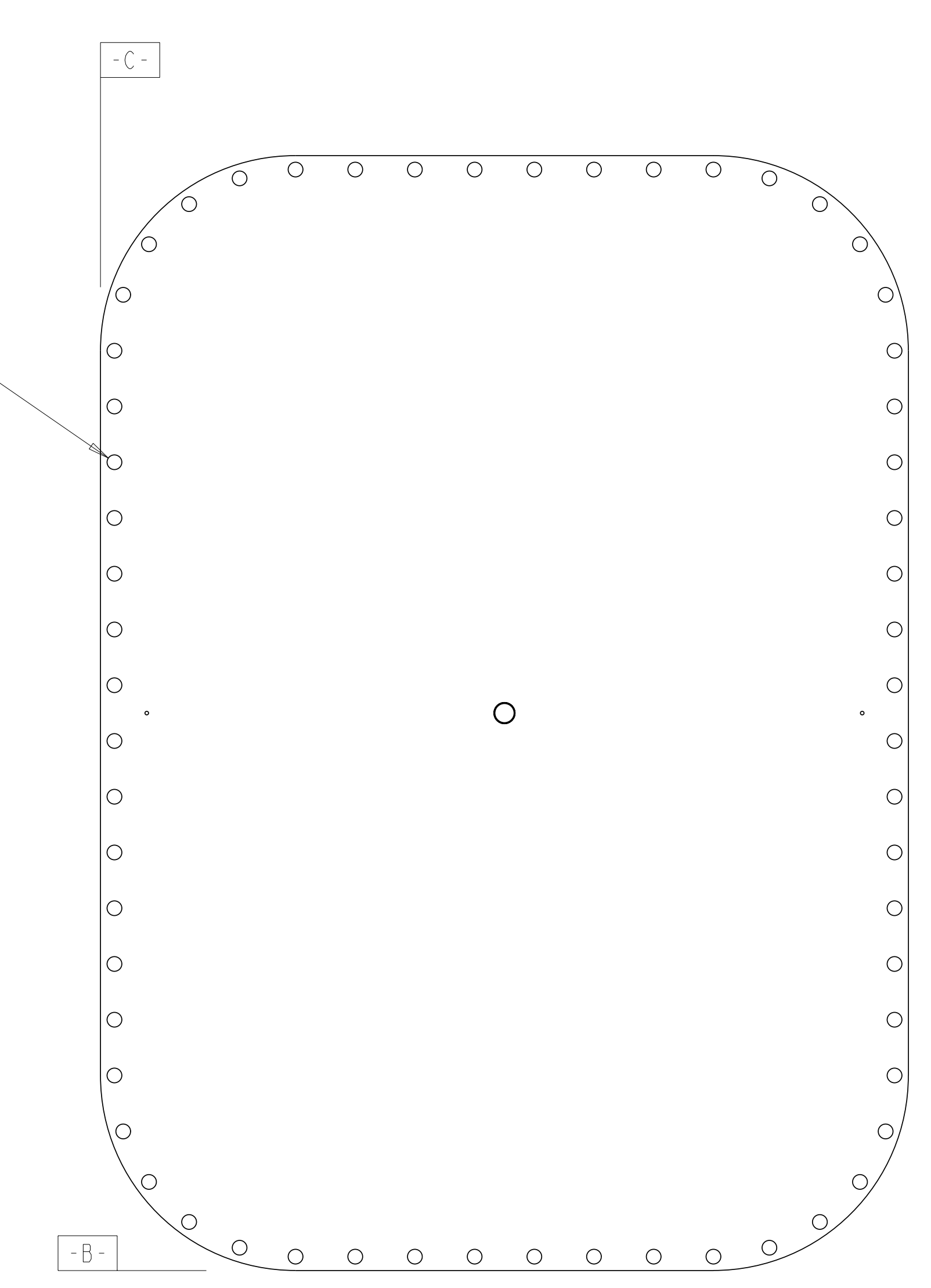
- NOTES:
1. INTERPRET DIMENSIONS AND TOLERANCES PER ANSI Y14.5M.
 2. DIMENSION ARE IN INCHES.
 3. FABRICATION, INSPECTION, AND TESTING SHALL BE PERFORMED IN ACCORDANCE WITH SPECIFICATION NCSX-CSPEC-121-02 AND STATEMENT OF WORK NCSX-SOW-121-03.
 4. LEAK CHECK OF ITEM -3 (HALF NIPPLE) OPTIONAL.



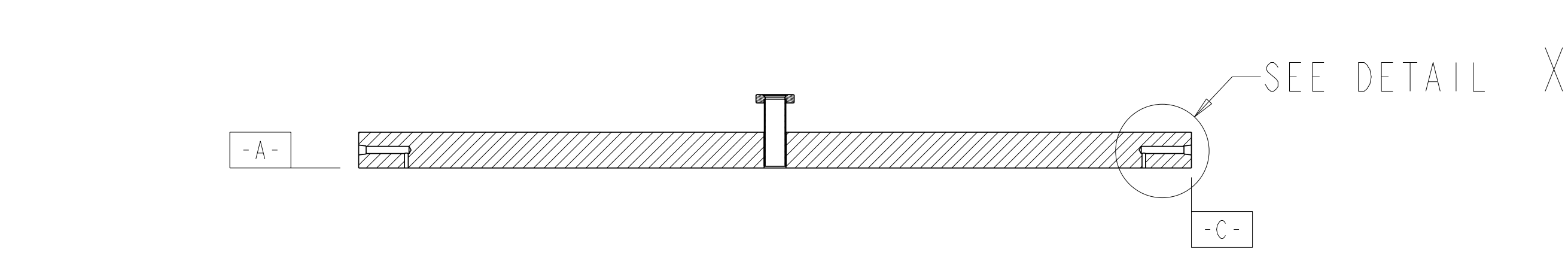
DETAIL X
SCALE 1.00

SEE
DETAIL X

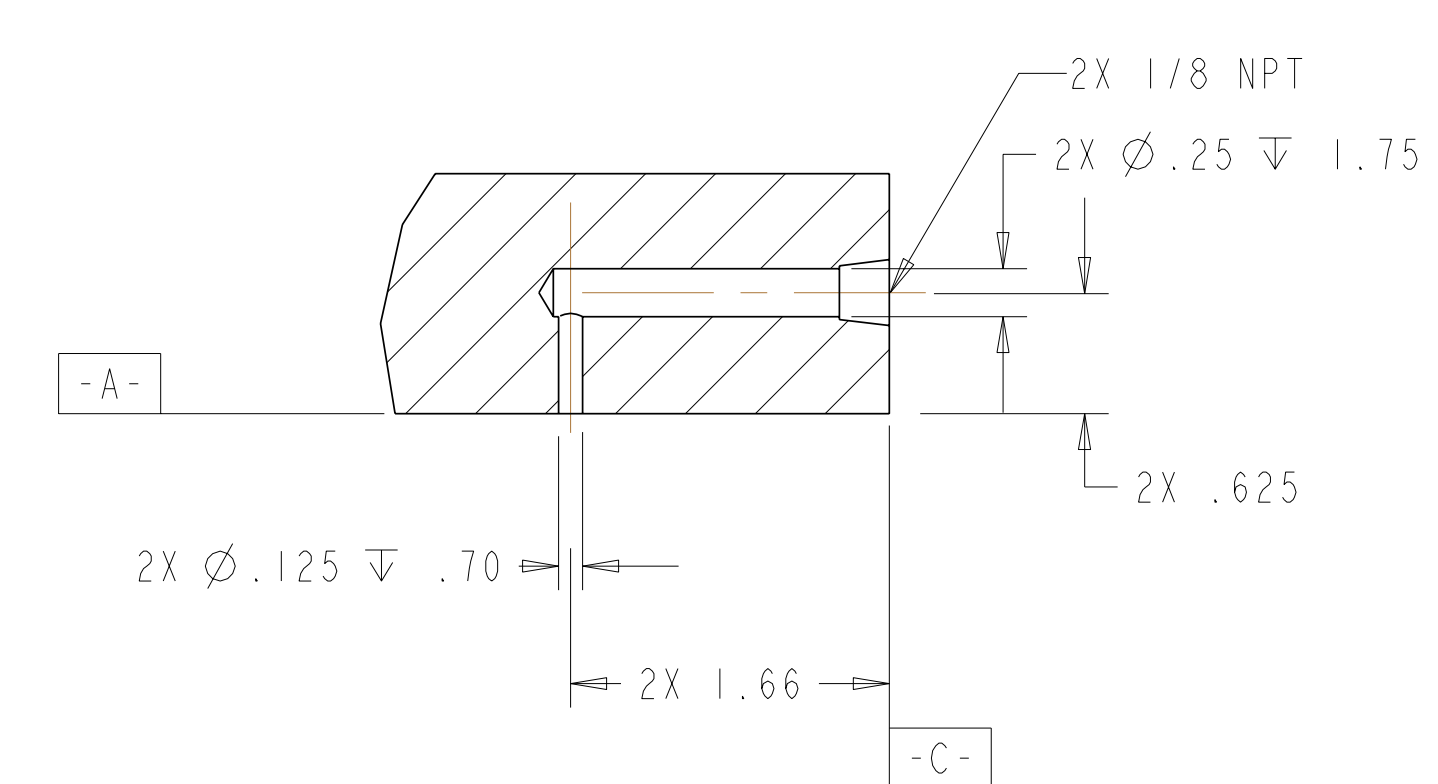
SECTION A-A



ISOMETRIC VIEW



SECTION B-B



SCALE: .25

DETAIL X
SCALE 1.00

WELDING ENGINEER
 APPROVED R. PARSELLS DATE: 6/09

AR	CAGE CODE	PART OR IDENTIFYING NO	NOMENCLATURE OR DESCRIPTION	MATERIAL	SPECIFICATION	FIND NO
		-4	WELD FILLER METAL			4
		-3	HALF NIPPLE 1 1/3 DEL-SEAL CF CUSTOM LENGTH = 2.50"	NDC VACUUM PRODUCTS CORP. 23842 CABOT BOULEVARD, HAYWARD CA, 94545-1615		3
		-2	PORT 4 COVER TEST FLANGE	316L SST		2
		-1	PORT 4 COVER TEST FLANGE WELDMENT			1
SE120-004			NEXT ASSEMBLY			

PARTS LIST

RELEASED FOR FABRICATION / INSTALLATION
 PPPL Drafting:

NO REPRESENTATION OR WARRANTY, EXPRESSED OR IMPLIED, IS MADE AS TO THE ACCURACY, COMPLETENESS OR USEFULNESS OF THE INFORMATION OR STATEMENTS CONTAINED IN THESE DRAWINGS, OR THAT THE USE OR DISCLOSURE OF ANY INFORMATION, APPARATUS, METHOD OR PROCESS DISCLOSED IN THESE DRAWINGS MAY NOT INFRINGE PRIVATE RIGHTS OF OTHERS. NO LIABILITY IS ASSUMED WITH RESPECT TO THE USE OF, OR FOR DAMAGES RESULTING FROM THE USE OF, ANY INFORMATION, APPARATUS, METHOD OR PROCESS DISCLOSED IN THESE DRAWINGS. DRAWINGS MADE AVAILABLE FOR INFORMATION TO BIDDER ARE NOT TO BE USED FOR OTHER PURPOSES, AND ARE TO BE RETURNED UPON REQUEST OF THE FORWARDING CONTRACTOR.

P THIS DRAWING PRODUCED ON PRO-ENGINEER

REV	DESCRIPTION	BY	DATE	CHK	DEPT	DATE	PE	REQ	DATE	ORNL	DOE	DATE
1	ADDED NOTE 4											
2	REVISED PER ECN-4945	GHJ	2/28/05	MJC								

SCALE	NOTED	DES	PL	8/03
		DRW	G.H. JONES	8/03
		CHK	D SPARKS	6/04
		SECT		
		DEPT		
		PE		
		CR		
		PJ		
		REQ		
		PPPL DRFT	J. SIEGEL	6/04
		VERSION NO.		
		PLANT	X-10	
		BLDG	5700	
		FL	03	
		SHT	1	
		OF	1	
		TYPE	A	
		CLASS	U	
		REV	1	
		DATE		
		RELEASE LEVEL		
		Fabrication		
		SE122-149		

SE122-149

A