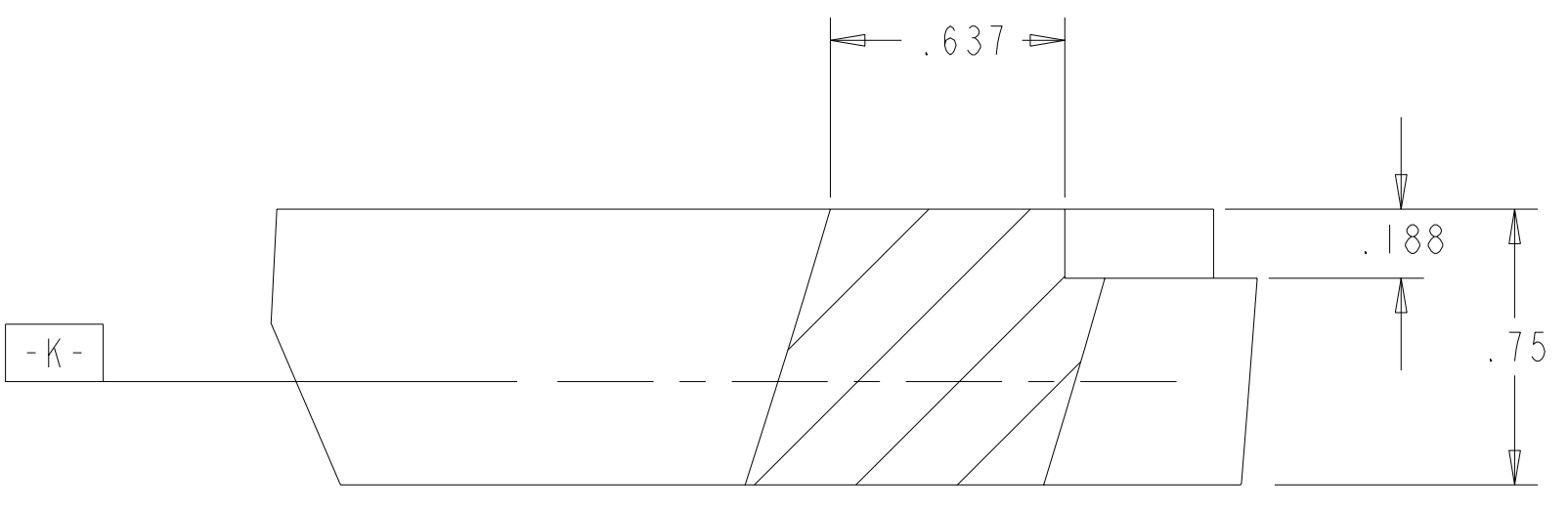
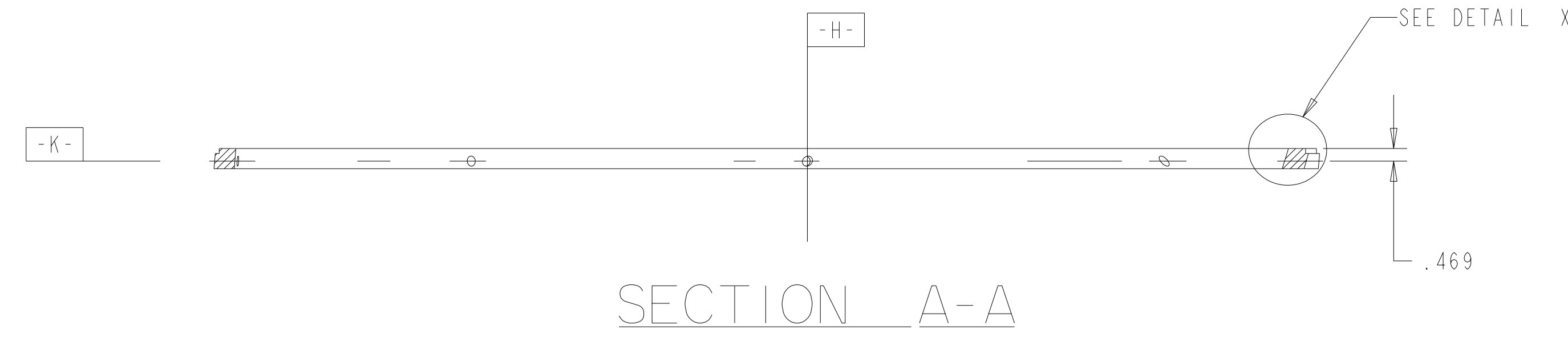
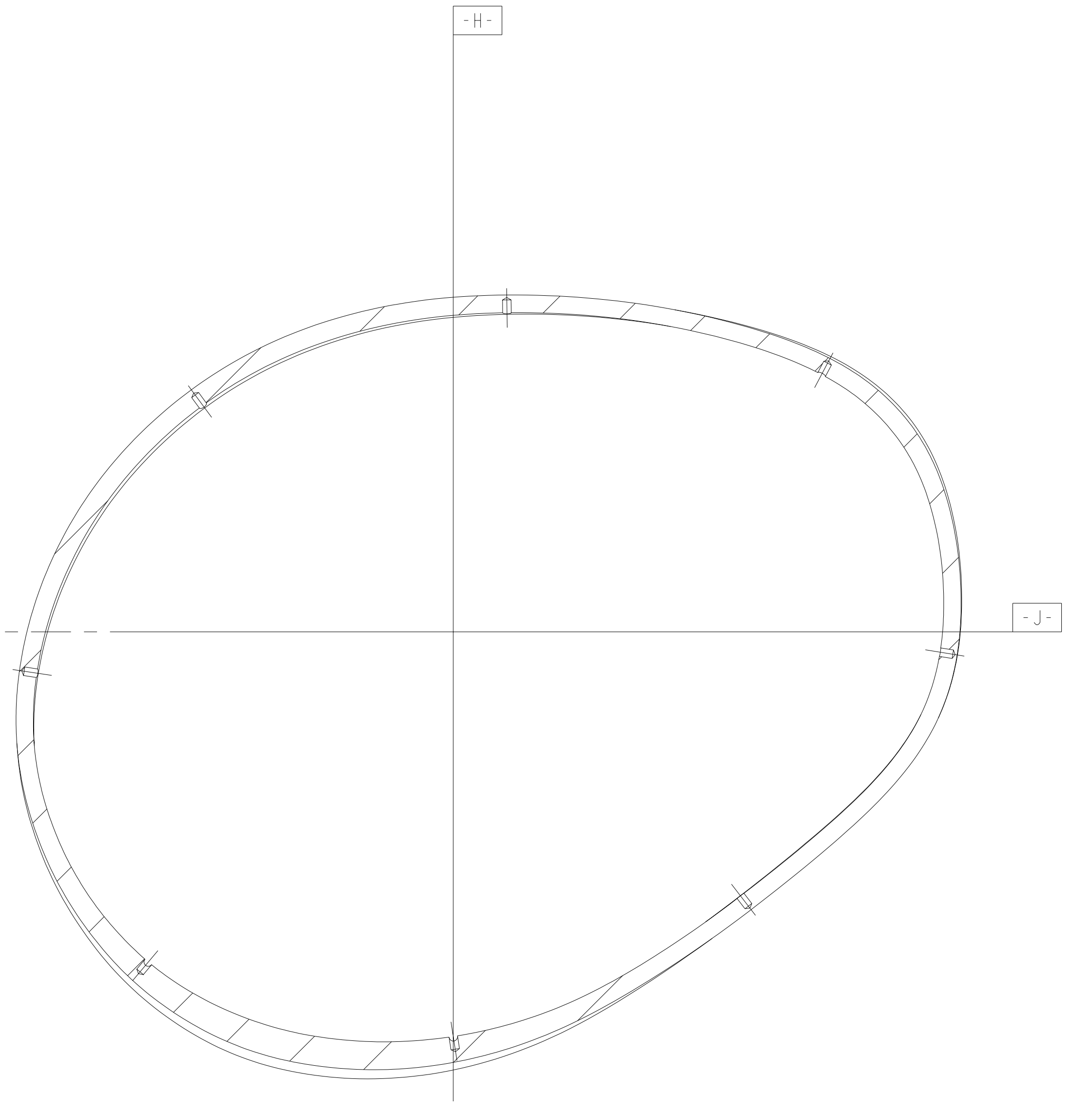
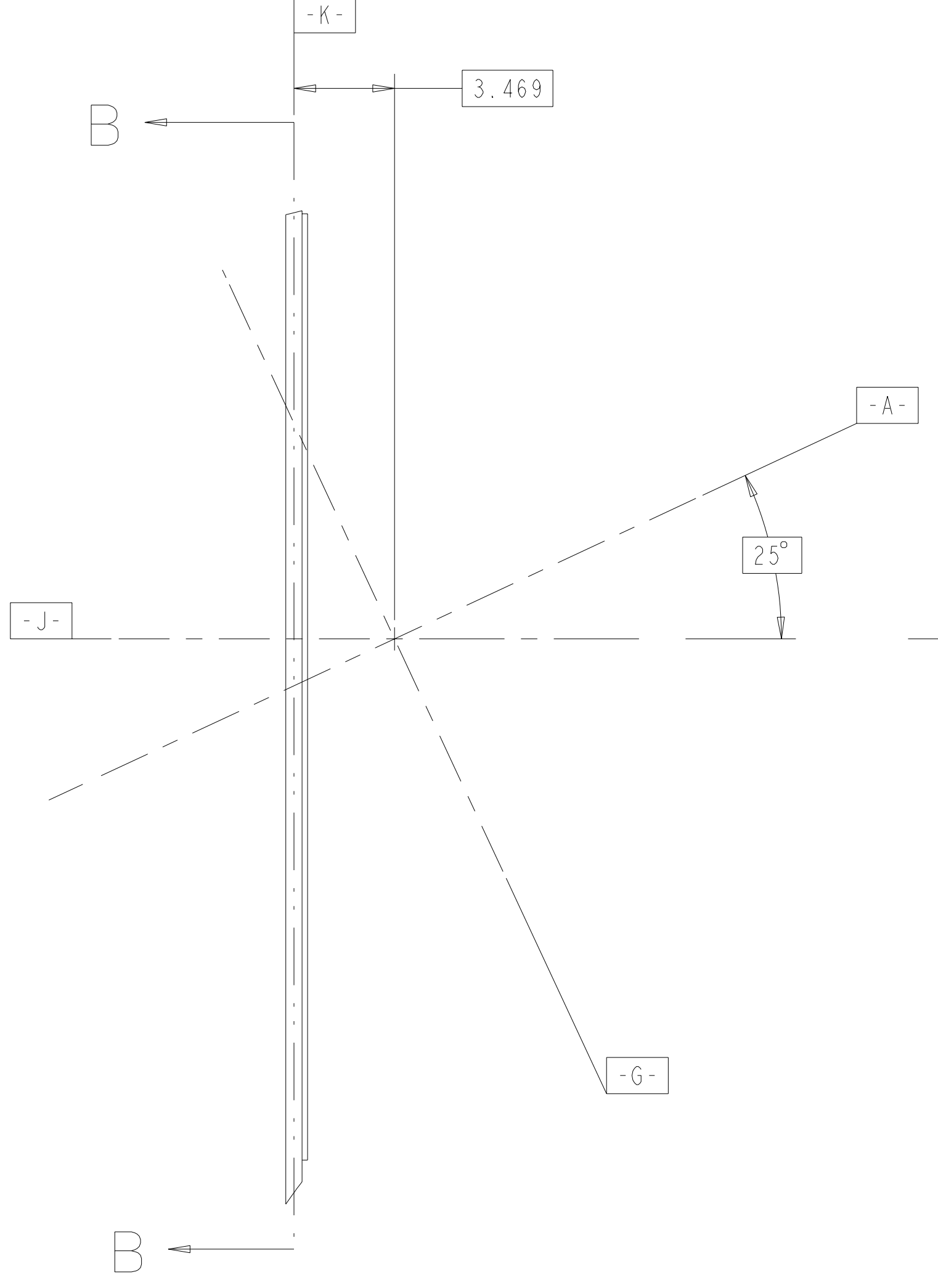
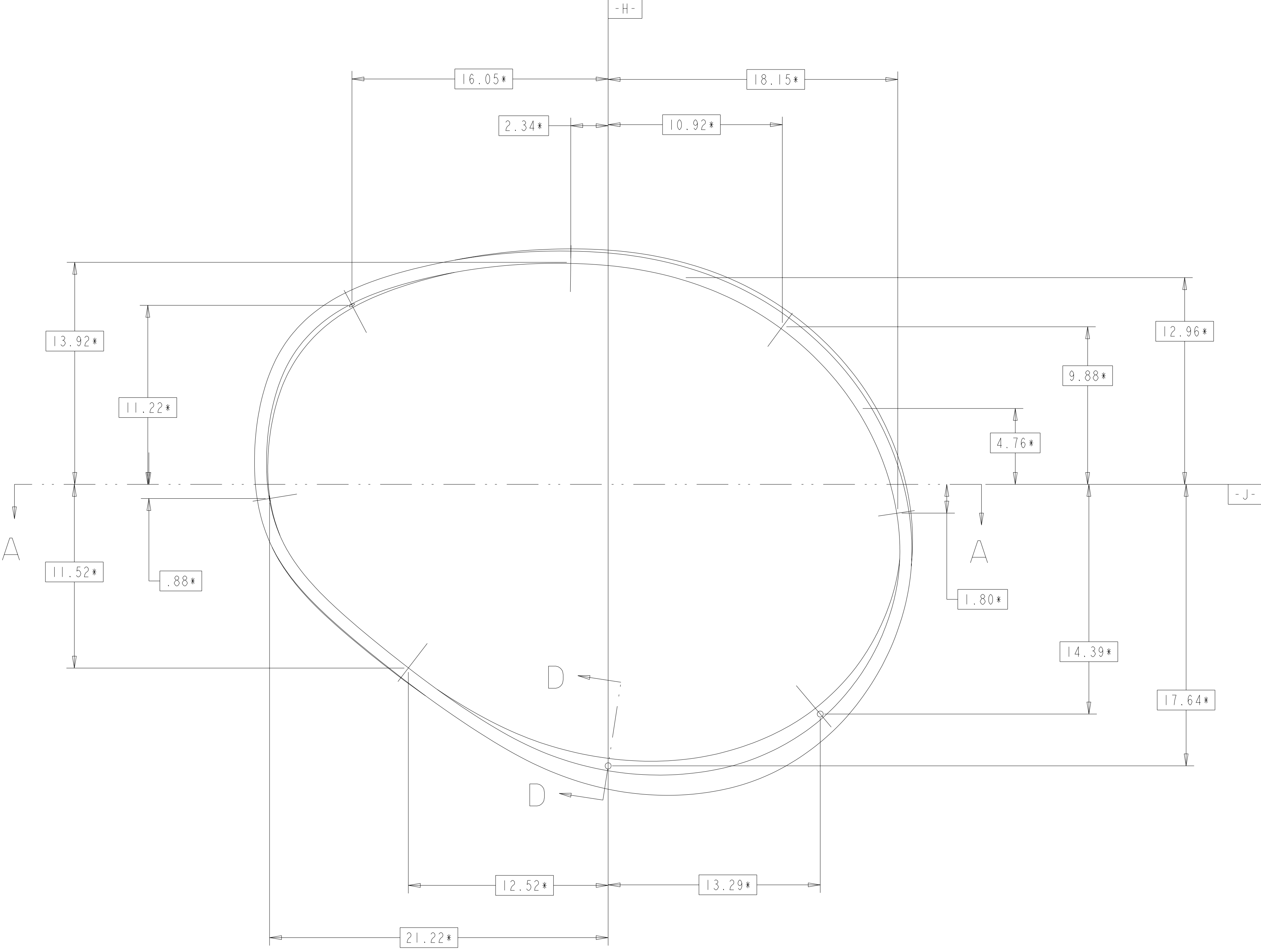


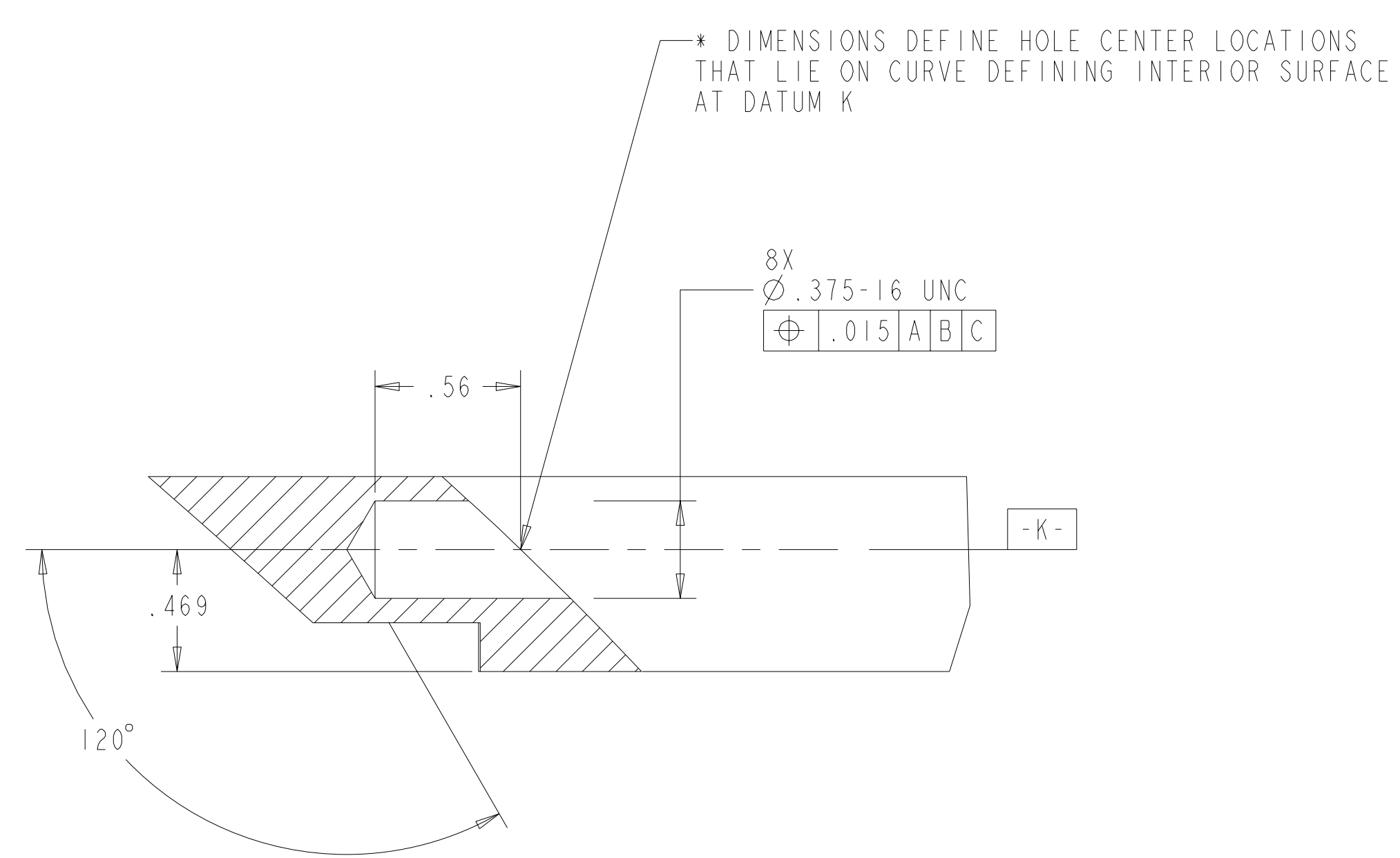
- NOTES:
1. INTERPRET DIMENSIONS AND TOLERANCES PER ANSI Y14.5M.
 2. DIMENSION ARE IN INCHES.
 3. FABRICATION, INSPECTION, AND TESTING SHALL BE PERFORMED IN ACCORDANCE WITH SPECIFICATION NCSX-C-SPEC-121-02 AND STATEMENT OF WORK NCSX-SOW-121-03.



DETAIL X
SCALE 2.00



SECTION B-B



SECTION D-D
SCALE 2.000

RELEASED FOR FABRICATION / INSTALLATION
PPPL Drafting:

next assy	AR	CAGE CODE	PART OR IDENTIFYING NO	FLANGE NOMENCLATURE OR DESCRIPTION	UNS N06625	SPECIFICATION	FIND NO
SE121-004							1

← NEXT ASSEMBLY

PARTS LIST

NO REPRESENTATION OR WARRANTY, EXPRESSED OR IMPLIED, IS MADE AS TO THE ACCURACY, COMPLETENESS OR USEFULNESS OF THE INFORMATION OR STATEMENTS CONTAINED IN THESE DRAWINGS, OR THAT THE USE OR DISCLOSURE OF ANY INFORMATION, APPARATUS, METHOD OR PROCESS DISCLOSED IN THESE DRAWINGS MAY NOT INFRINGE PRIVATE RIGHTS OF OTHERS. NO LIABILITY IS ASSUMED WITH RESPECT TO THE USE OF, OR FOR DAMAGES RESULTING FROM THE USE OF, ANY INFORMATION, APPARATUS, METHOD OR PROCESS DISCLOSED IN THESE DRAWINGS. DRAWINGS MADE AVAILABLE FOR INFORMATION TO BIDDERS ARE NOT TO BE USED FOR OTHER PURPOSES, AND ARE TO BE RETURNED UPON REQUEST OF THE FORWARDING CONTRACTOR.

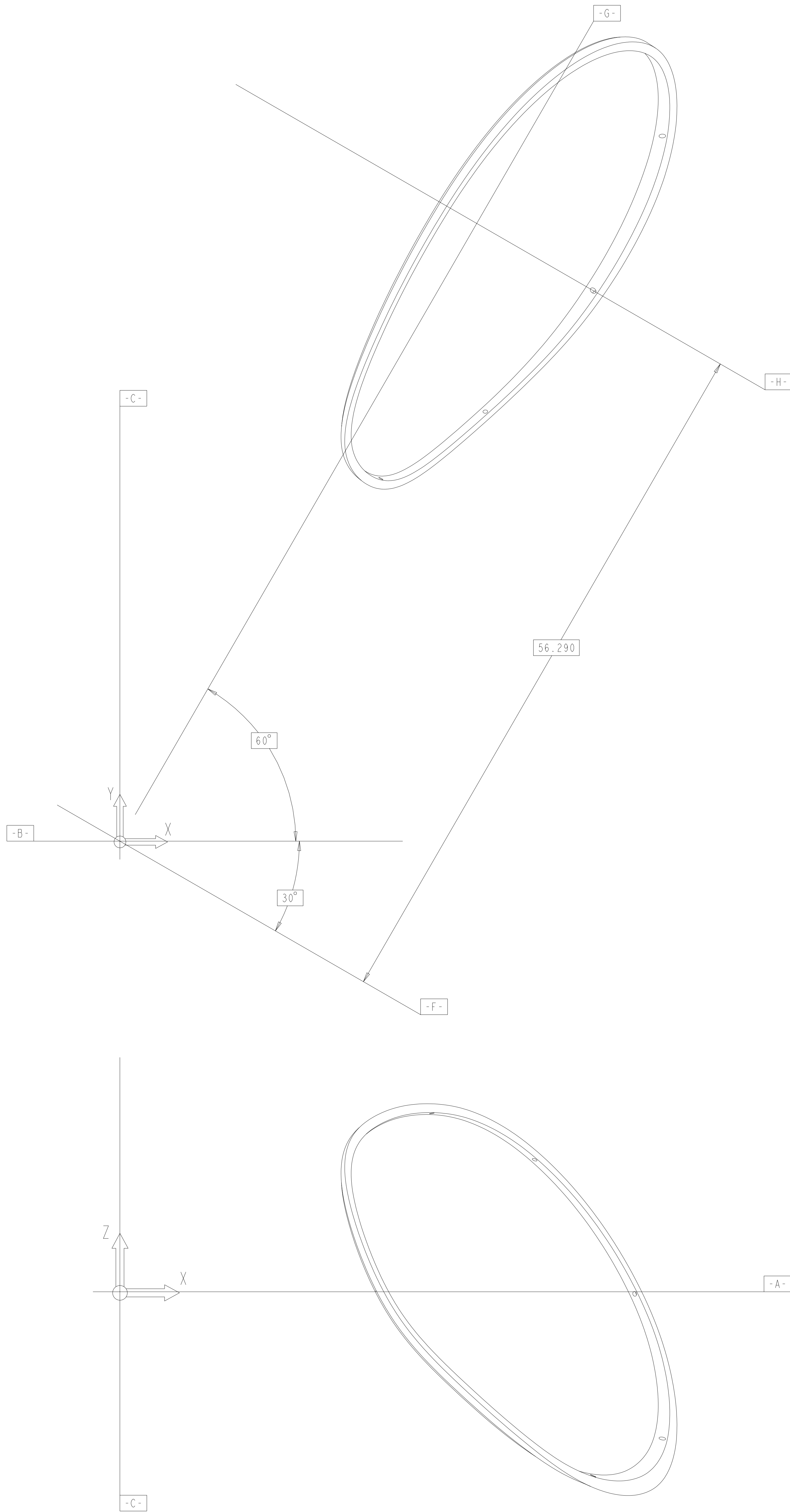
P THIS DRAWING PRODUCED ON PRO-ENGINEER

REV	DESCRIPTION	BY	DATE	CHK	DEPT	DATE	PE	REQ	DATE	ORNL	DOE	DATE

SCALE NOTED	DES. P. L. GORANSON 8/03
TOLERANCES UNLESS OTHERWISE SPECIFIED	DRW. G.H. JONES 8/03
FRACTIONS	CHK. M. J. COLE 6/04
XX DECIMALS ±.01	SECT. :
XXX DECIMALS ±.005	DEPT. :
ANGLES ±0°15'	PE. :
BREAK SHARP EDGES .06 MAX	CR. :
FINISH .125 UNLESS OTHERWISE SPECIFIED	PJ. :
	REQ. :
	PPPL DRFT J. SIEGEL 6/04
	DATE :
	DRAWING APPROVALS

UT-BATTELLE		Oak Ridge National Laboratory managed for the DEPARTMENT OF ENERGY under U.S. GOVERNMENT CONTRACT DE-AC05-00OR22725 UT-BATTELLE, LLC, Oak Ridge, Tennessee	
PROJECT NAME			
NATIONAL COMPACT STELLARATOR EXPERIMENT			
VACUUM VESSEL FLANGE DETAIL			
VERSION NO.	PLANT	BLDG	FL
15	X-10	5700	3
RELEASE LEVEL	SHT	OF	TYPE
Fabrication	1	2	S U
SE121-013	REV	0	

FOR NOTES AND PARTS, SEE SHEET 1.



DATUM A = PLANE THRU "XY"
 DATUM B = PLANE THRU "XZ"
 DATUM C = PLANE THRU "YZ"

**RELEASED FOR
 FABRICATION / INSTALLATION**
 PPPL Drafting:

UT-BATTELLE		Oak Ridge National Laboratory managed for the DEPARTMENT OF ENERGY under U.S. GOVERNMENT contract DE-AC05-00OR22725 UT-BATTELLE, LLC, Oak Ridge, Tennessee					
PROJECT NAME							
NATIONAL COMPACT STELLARATOR EXPERIMENT							
VACUUM VESSEL FLANGE DETAIL							
VERSION NO.	PLANT	BLDG	FL	SHT	OF	TYPE	CLASS
15	X-10	5700	3	2	2	S	U
RELEASE LEVEL		SE121-013					REV
Fabrication							0

SE121-013