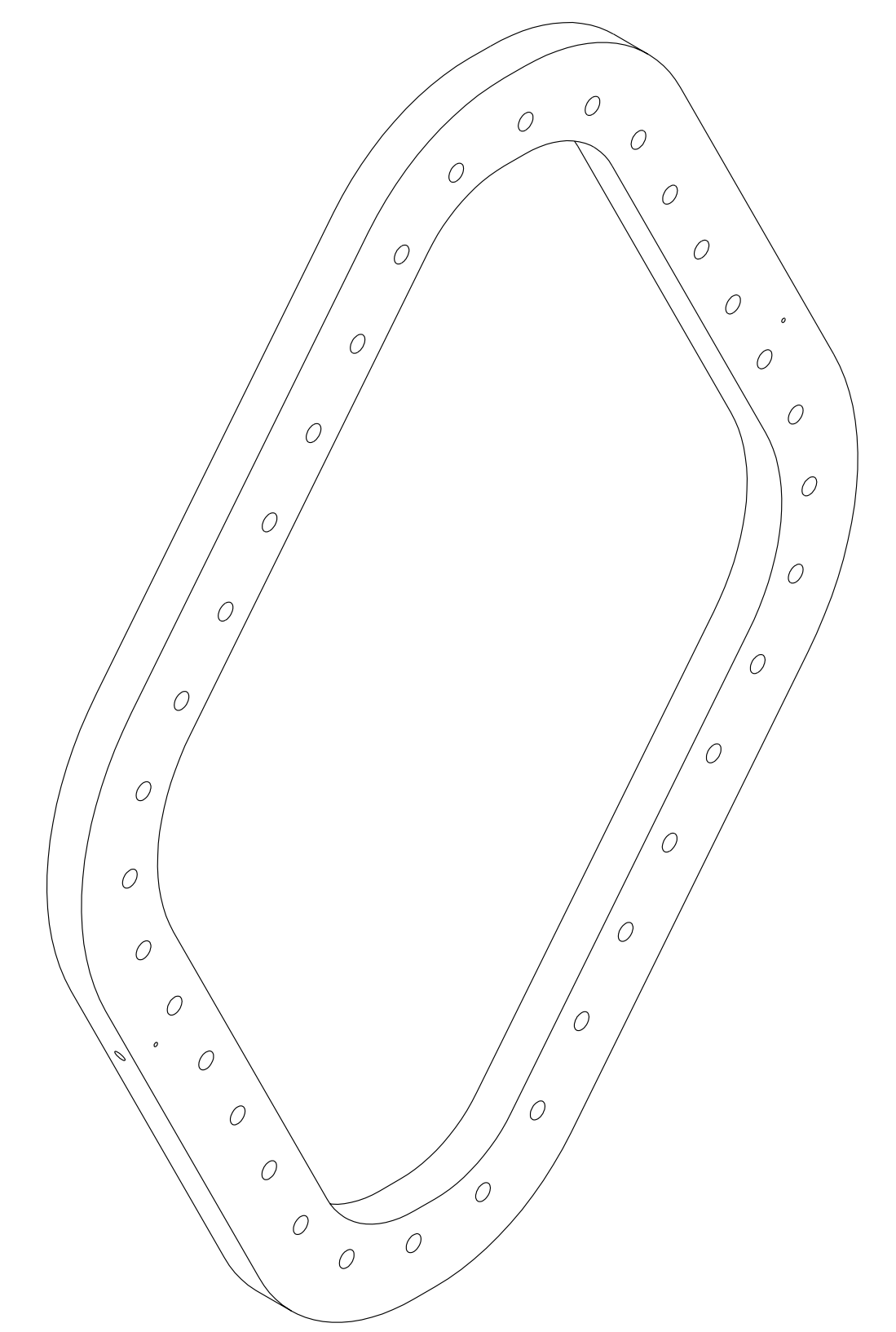
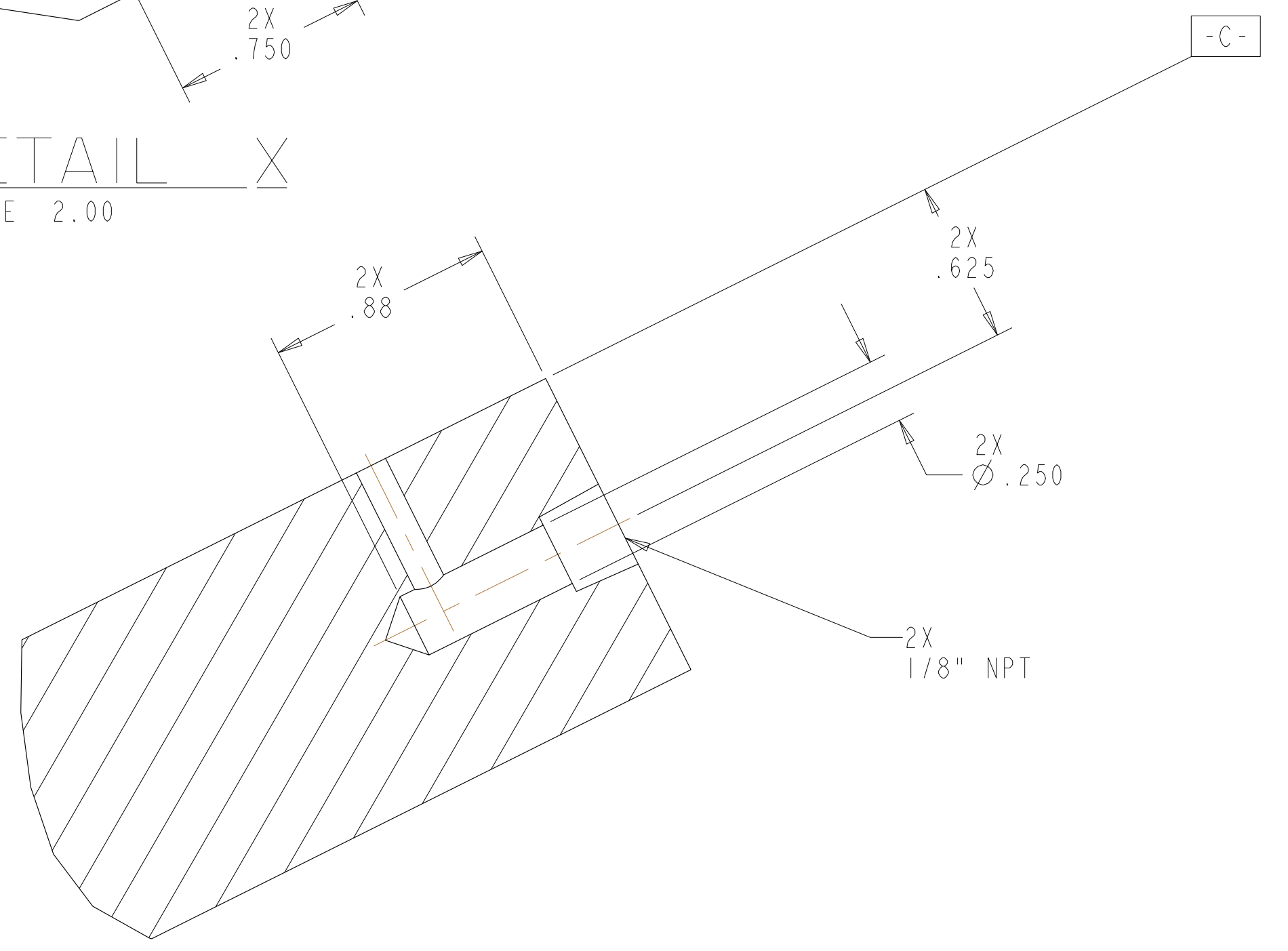
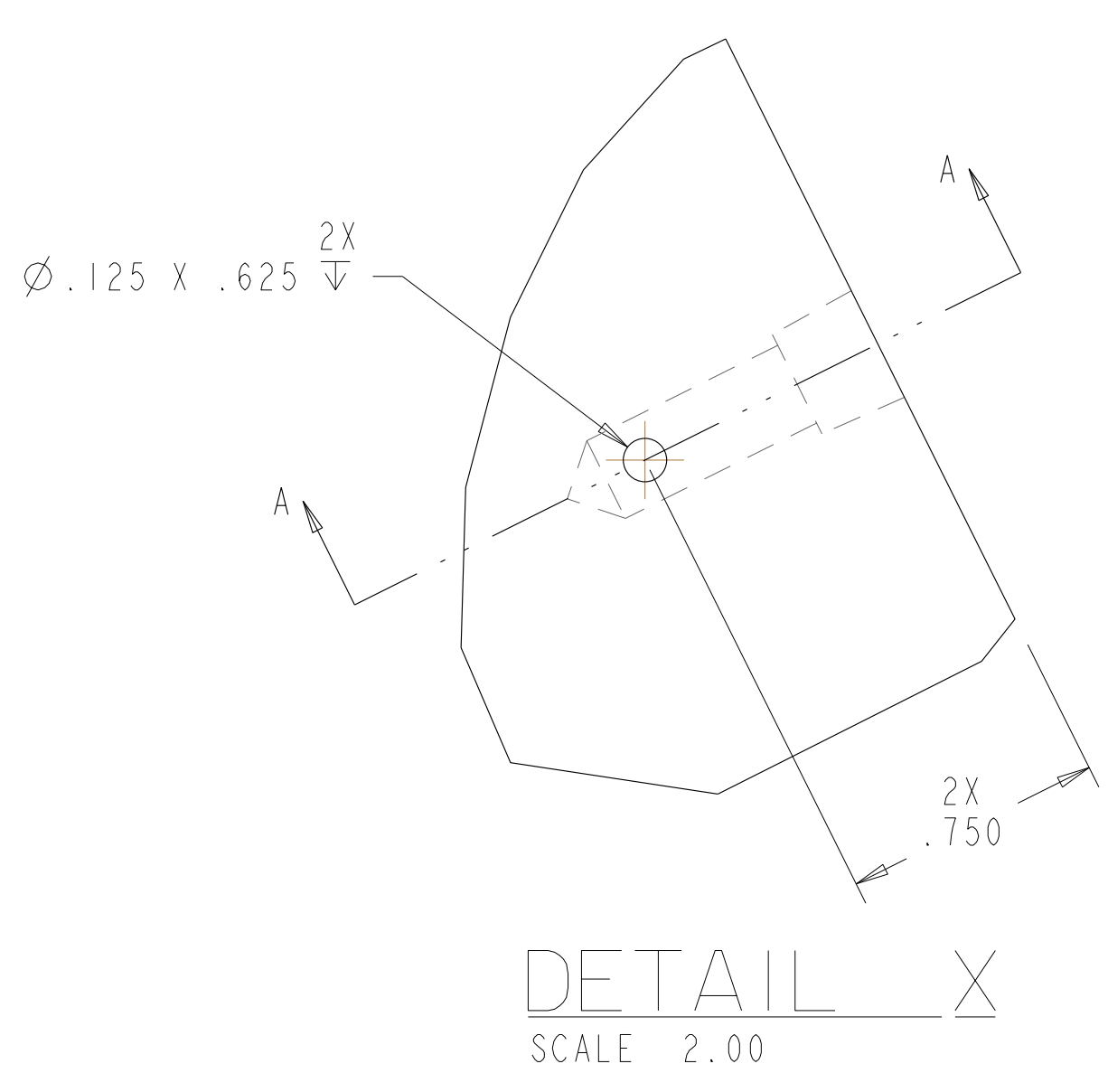
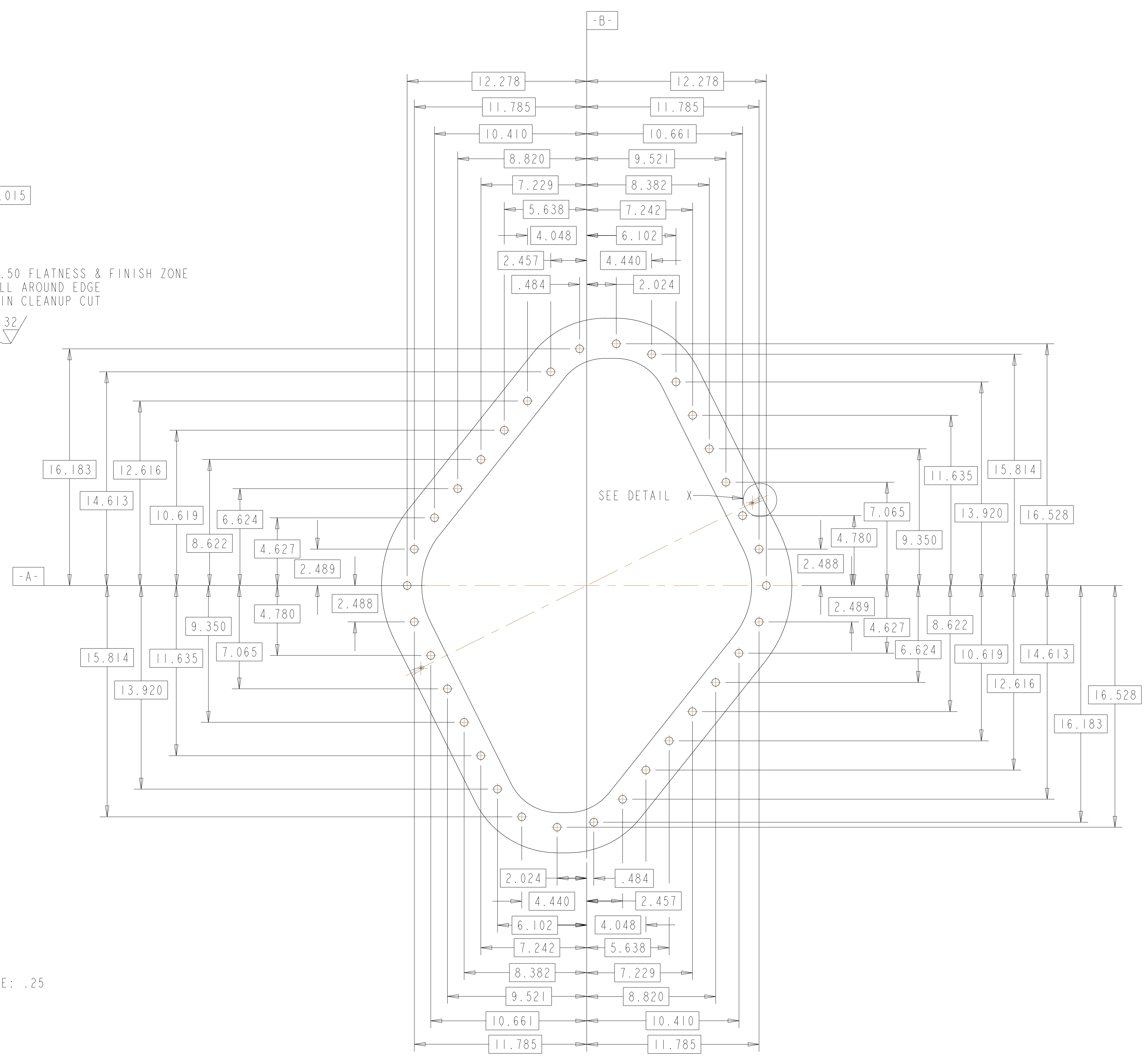
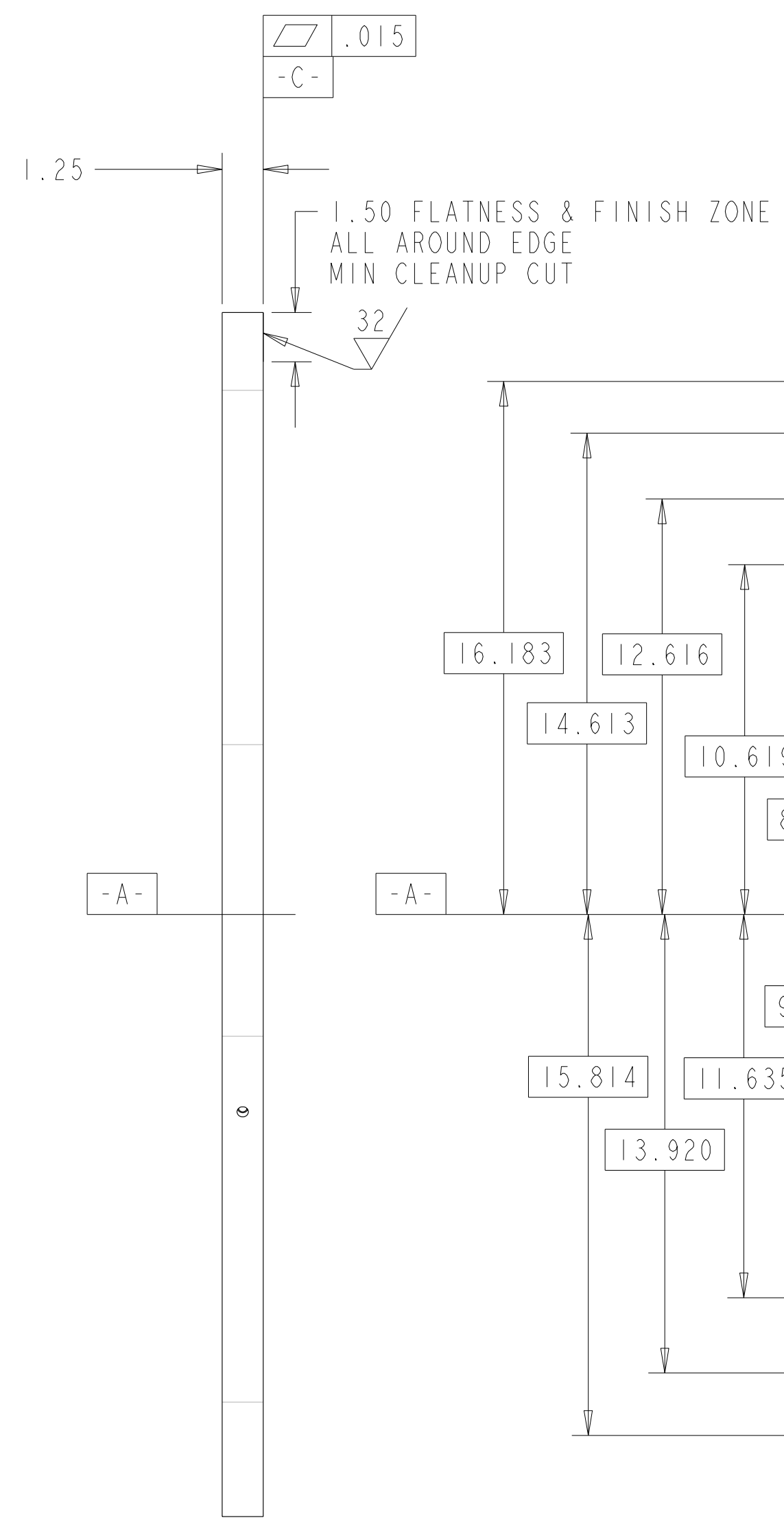
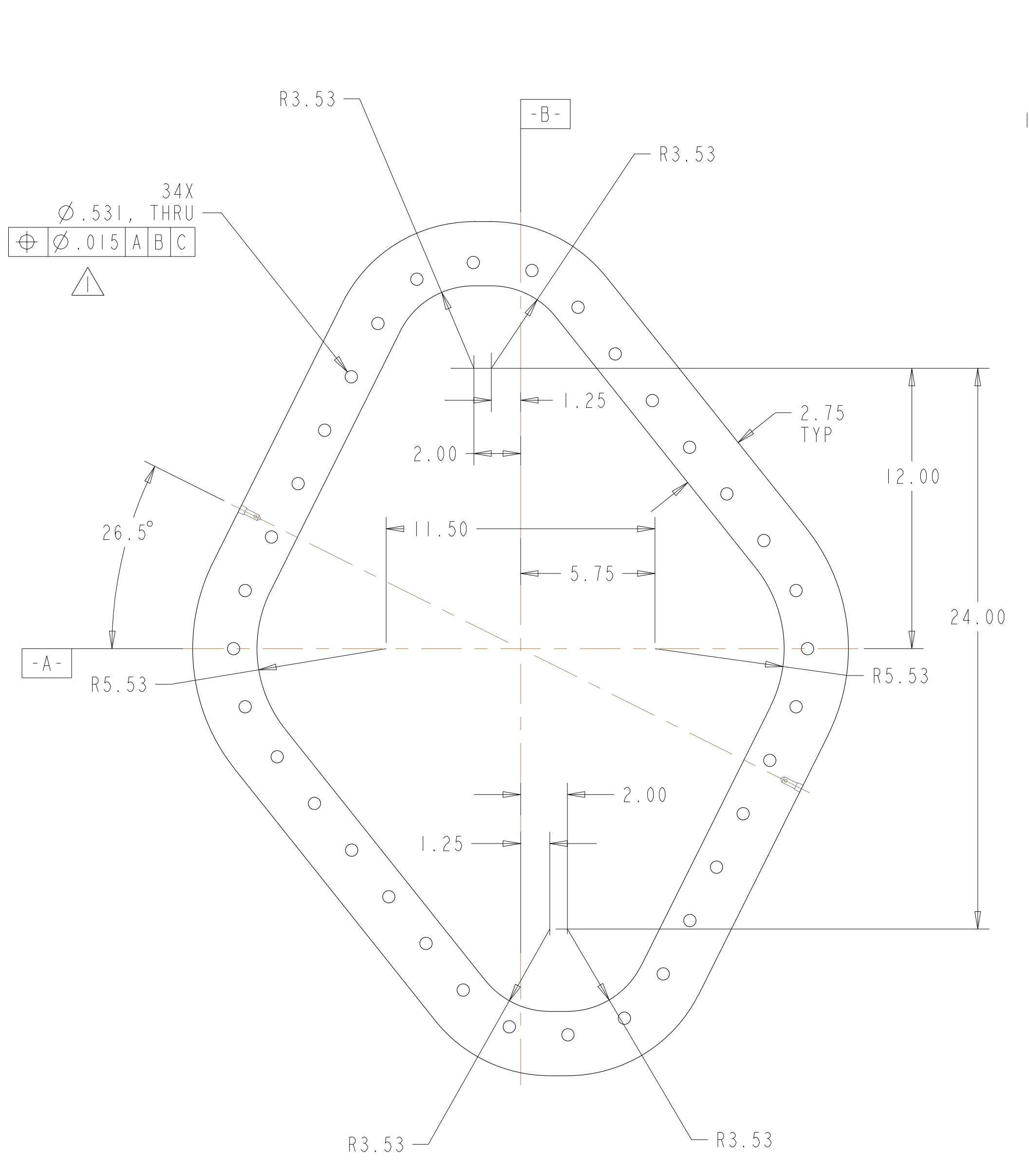


- NOTES:
1. INTERPRET DIMENSIONS AND TOLERANCES PER ANSI Y14.5M
 2. DIMENSIONS ARE IN INCHES
 3. ALL DIMENSIONS TO BE MET AT ASSEMBLY SEI20-002.
 4. FABRICATION, INSPECTION, AND TESTING SHALL BE PERFORMED IN ACCORDANCE WITH SPECIFICATION NCSX-CSPEC-121-02 AND STATEMENT OF WORK NCSX-SOW-121-03.



RELEASED FOR FABRICATION / INSTALLATION
 PPPL Drafting:

AR	-1	PORT NB FLANGE	UNS N06625 INCONEL	I
CAGE CODE	PART OR IDENTIFYING NO	NOMENCLATURE OR DESCRIPTION	MATERIAL	SPECIFICATION
SEI20-004	NEXT ASSEMBLY	PARTS LIST		

NO REPRESENTATION OR WARRANTY, EXPRESSED OR IMPLIED, IS MADE AS TO THE ACCURACY, COMPLETENESS OR USEFULNESS OF THE INFORMATION OR STATEMENTS CONTAINED IN THESE DRAWINGS, OR THAT THE USE OR DISCLOSURE OF ANY INFORMATION, APPARATUS, METHOD OR PROCESS DISCLOSED IN THESE DRAWINGS MAY NOT INFRINGE PRIVATE RIGHTS OF OTHERS. NO LIABILITY IS ASSUMED WITH RESPECT TO THE USE OF, OR FOR DAMAGES RESULTING FROM THE USE OF, ANY INFORMATION, APPARATUS, METHOD OR PROCESS DISCLOSED IN THESE DRAWINGS. DRAWINGS MADE AVAILABLE FOR INFORMATION TO BIDDER ARE NOT TO BE USED FOR OTHER PURPOSES, AND ARE TO BE RETURNED UPON REQUEST OF THE FORWARDING CONTRACTOR.

P THIS DRAWING PRODUCED ON PRO-ENGINEER

REV	DESCRIPTION	BY	DATE	CHK	DEPT	DATE	PE	REQ	DATE	ORNL	DOE	DATE
1	ADDED TRUE POSITION TOLERANCE	MJC	11/02/04	PLG								
	REVISION OR ISSUE PURPOSE											

SCALE NOTED	DES. P. GORANSON	5-27-04	UT-BATTELLE Oak Ridge National Laboratory managed for the DEPARTMENT OF ENERGY under U.S. GOVERNMENT contract DE-AC05-00OR22725 UT-BATTELLE, LLC. Oak Ridge, Tennessee PROJECT NAME NATIONAL COMPACT STELLARATOR EXPERIMENT VACUUM VESSEL PORT NB FLANGE DETAIL
TOLERANCES UNLESS OTHERWISE SPECIFIED	DRW. G. LOVETT	5-27-04	
FRACTIONS	CHK. D. SPARKS	6-03-04	
XX DECIMALS ± .01	DEPT.		
XXX DECIMALS ± .005	PE		VERSION NO. 0
ANGLES ± 0°15'	CR		PLANT X-10
BREAK SHARP EDGES .06 MAX	PJ		BLDG 5700
FINISH .125 UNLESS OTHERWISE SPECIFIED	REG		FL 3
	REQ		SHT 1
	DRFT J. SIEGEL	6/04	TYPE I
			CLASS U
			RELEASE LEVEL Fabrication
			SEI22-072
			REV 1

H
G
F
E
D
C
B
A