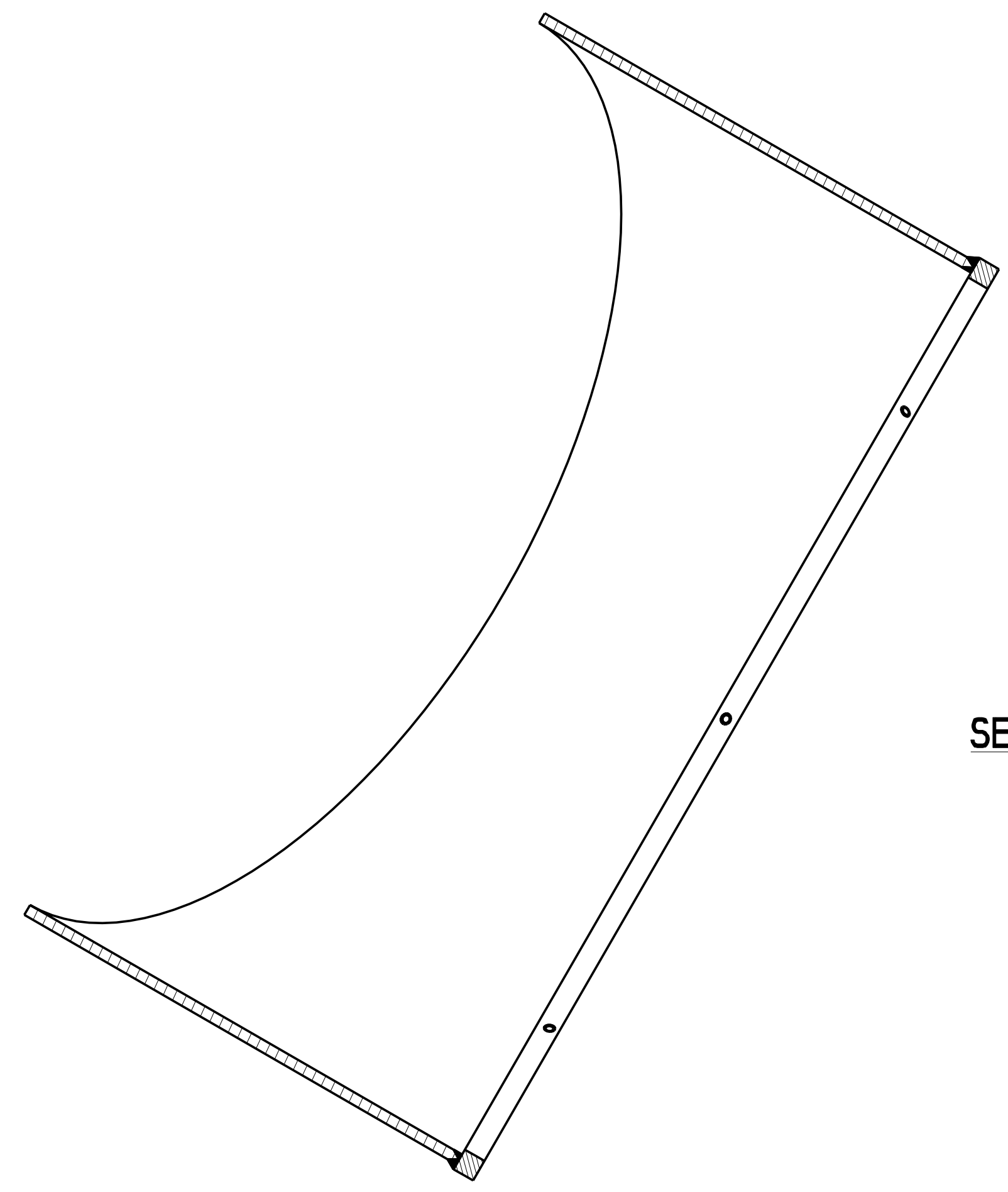
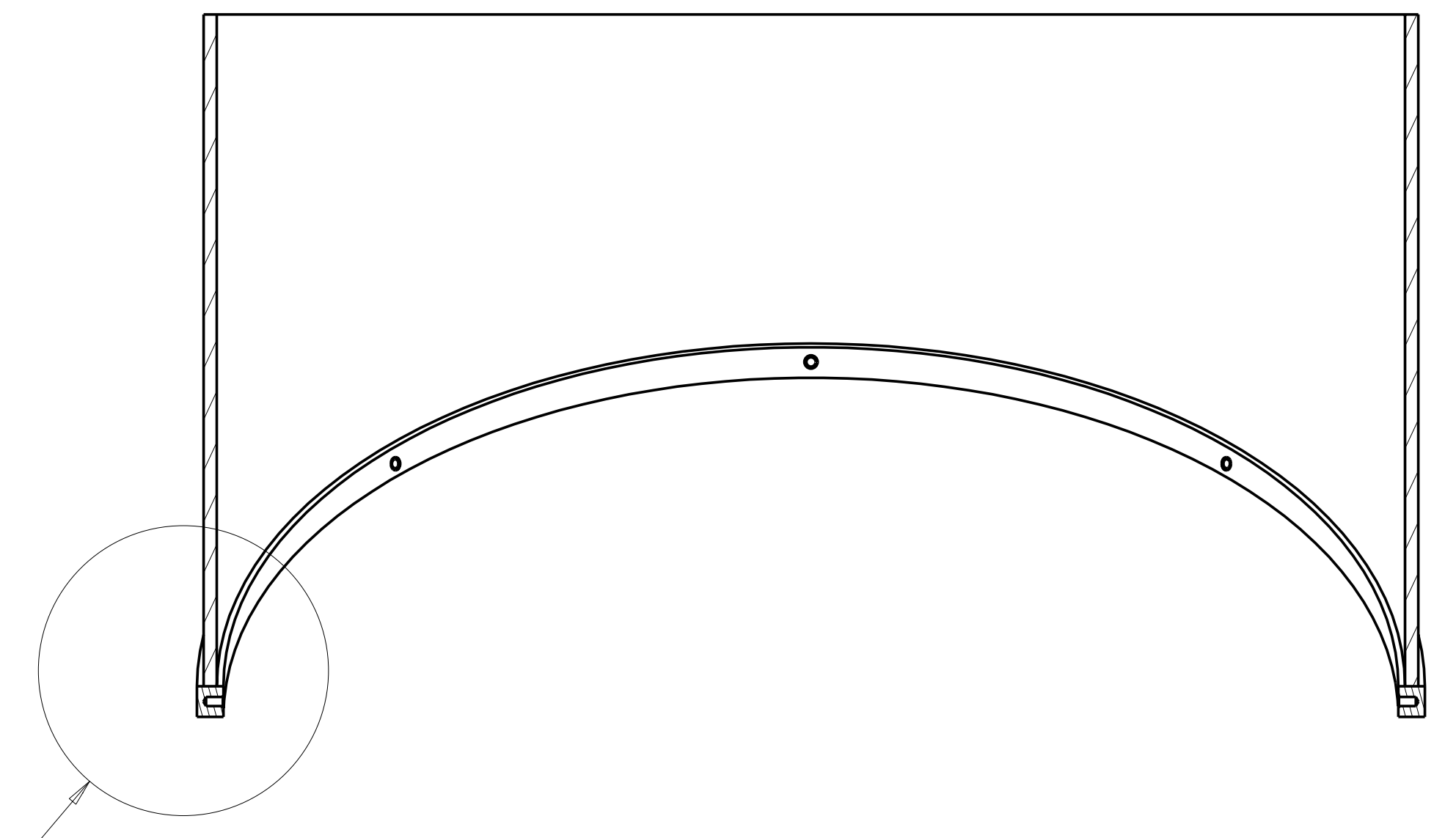


DETAIL C
 SCALE 1.000

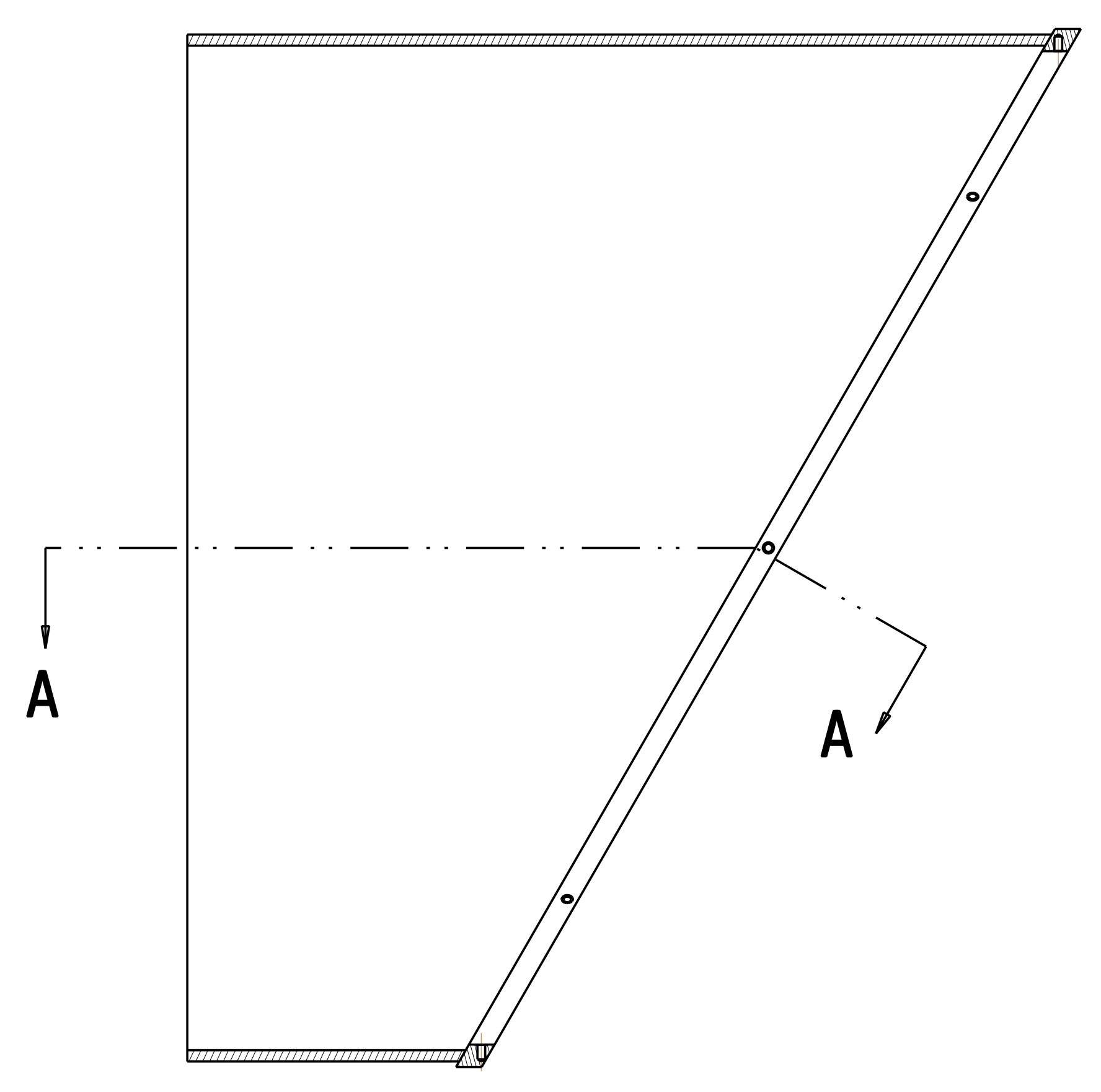


SECTION A-A

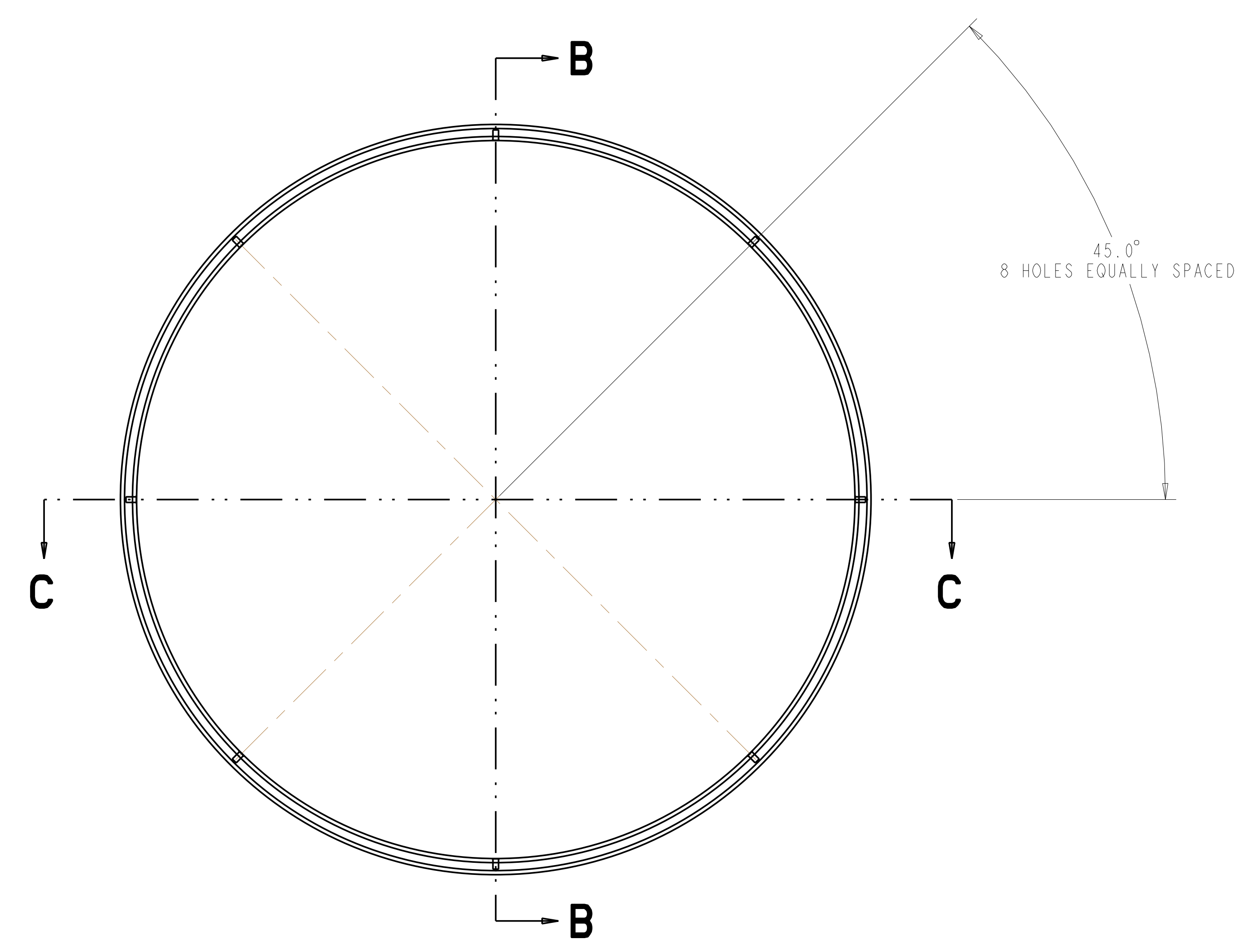


SECTION C-C

SEE DETAIL C



SECTION B-B
 SCALE 0.250



SE1203-003_STK	FIELD_WELD_JOINT_END-I_ASSY	2			
SE1203-003_MACHINE		1			
CAGE CODE	PART OR IDENTIFYING NO	NOMENCLATURE OR DESCRIPTION	MATERIAL	SPECIFICATION	FIND NO
NEXT ASSEMBLY					PARTS LIST

END PIECE FINAL MACHINING DETAIL
 QTY. 2

NO REPRESENTATION OR WARRANTY, EXPRESSED OR IMPLIED, IS MADE AS TO THE ACCURACY, COMPLETENESS OR USEFULNESS OF THE INFORMATION OR STATEMENTS CONTAINED IN THESE DRAWINGS, OR THAT THE USE OR DISCLOSURE OF ANY INFORMATION, APPARATUS, METHOD OR PROCESS DISCLOSED IN THESE DRAWINGS MAY NOT INFRINGE PRIVATE RIGHTS OF OTHERS. NO LIABILITY IS ASSUMED WITH RESPECT TO THE USE OF, OR FOR DAMAGES RESULTING FROM THE USE OF, ANY INFORMATION, APPARATUS, METHOD OR PROCESS DISCLOSED IN THESE DRAWINGS. DRAWINGS MADE AVAILABLE FOR INFORMATION TO BIDDER ARE NOT TO BE USED FOR OTHER PURPOSES, AND ARE TO BE RETURNED UPON REQUEST OF THE FORWARDING CONTRACTOR.

P THIS DRAWING PRODUCED ON PRO-ENGINEER

REV	DESCRIPTION	BY	DATE	CHK	DEPT	DATE	PE	REQ	DATE	DRNL	DOE	DATE
	REVISION OR ISSUE PURPOSE											

SCALE	X	DES	X	X
TOLERANCES UNLESS OTHERWISE SPECIFIED		DRW	X	X
FRACTIONS		CHK		
XX DECIMALS	± .01	SECT		
XXX DECIMALS	± .005	DEPT		
ANGLES	± 0°15'	PE		
BREAK SHARP EDGES	06 MAX	CR		
FINISH	125 UNLESS OTHERWISE SPECIFIED	PJ		
		RED		
		PPPL DRFT		

UT-BATTELLE Oak Ridge National Laboratory
 managed for the DEPARTMENT OF ENERGY under
 U.S. GOVERNMENT contract DE-AC05-00OR22725
 UT-BATTELLE, LLC, Oak Ridge, Tennessee

NATIONAL COMPACT STELLARATOR EXPERIMENT

VERSION NO.	PLANT	BLDG	FL	SHT OF	TYPE	CLASS
X	X	X	X	I	X	X
RELEASE LEVEL	SE1203-003_MACH					REV
						X

H G F E D C B A
 SE1203-003_MACH