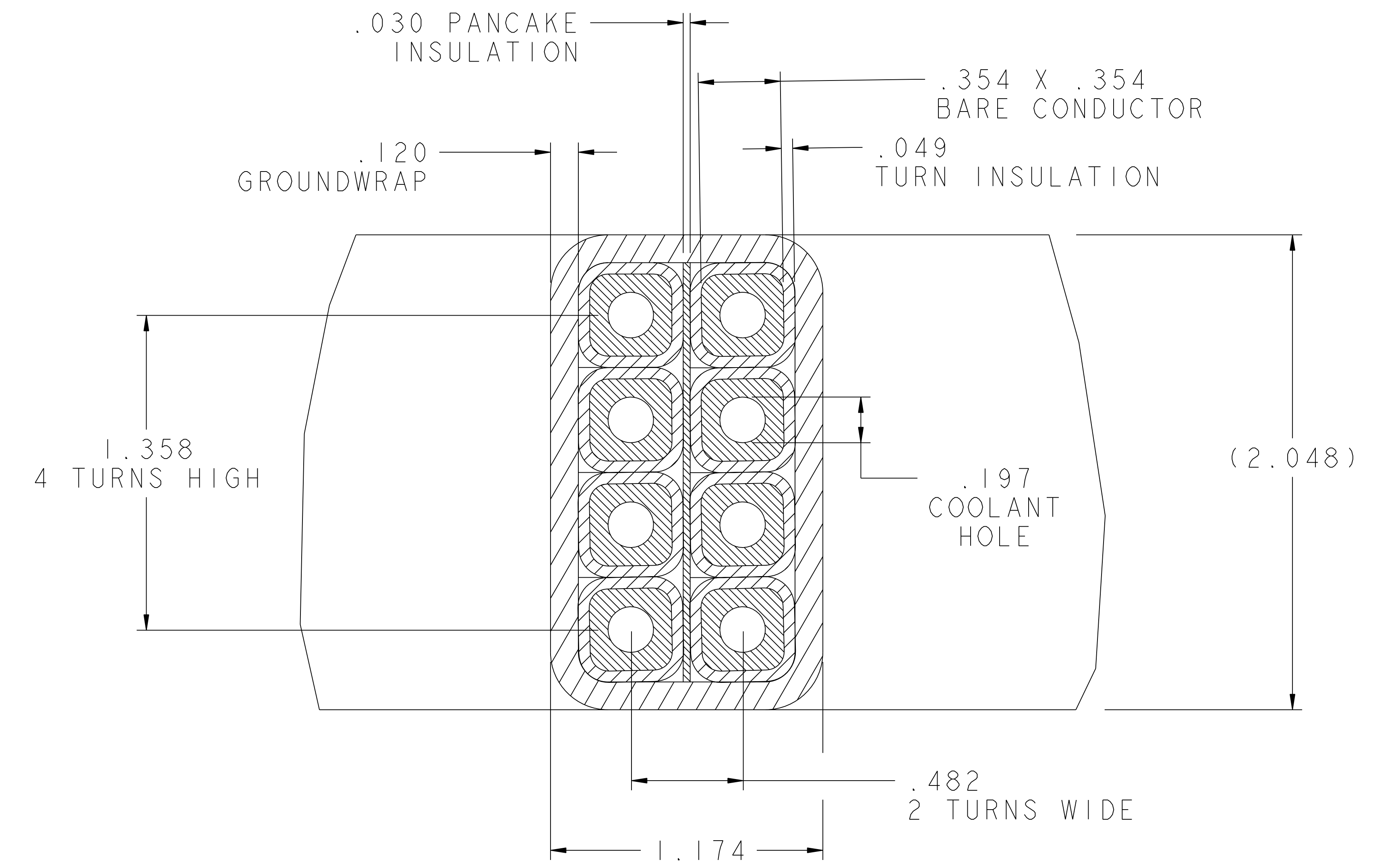


SECTION A-A
SCALE 0.300



DETAIL "Z"
SCALE 3.000

NOTE

1. COPPER TO BE OFHC CDA 104,
CDA 105, OR CDA 107
SILVER BEARING

6 ASSEMBLIES REQ'D



PART NO.	DRAWING NO	NOMENCLATURE OR DESCRIPTION	MATERIAL	QTY RECD
5	SJDR133-013	TRIM COILS UPPER/LOWER 60 DEG WINDING	OFHC COPPER	1
4	SJDR133-036	TRIM COILS LEAD FLAG	OFHC COPPER	2
3	SJDR133-014	TRIM COILS UPPER/LOWER 60 DEG WINDING INSULATION	KAPTON/GLASS TAPE	1
2	SJDR133-017	TRIM COILS UPPER/LOWER 60 DEG GROUNDWRAP	KAPTON/GLASS TAPE	1
1	SJDR133-016	TRIM COILS UPPER/LOWER 60 DEG PANCAKE INSULATION	G-10	1

PARTS LIST

COMPUTER GENERATED DRAWING MANUAL CHANGES NOT PERMITTED	CENTRAL FILES: UNLESS OTHERWISE SPECIFIED	PRINCETON PLASMA PHYSICS LABORATORY PRINCETON UNIVERSITY NATIONAL COMPACT STELLARATOR EXPERIMENT	
Pro E	DIMENSIONS ARE IN INCHES MACHINE SURFACES UNLESS OTHERWISE SPECIFIED	STELLARATOR CORE CONVENTIONAL COILS TRIM COIL UPPER/LOWER 60 DEG ASSEMBLY	
DO NOT VERIFY INFORMATION BY SCALING DRAWING	BREAK SHOWS CABLE .001, .000	TOLERANCES NON-CUMULATIVE	DSN: J. RUSHINSKI
NEXT ASSEMBLY	DECIMAL-INCH FRACTIONS	CHK: ENGR M. KALISH	DRAWING NO: SE133-015
	.XX +/- .005 0"-.125" +/- .010 .XXX +/- .005 12"-.125" +/- .010 ANGULAR +/- .015 0"-.125" OVER 120" +/- .125	SUPV:	SHEET 1 OF 1 REV

RELEASE LEVEL: WIP
DWG VERSION NO:

WEIGHT
1238.5 lbs

MODEL NAME
SE133-015

NCSX-SE133-015