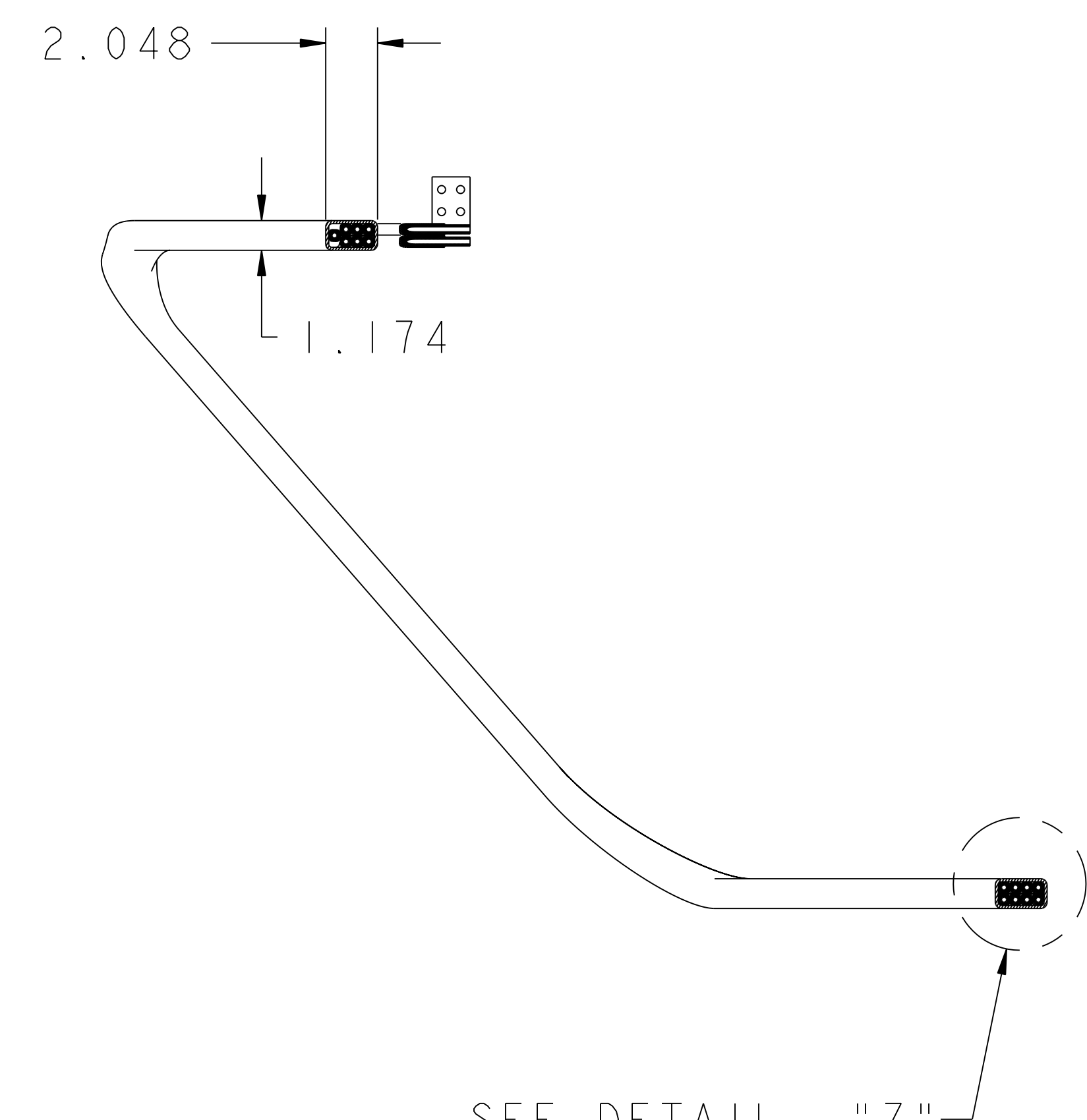
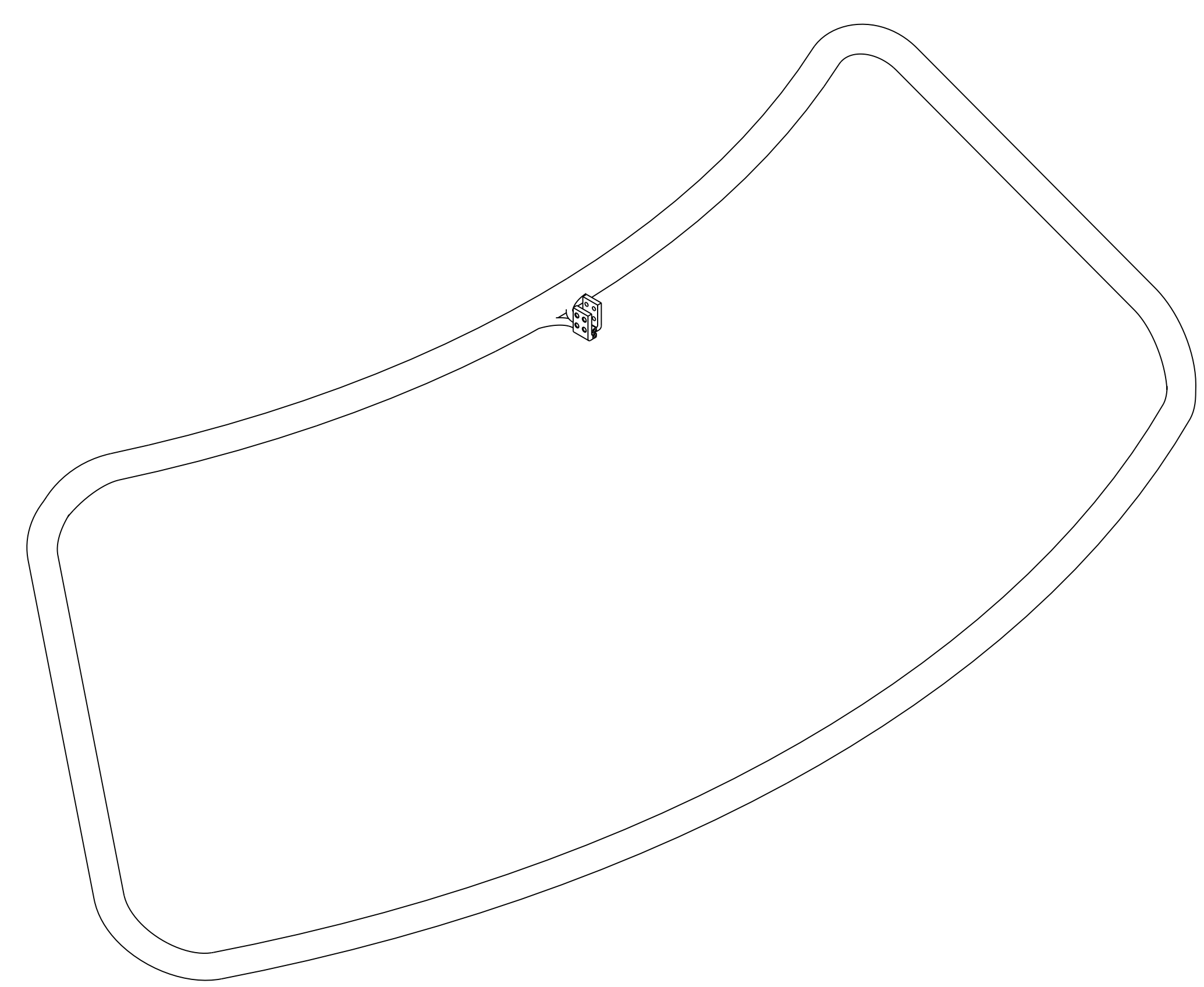
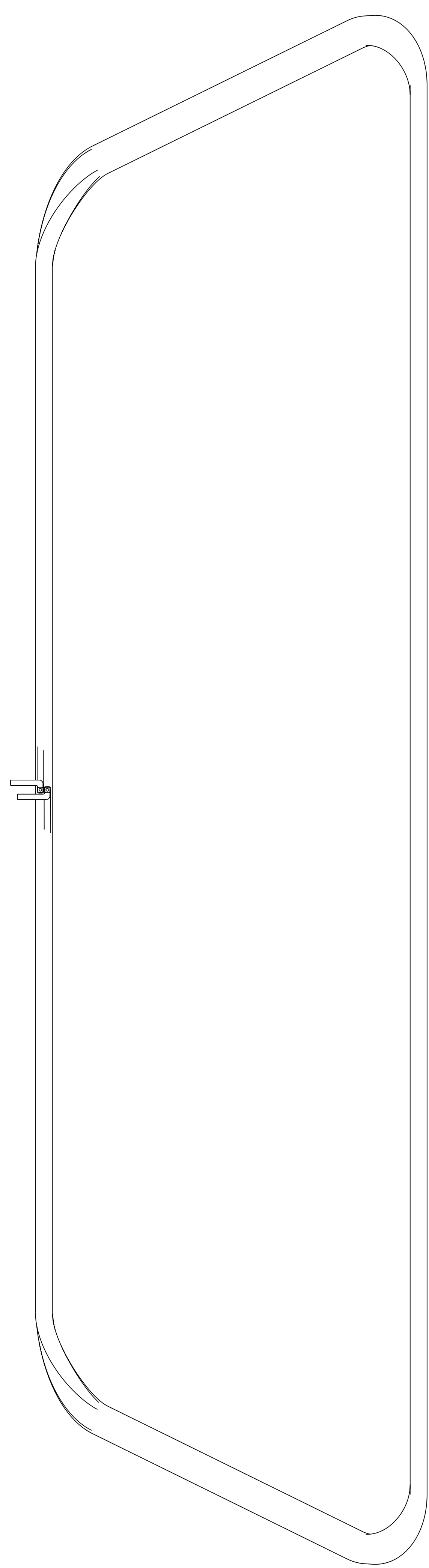
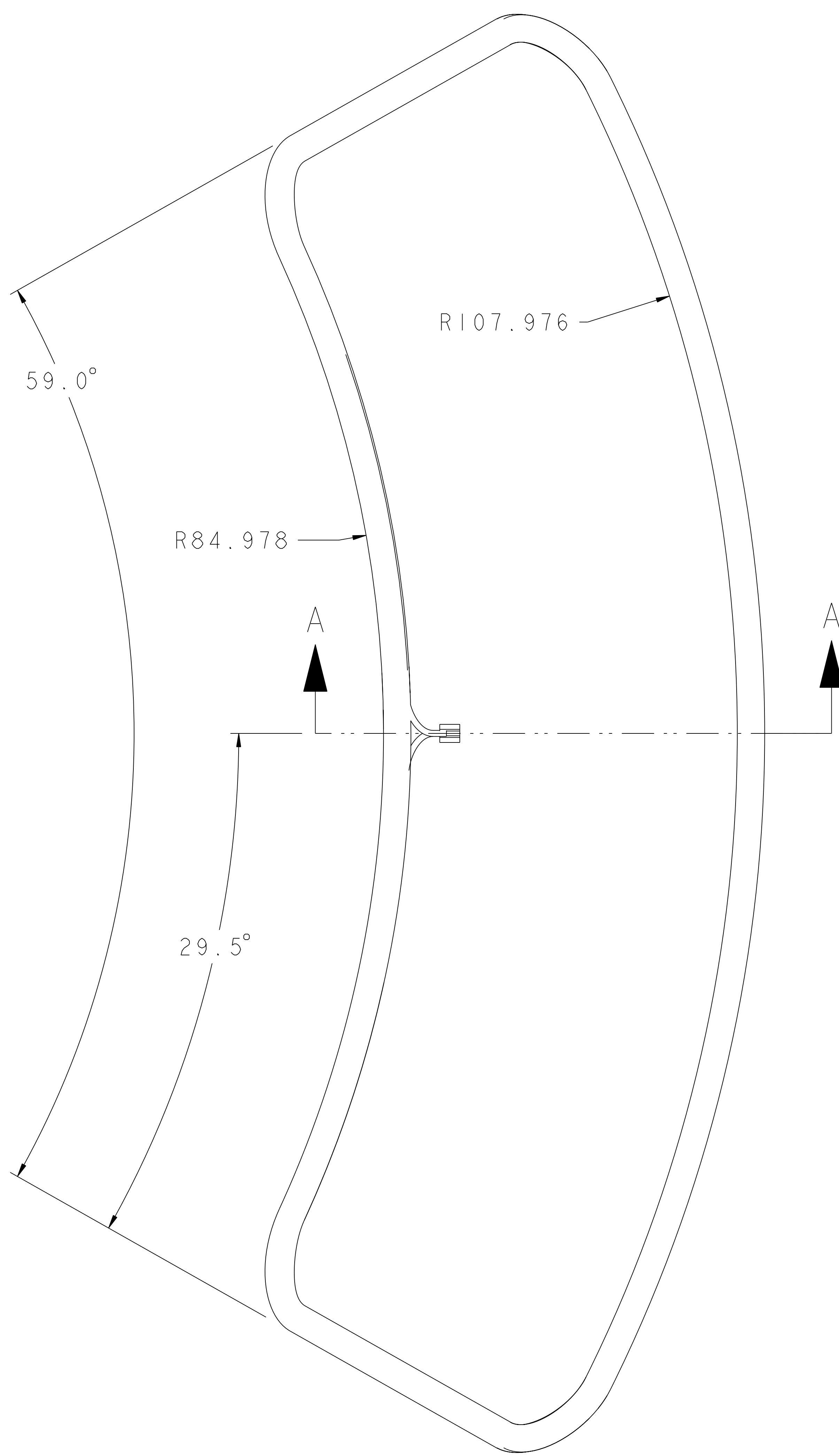


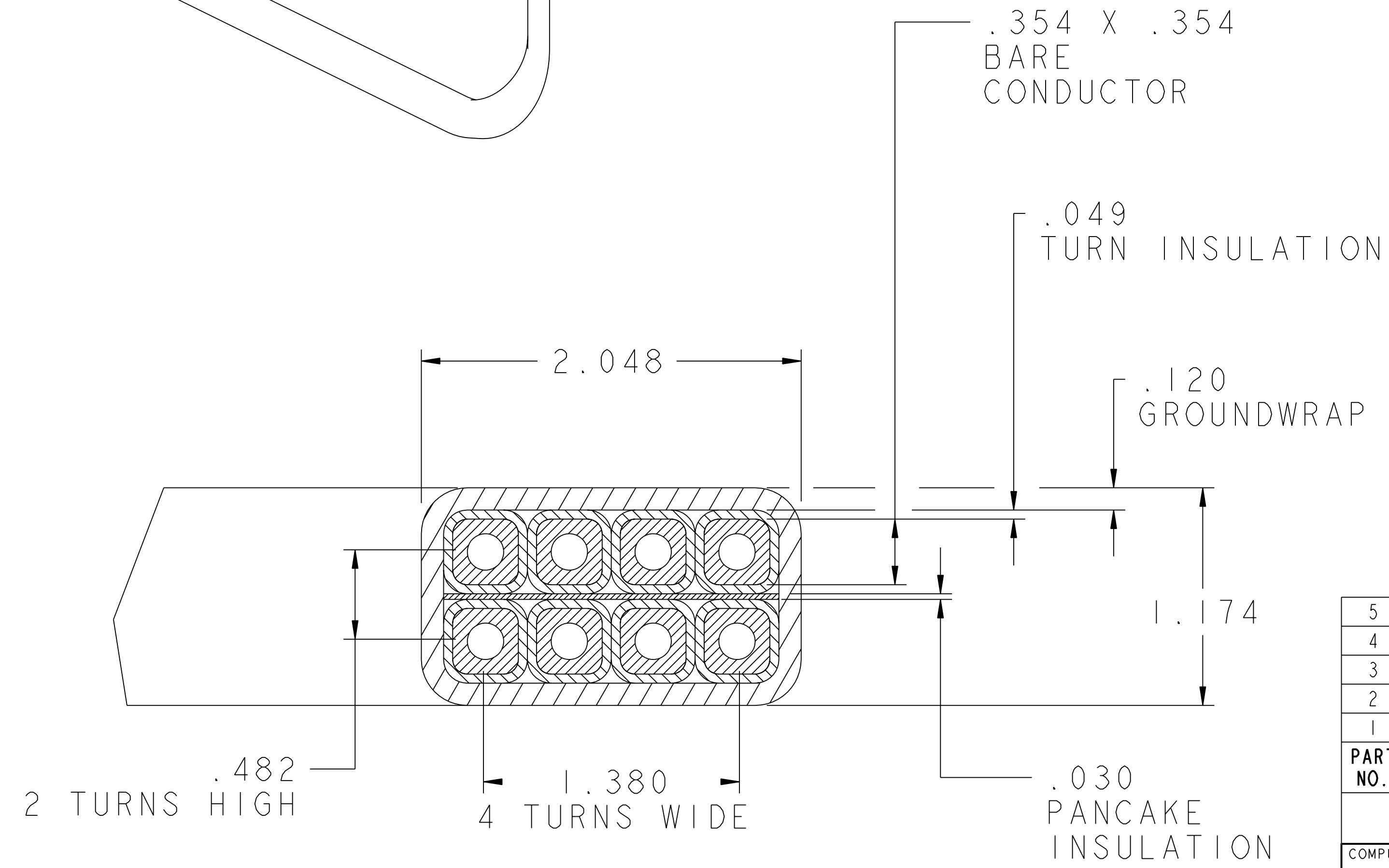
NO.	REVISION	BY	CH	SUP	APPROVED	DATE



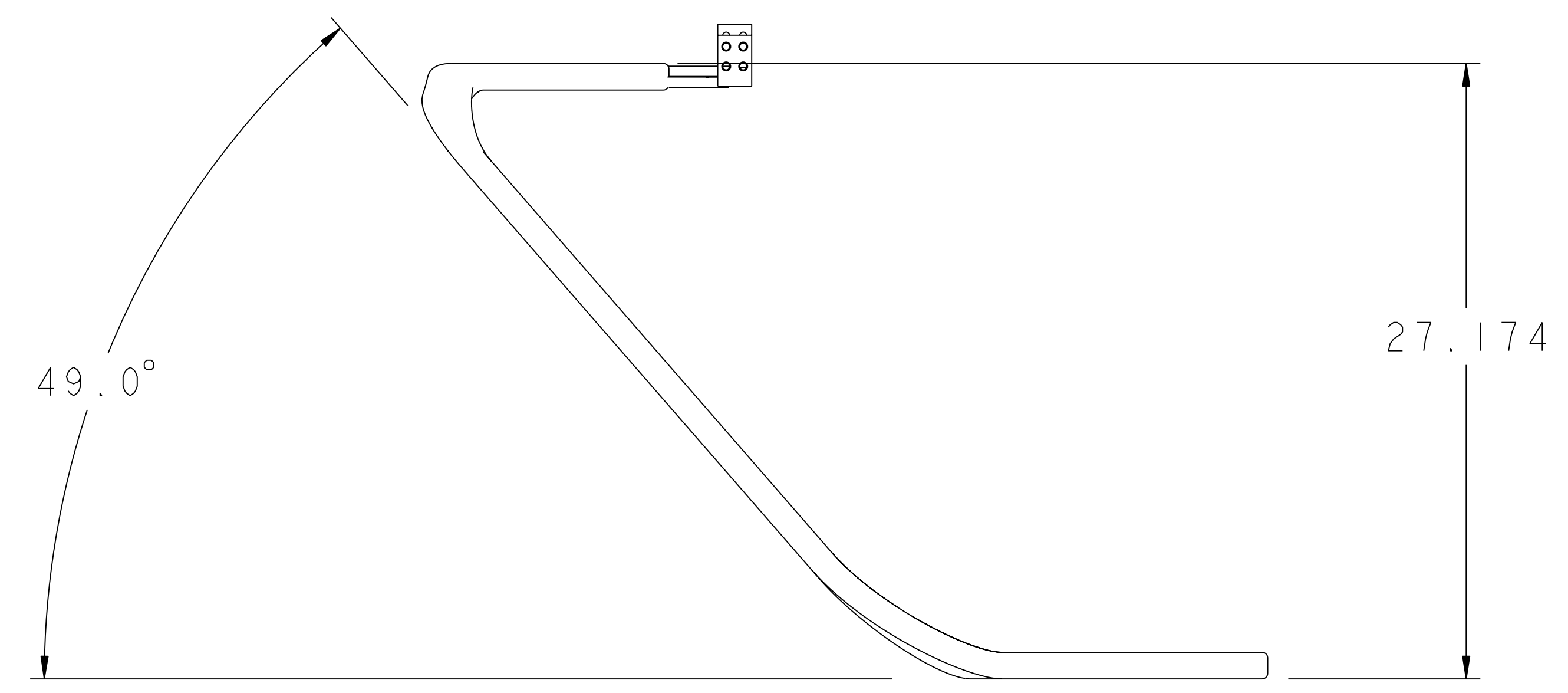
SECTION A-A
SCALE 0.200

1. COPPER TO BE OFHC CDA 104,
CDA 105, OR CDA 107
SILVER BEARING

12 ASSEMBLIES REQ'D



DETAIL "Z"
SCALE 2.000



.354 X .354
BARE
CONDUCTOR

.049
TURN INSULATION

.120
GROUNDWRAP

.030
PANCAKE
INSULATION

.482
2 TURNS HIGH

1.380
4 TURNS WIDE

WEIGHT
1238.5 lbs

MODEL NAME
SE133-035

RELEASE LEVEL: WIP
DWG VERSION NO:

PART NO.	DRAWING NO	NOMENCLATURE OR DESCRIPTION	MATERIAL	QTY RECD
5	SJDR133-024	TRIM COILS OUTER PERIMETER COIL WINDING	OFHC COPPER	1
4	SJDR133-036	TRIM COILS LEAD FLAG	OFHC COPPER	2
3	SJDR133-031	TRIM COILS OUTER PERIMETER COIL TURN INSULATION	KAPTON/GLASS TAPE	1
2	SJDR133-032	TRIM COILS OUTER PERIMETER COIL GROUNDWRAP	KAPTON/GLASS TAPE	1
1	SJDR133-028	TRIM COILS OUTER PERIMETER COIL PANCAKE INSULATION	G-10	1

PARTS LIST

COMPUTER GENERATED DRAWING MANUAL CHANGES NOT PERMITTED Pro E	CENTRAL FILES: UNLESS OTHERWISE SPECIFIED DIMENSIONS ARE IN INCHES MACHINE SURFACES BREAK SHARP EDGES .005/.020	PRINCETON PLASMA PHYSICS LABORATORY PRINCETON UNIVERSITY NATIONAL COMPACT STELLARATOR EXPERIMENT STELLARATOR CORE CONVENTIONAL COILS TRIM COIL OUTER PERIMETER (WINDSHIELD) ASSEMBLY	
DO NOT VERIFY INFORMATION BY SCALING DRAWING	SCALE 0.200	TOLERANCES NON-CUMULATIVE	DSN: J. RUSHINSKI
NEXT ASSEMBLY	DECIMAL-INCH FRACTIONS	CHK:	DRAWING NO:
	.XX +/- .030 .XXX +/- .005 ANGULAR +/- .0°-15°	ENGR: M. KALISH	SE133-035
		SUPV:	SHEET 1 OF 1

NCSX-SE133-035

NCSX-ASSY-FORMAT.E