

8

7

6

5

4

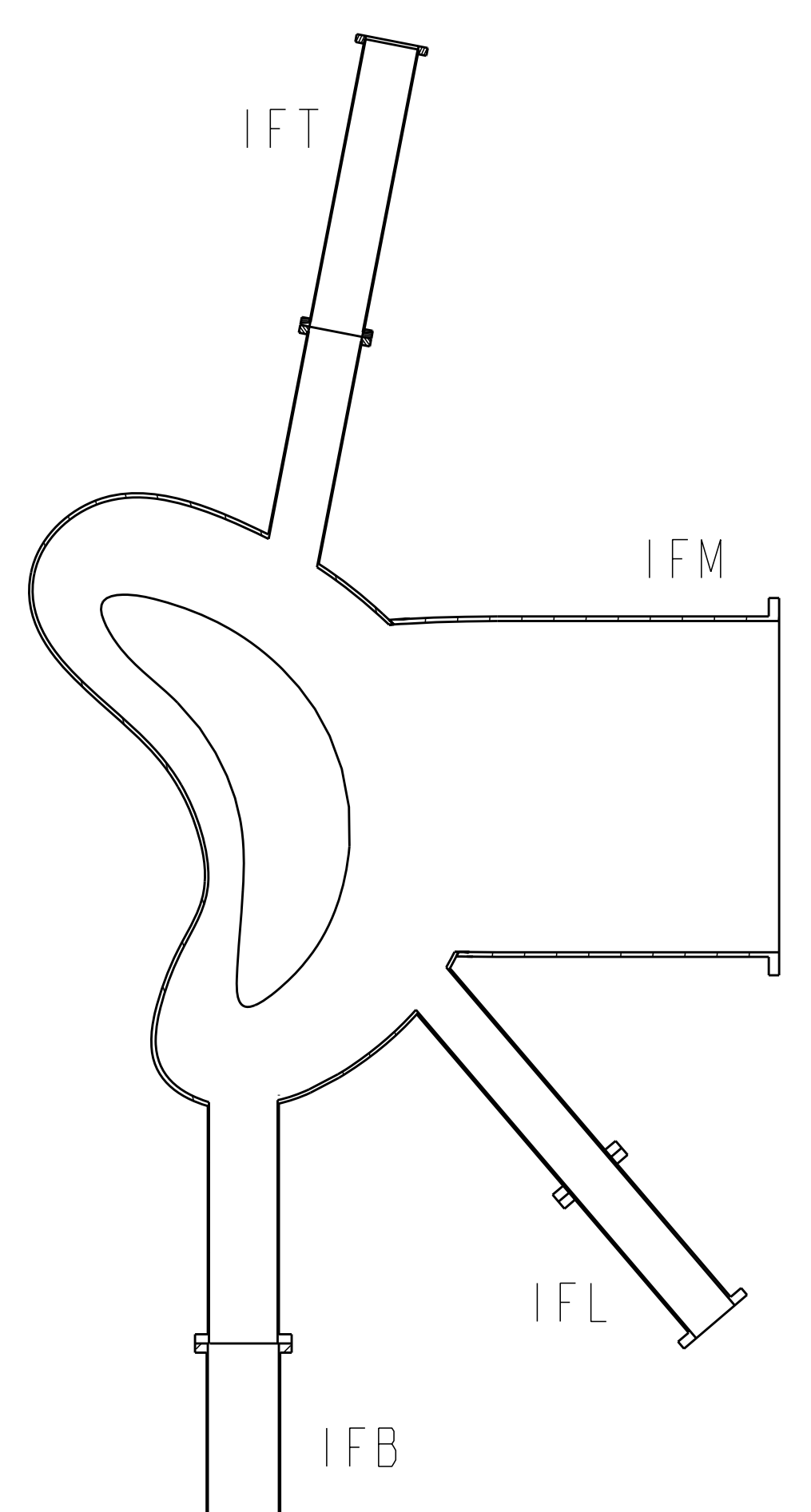
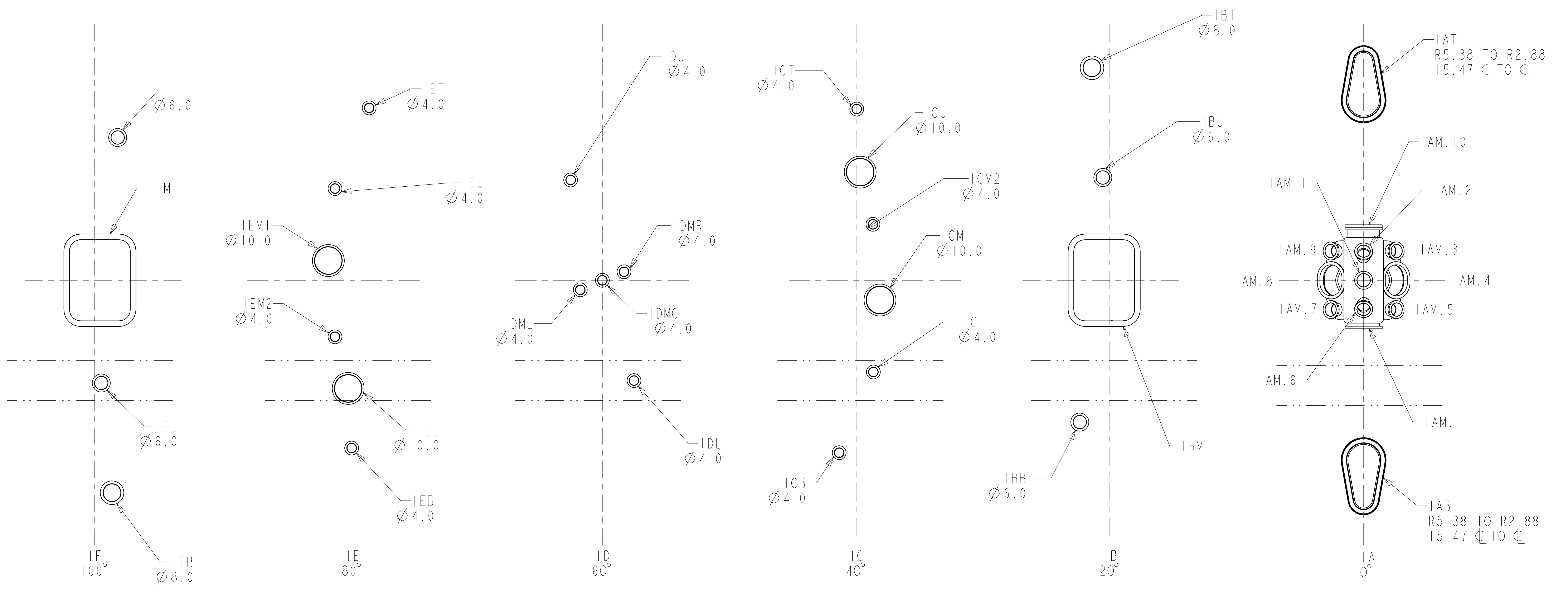
3

2

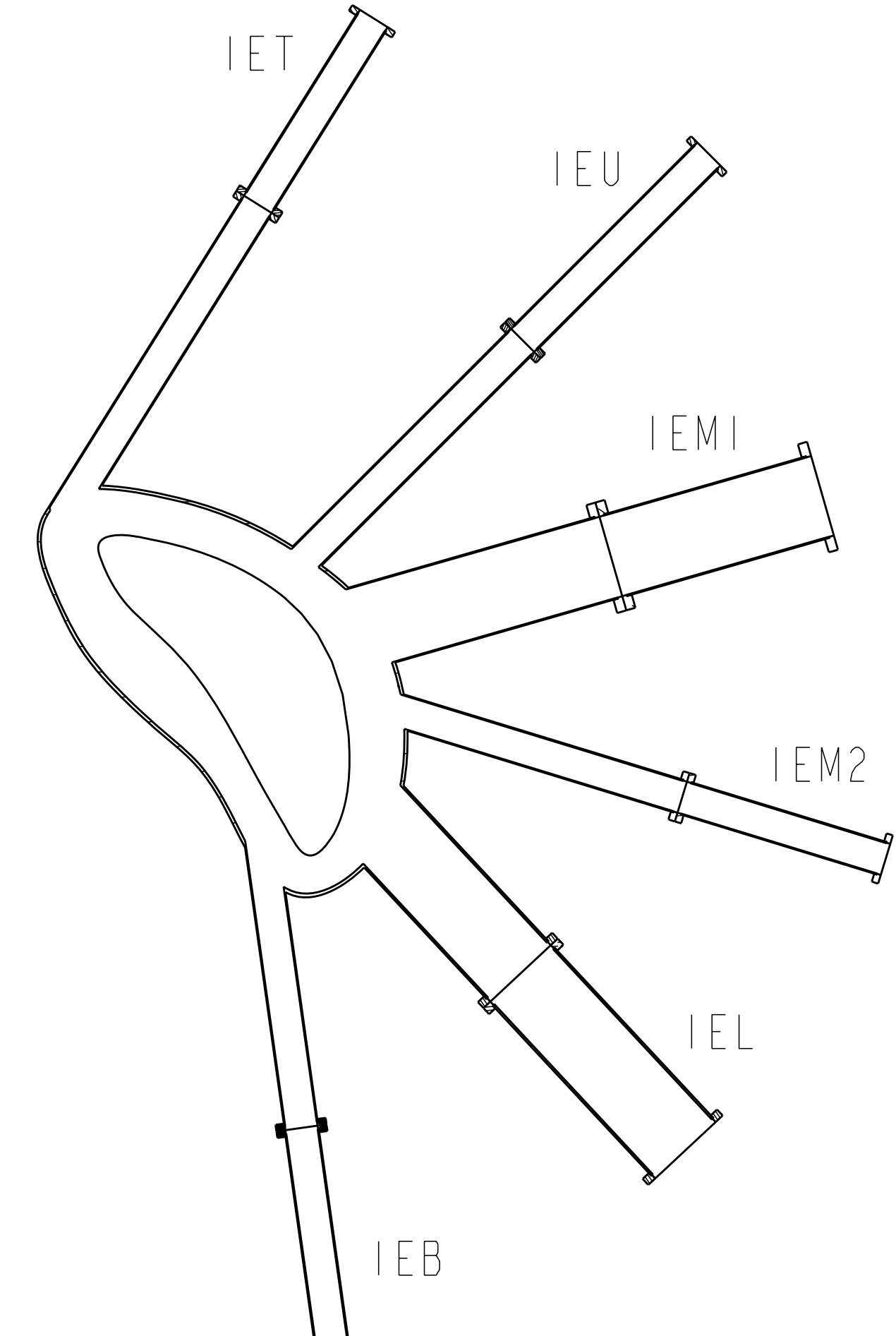
1 FINAL ASS'Y:

NEXT ASS'Y:

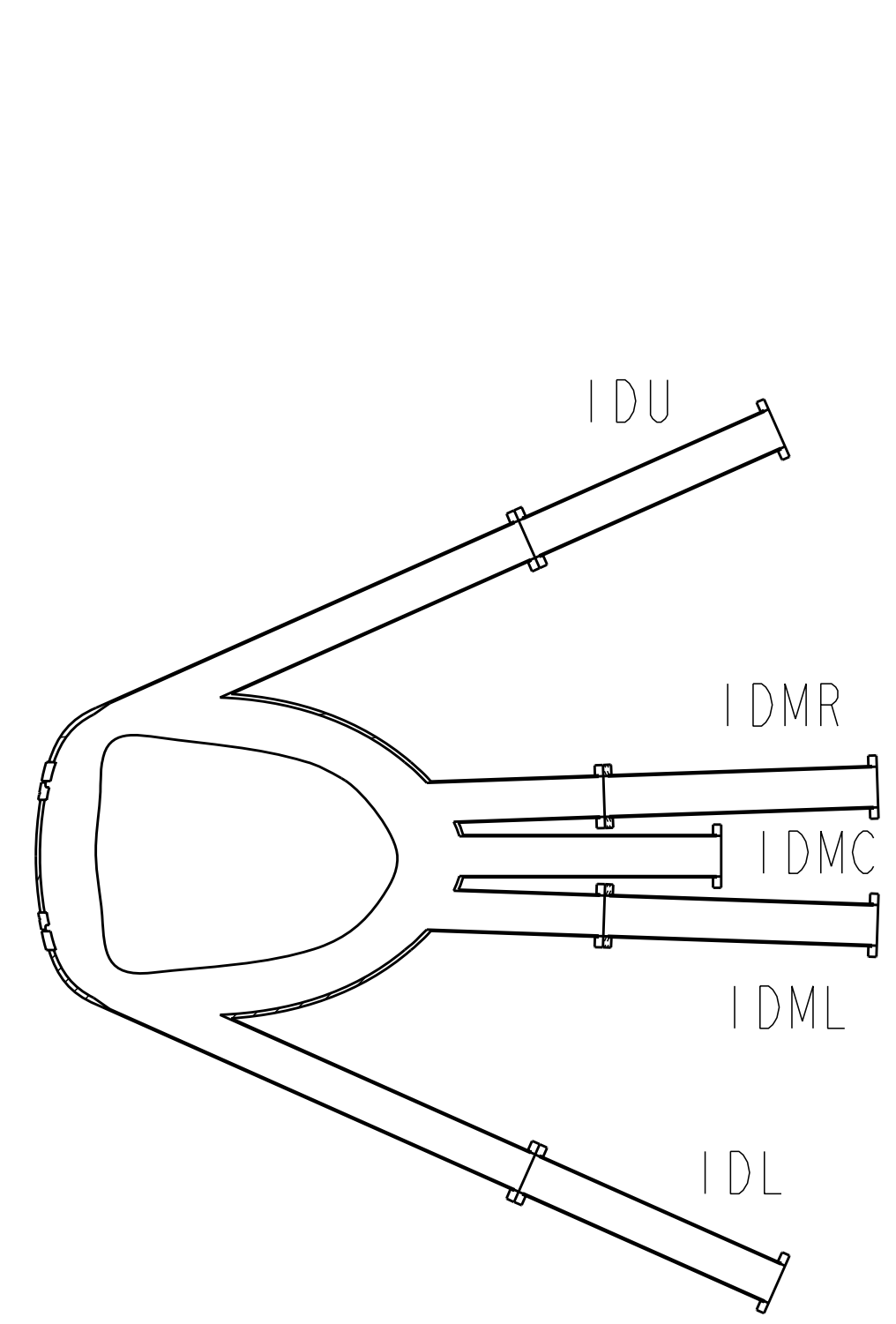
H  
G  
F  
E  
D  
C  
B  
A



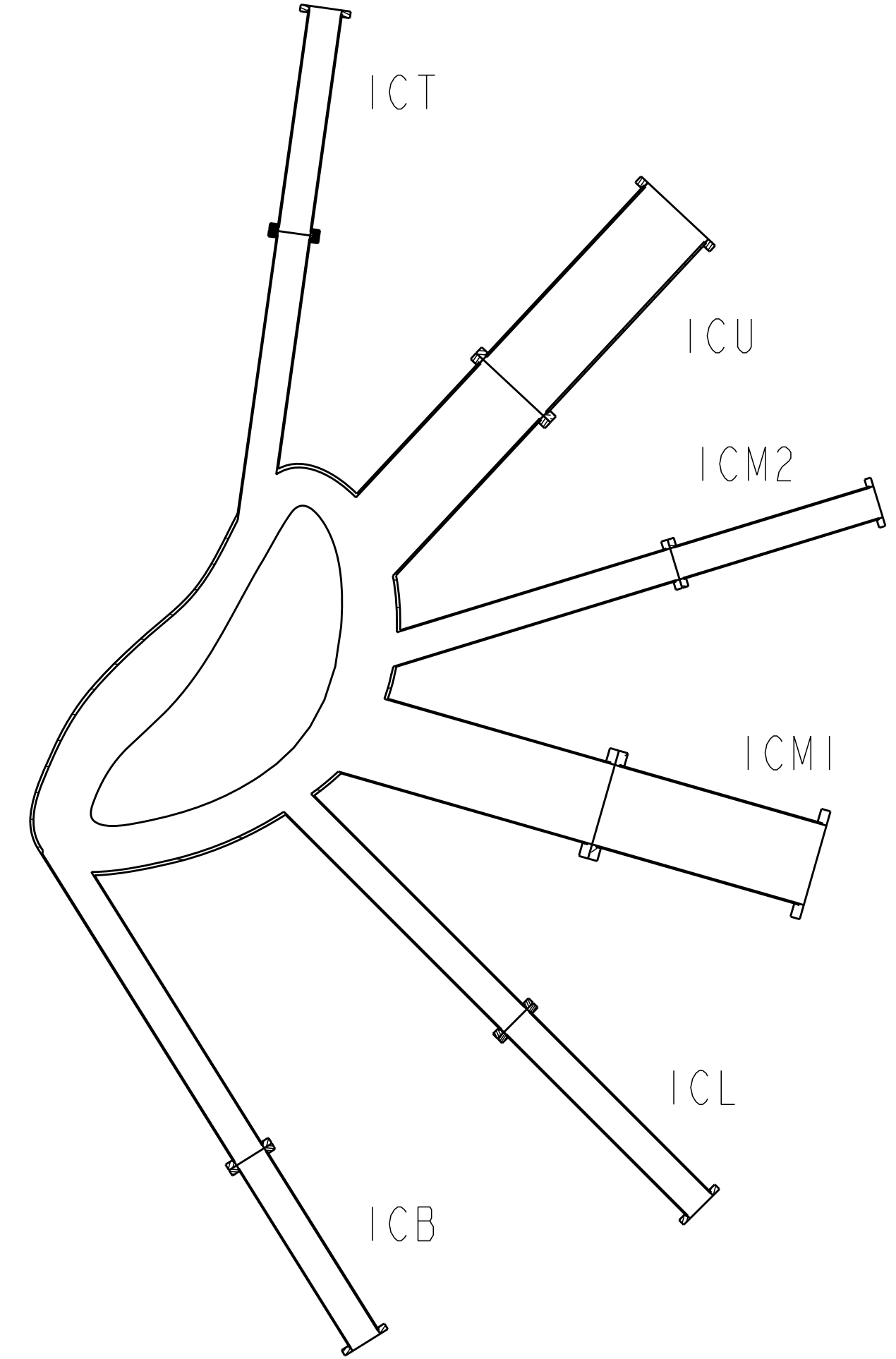
SECTION IF  
PORTS ROTATED INTO  
PLANE OF SECTION



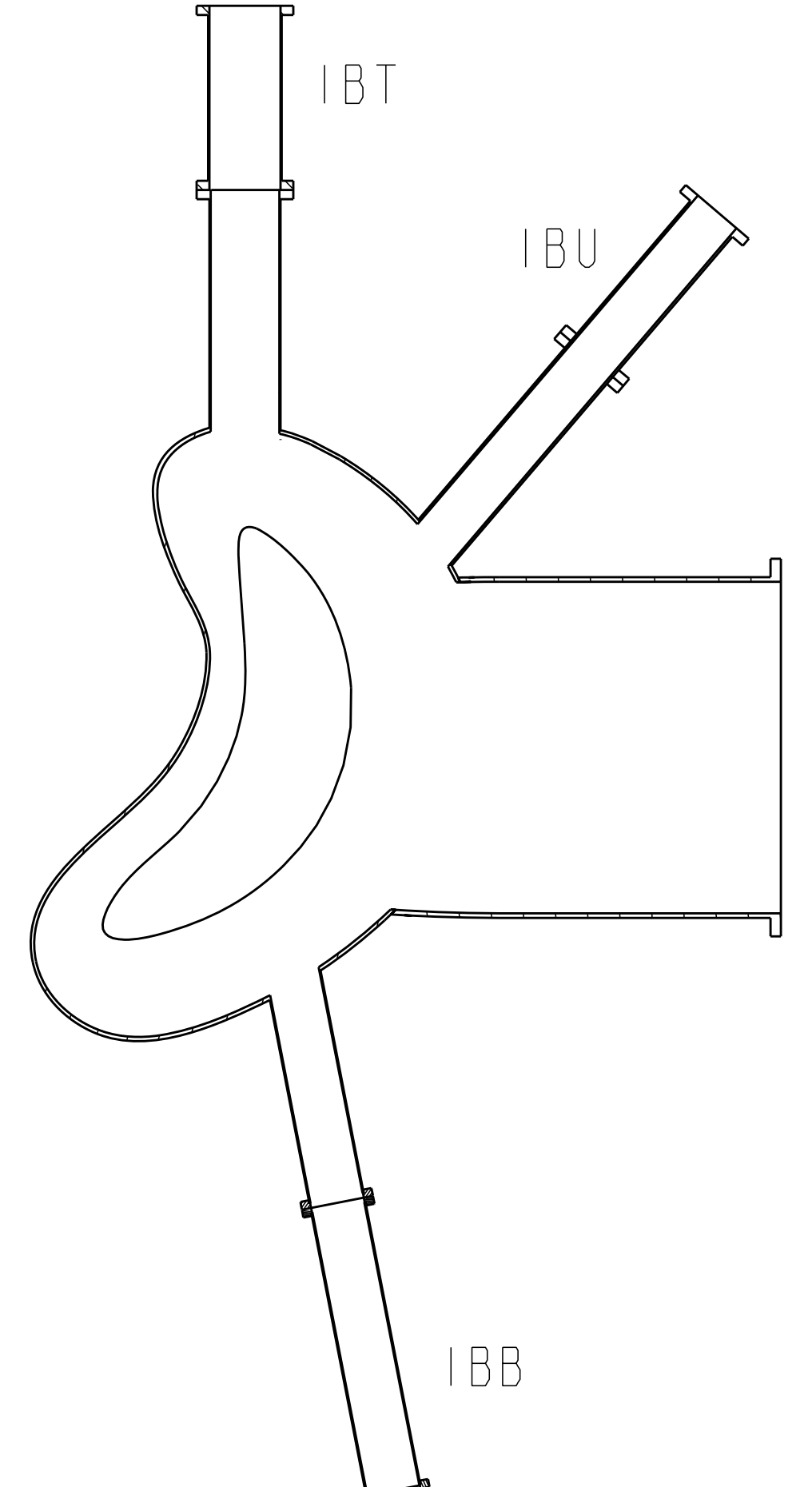
SECTION IE  
PORTS ROTATED INTO  
PLANE OF SECTION



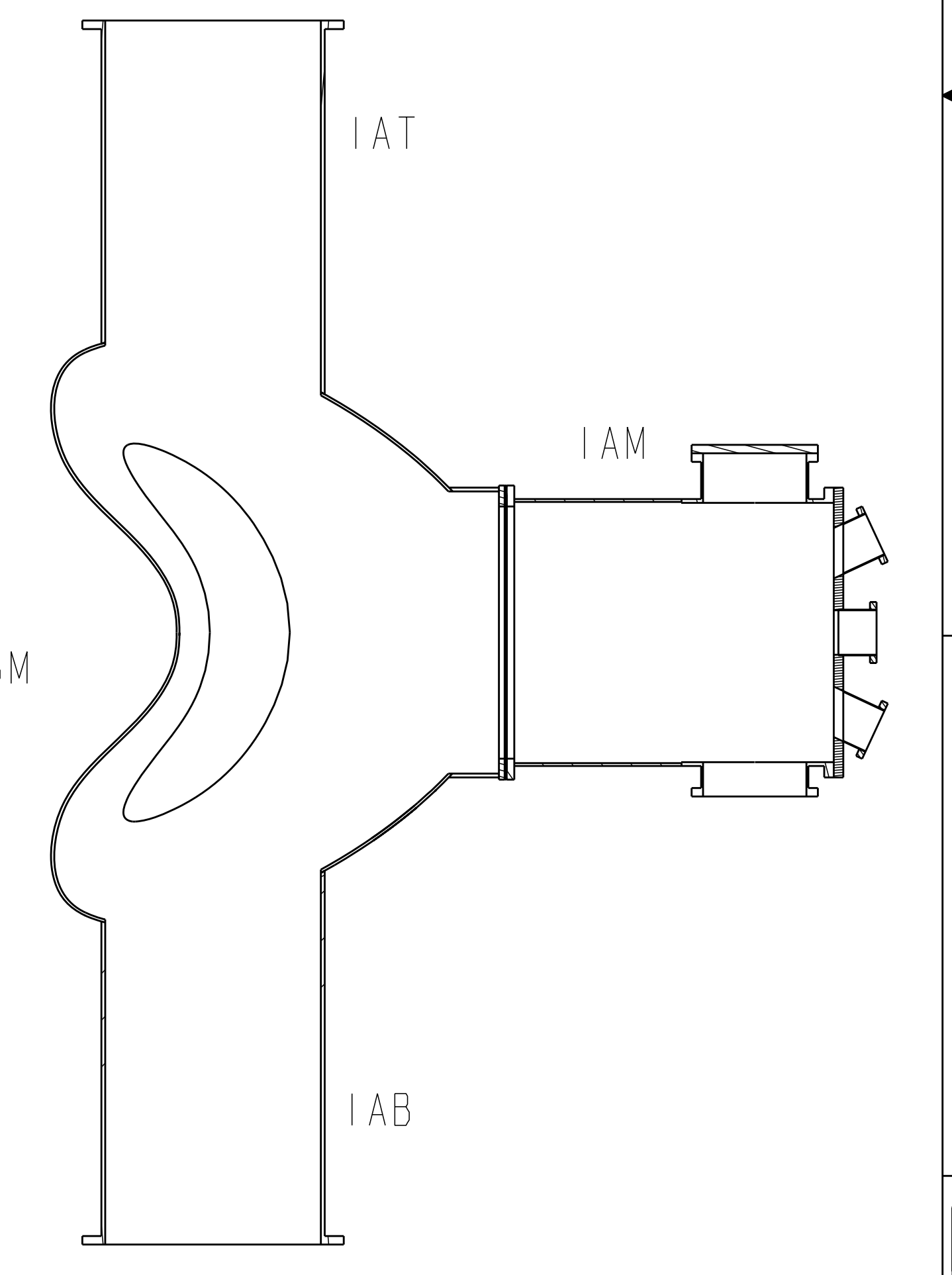
SECTION ID  
PORTS ROTATED INTO  
PLANE OF SECTION



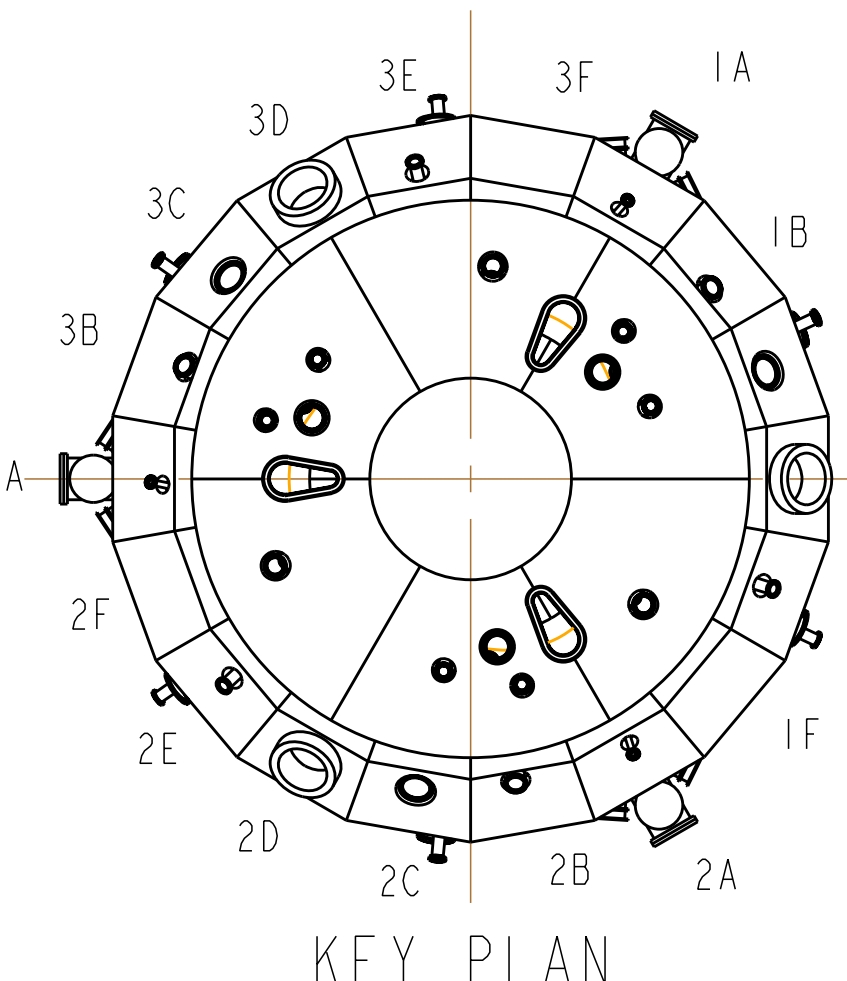
SECTION IC  
PORTS ROTATED INTO  
PLANE OF SECTION



SECTION IB  
PORTS ROTATED INTO  
PLANE OF SECTION



SECTION IA  
PORTS ROTATED INTO  
PLANE OF SECTION



AS SHOWN  
ON C-SITE  
TEST CELL

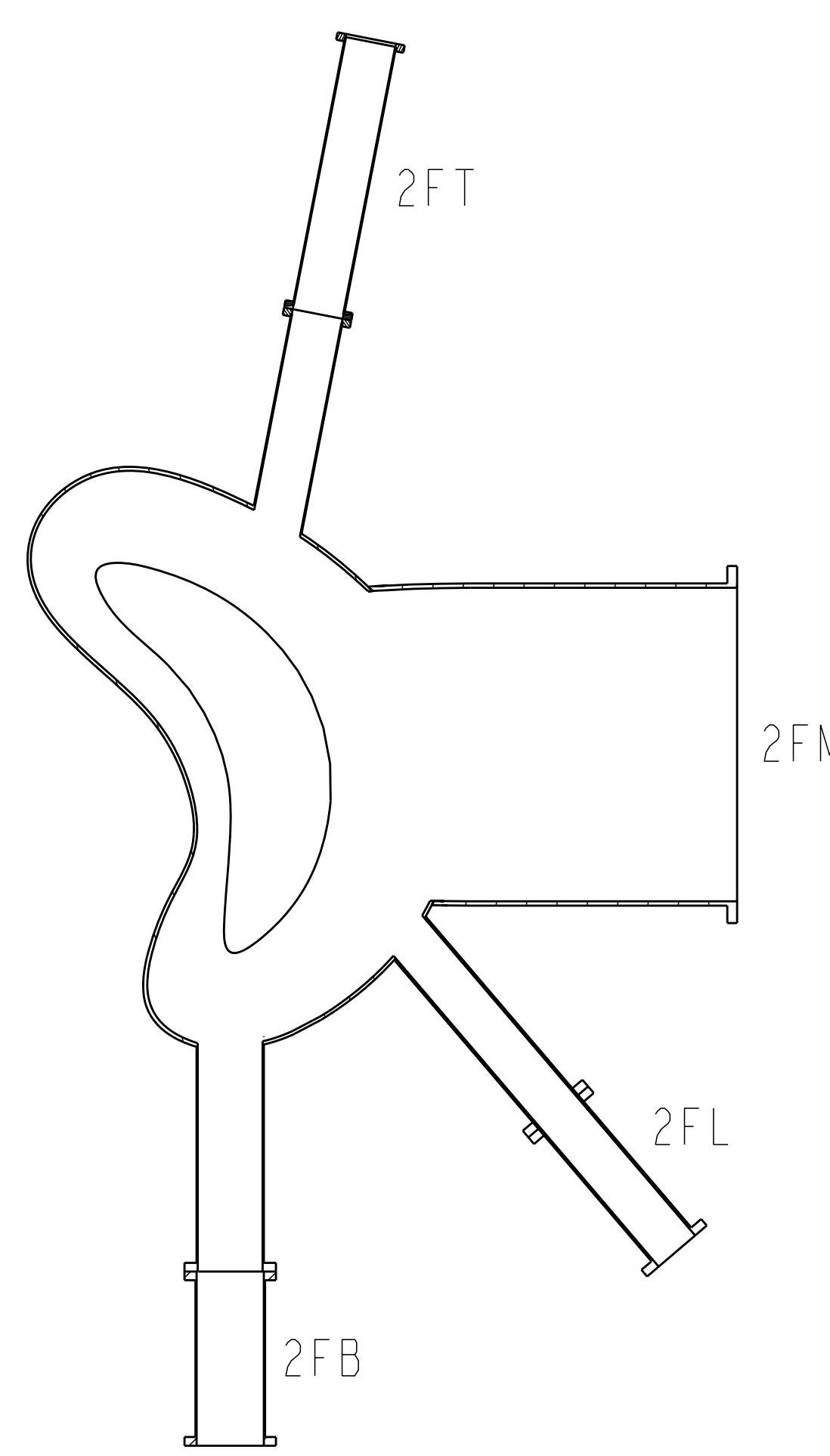
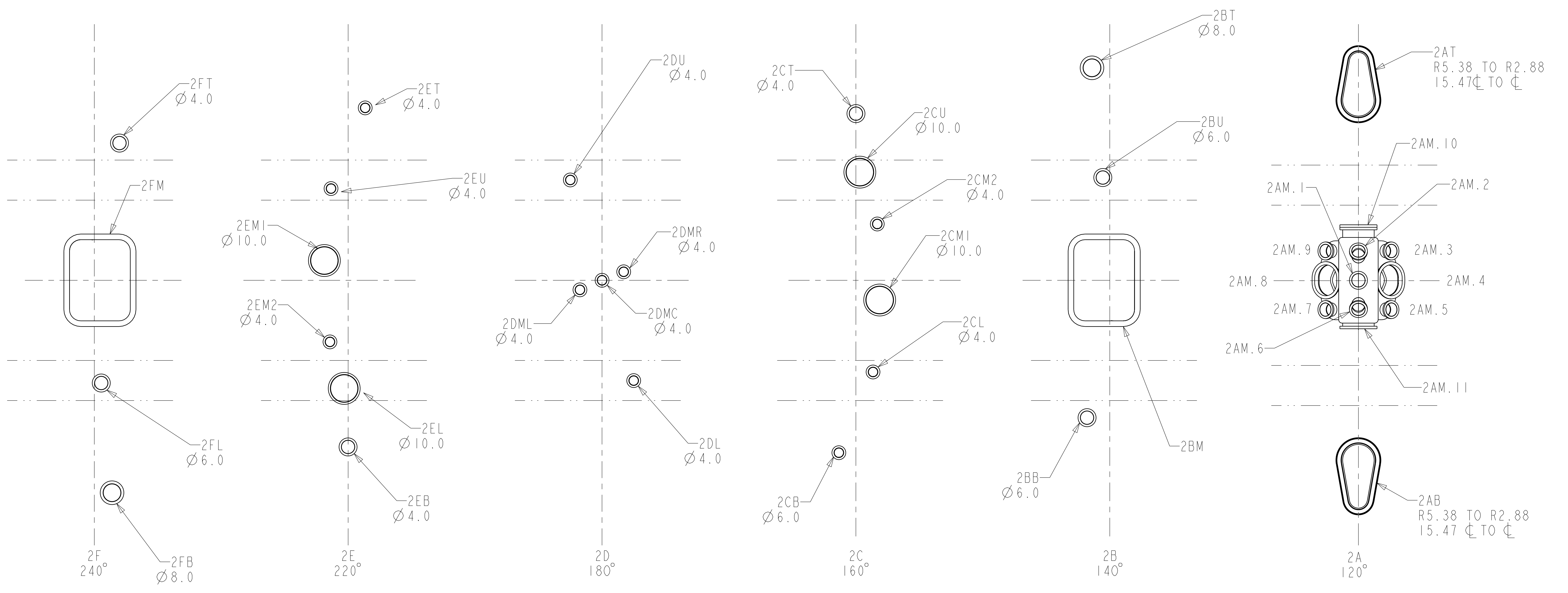
DRAFT

NO REPRESENTATION OR WARRANTY, EXPRESSED OR IMPLIED, IS MADE AS TO THE ACCURACY, COMPLETENESS OR USEFULNESS OF THE INFORMATION OR STATEMENTS CONTAINED IN THESE DRAWINGS, OR THAT THE USE OR DISCLOSURE OF ANY INFORMATION, APPARATUS, METHOD OR PROCESS DISCLOSED IN THESE DRAWINGS MAY NOT INFRINGE PRIVATE RIGHTS OF OTHERS. NO LIABILITY IS ASSUMED WITH RESPECT TO THE USE OF, OR FOR DAMAGES RESULTING FROM THE USE OF, ANY INFORMATION, APPARATUS, METHOD OR PROCESS DISCLOSED IN THESE DRAWINGS. DRAWINGS MADE AVAILABLE FOR INFORMATION TO BIDDER ARE NOT TO BE USED FOR OTHER PURPOSES, AND ARE TO BE RETURNED UPON REQUEST OF THE FORWARDING CONTRACTOR.

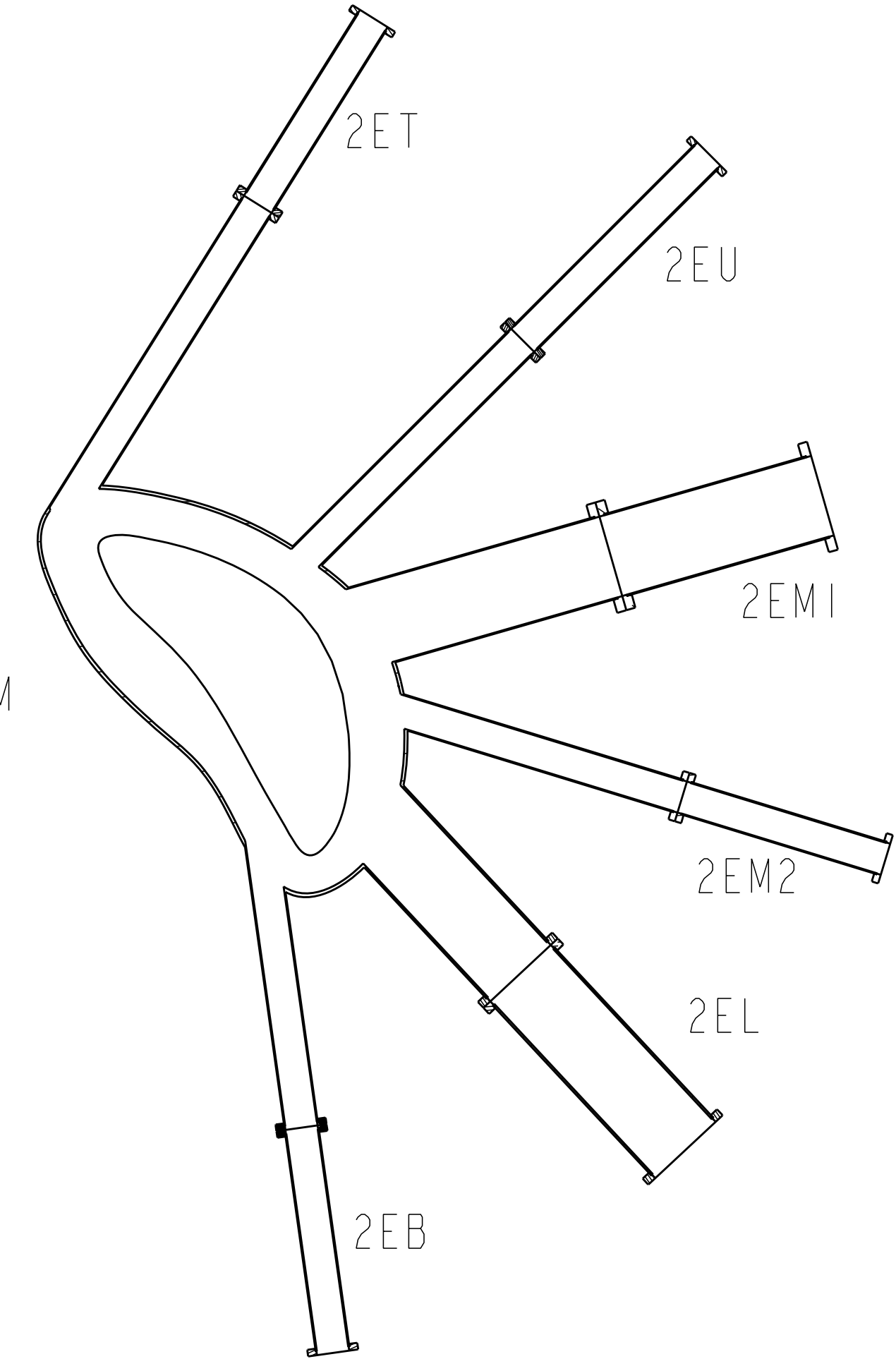
**P** THIS DRAWING PRODUCED ON PRO-ENGINEER

REV	DESCRIPTION	DATE	BY	CHKD

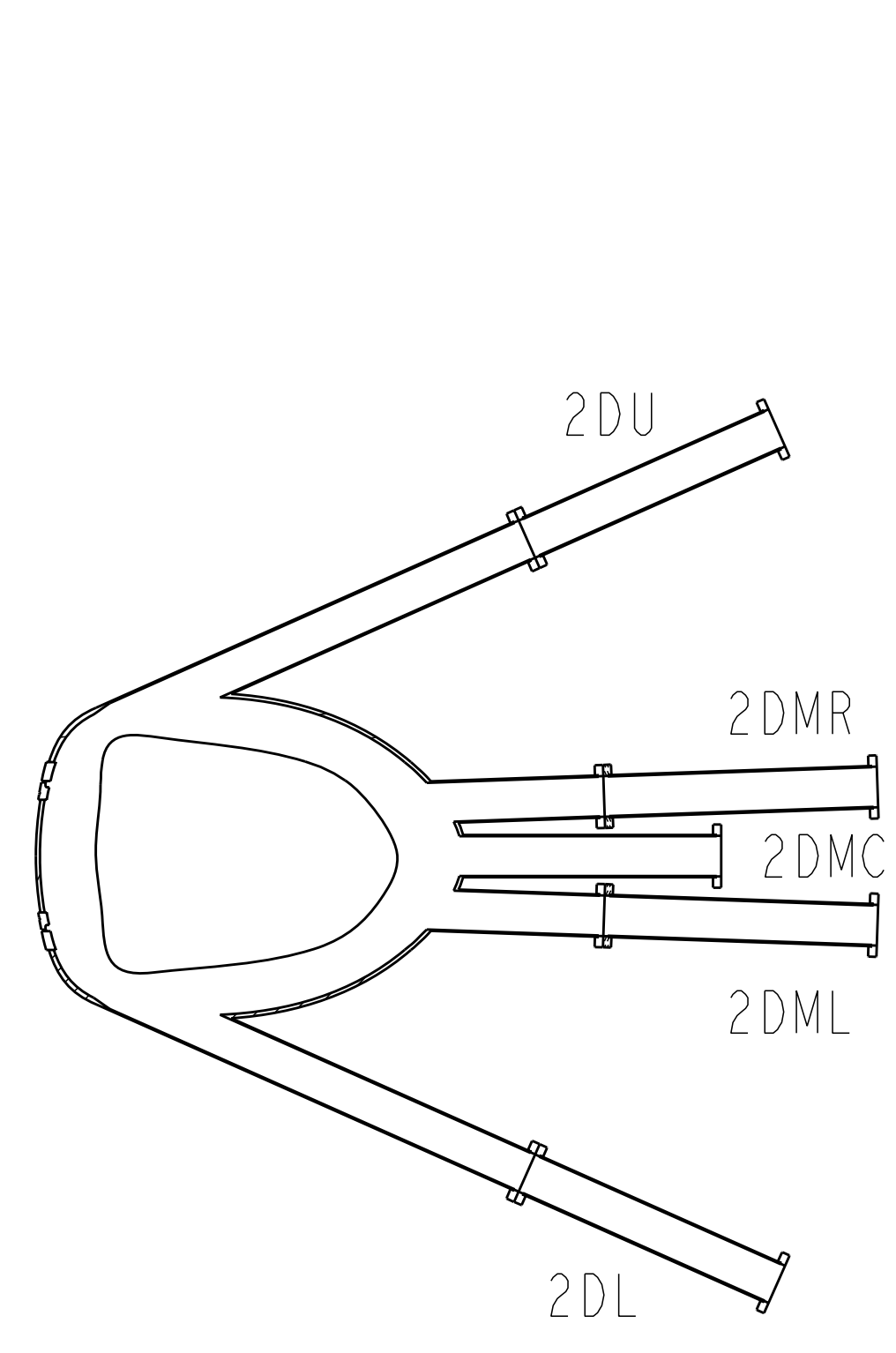
SCALE NTS	DES M.J. COLE 06/02/03	<p>Oak Ridge National Laboratory managed for the DEPARTMENT OF ENERGY under U.S. GOVERNMENT contract DE-AC05-00OR22725 UT-BATTELLE, LLC. Oak Ridge, Tennessee</p>
TOLERANCES UNLESS OTHERWISE SPECIFIED	DRW G.H. JONES 06/02/03	
FRACTIONS XX DECIMALS ±.01 XXX DECIMALS ±.005 ANGLES ±0°15' BREAK SHARP EDGES .06 MAX	PPPL DRFT	
FINISH .125 UNLESS OTHERWISE SPECIFIED	VERSION NO. PLANT BLDG FL SHT OF TYPE CLASS :	<p>NATIONAL COMPACT STELLERATOR EXPERIMENT DIAGNOSTICS PORT LOCATION MAP</p>
	RELEASE LEVEL : : : : : : : : : : : : : : :	<p>GHJ200-001</p>
		<p>U</p>



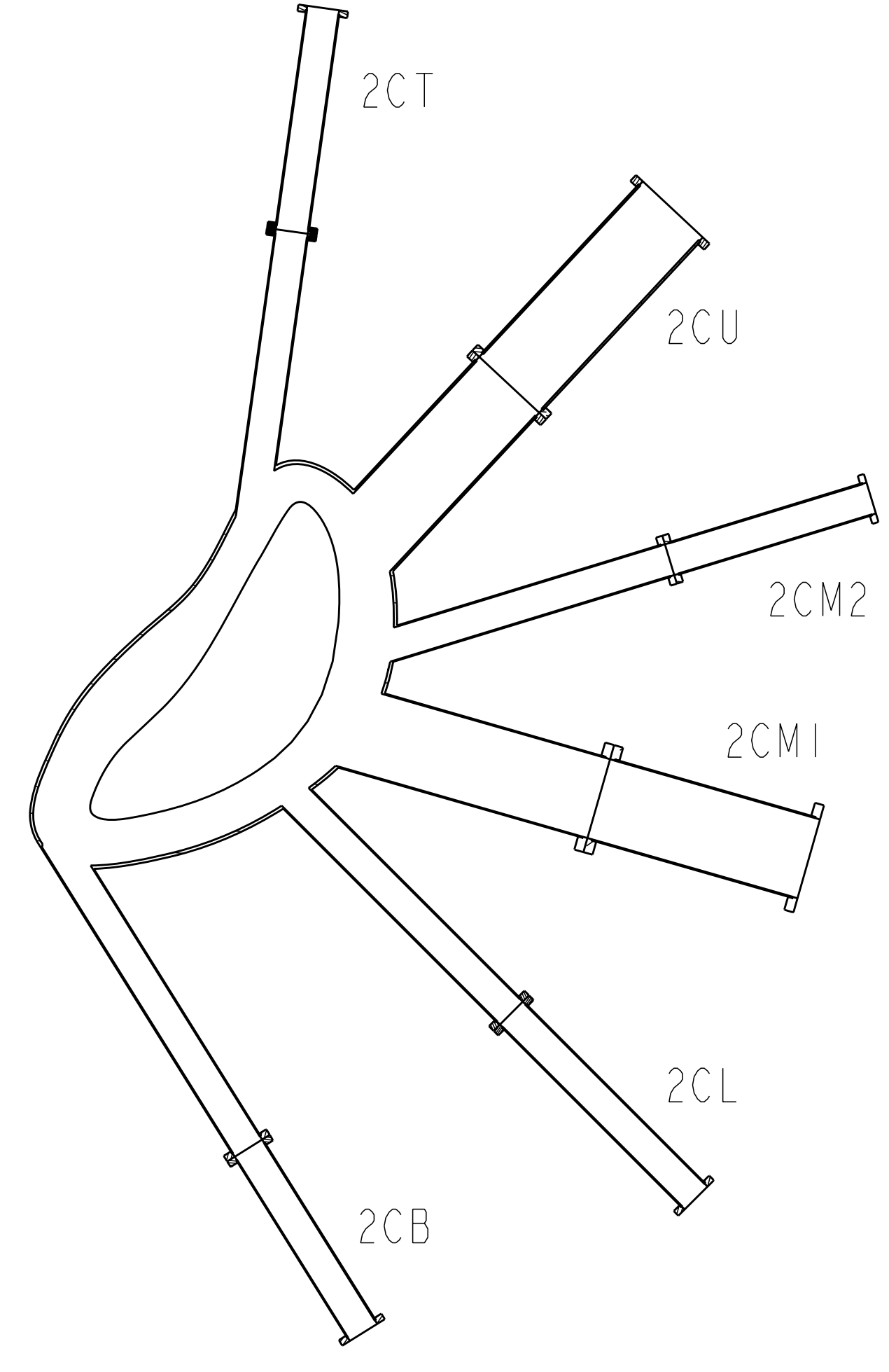
SECTION 2F  
 PORTS ROTATED INTO  
 PLANE OF SECTION



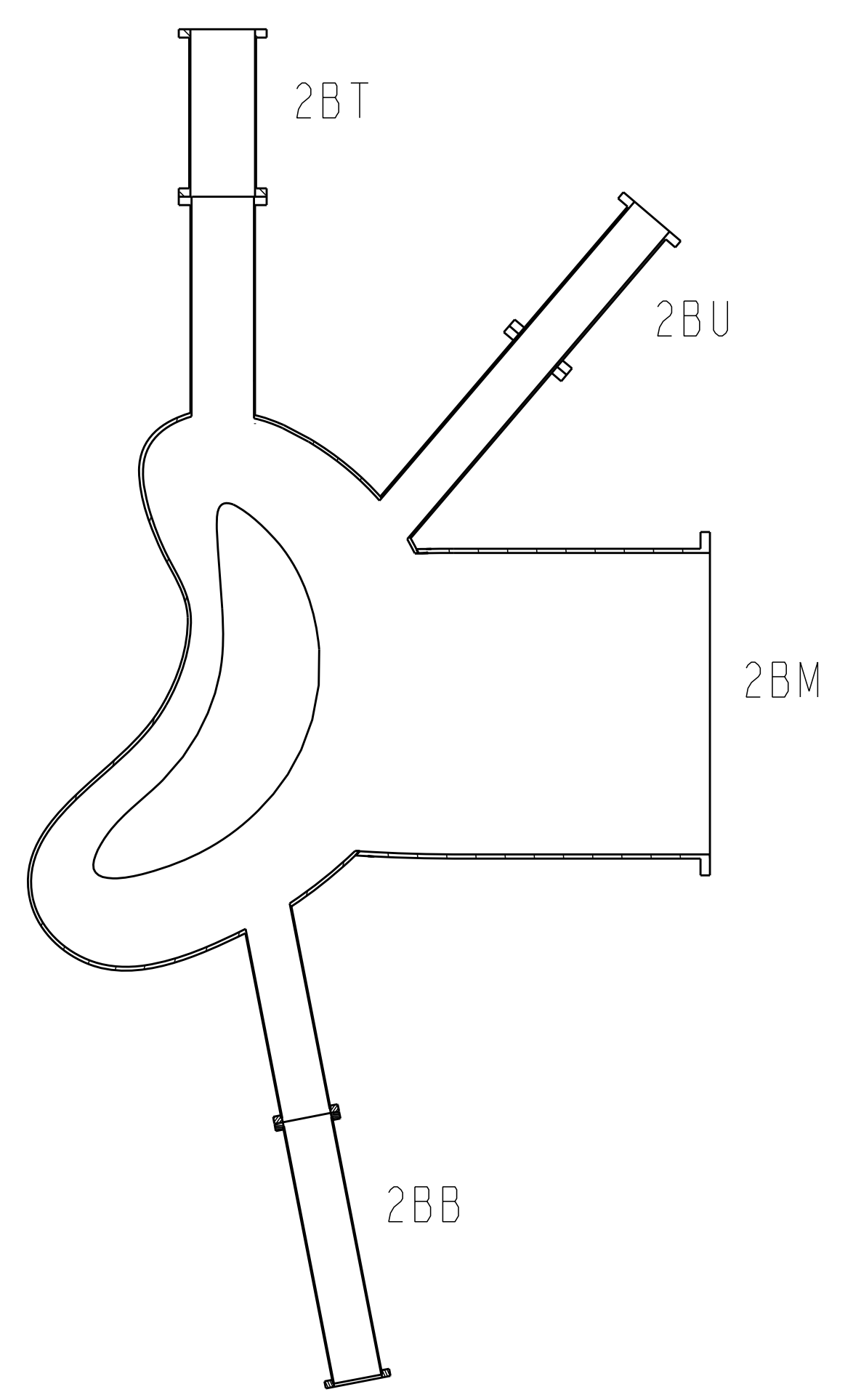
SECTION 2E  
 PORTS ROTATED INTO  
 PLANE OF SECTION



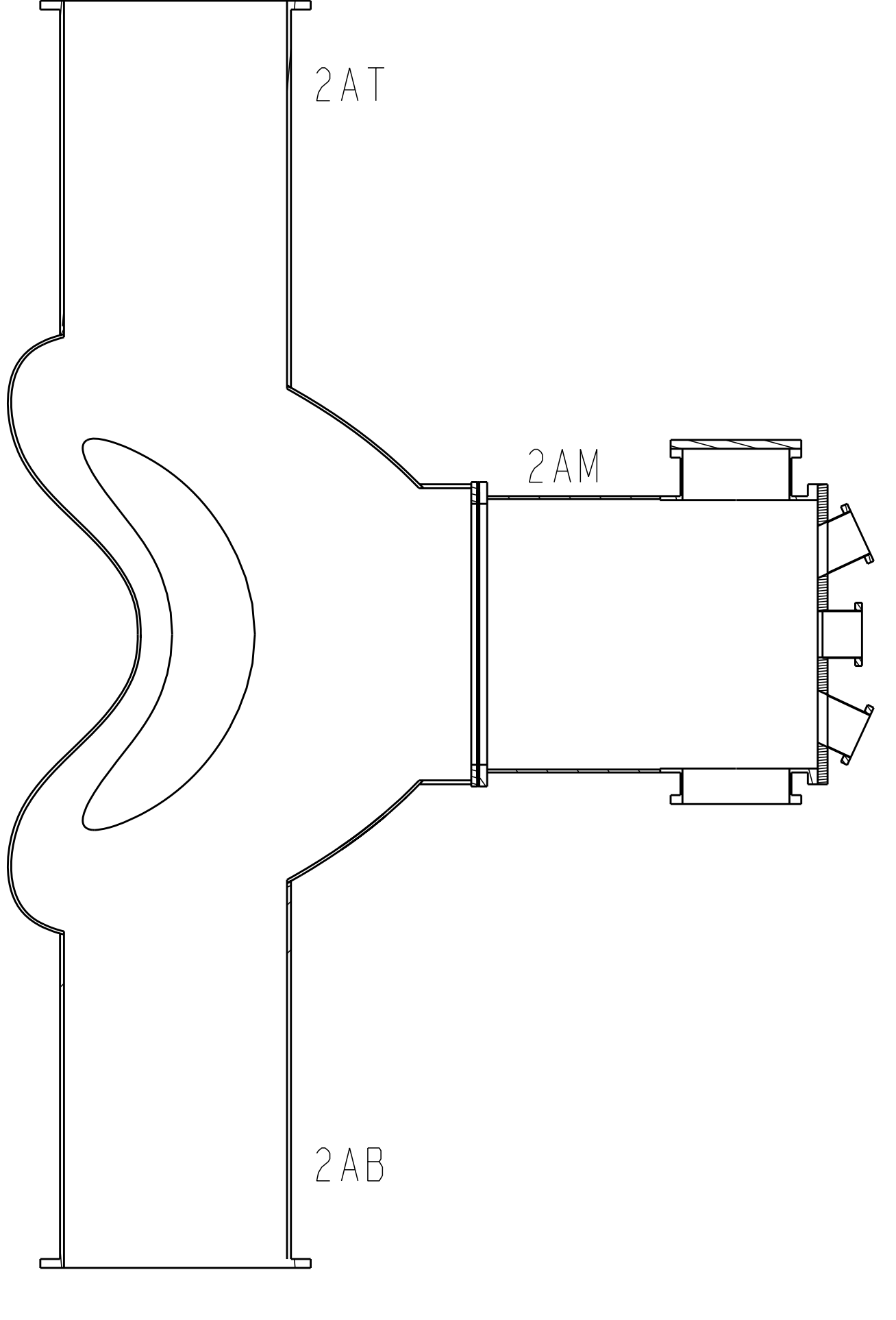
SECTION 2D  
 PORTS ROTATED INTO  
 PLANE OF SECTION



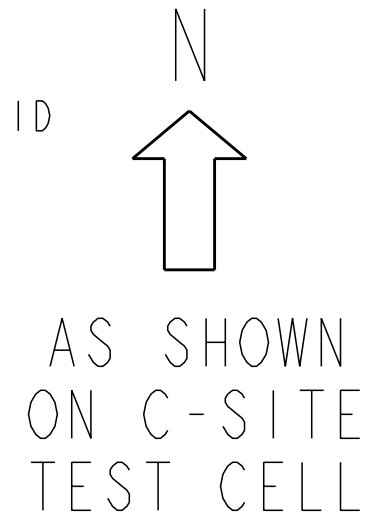
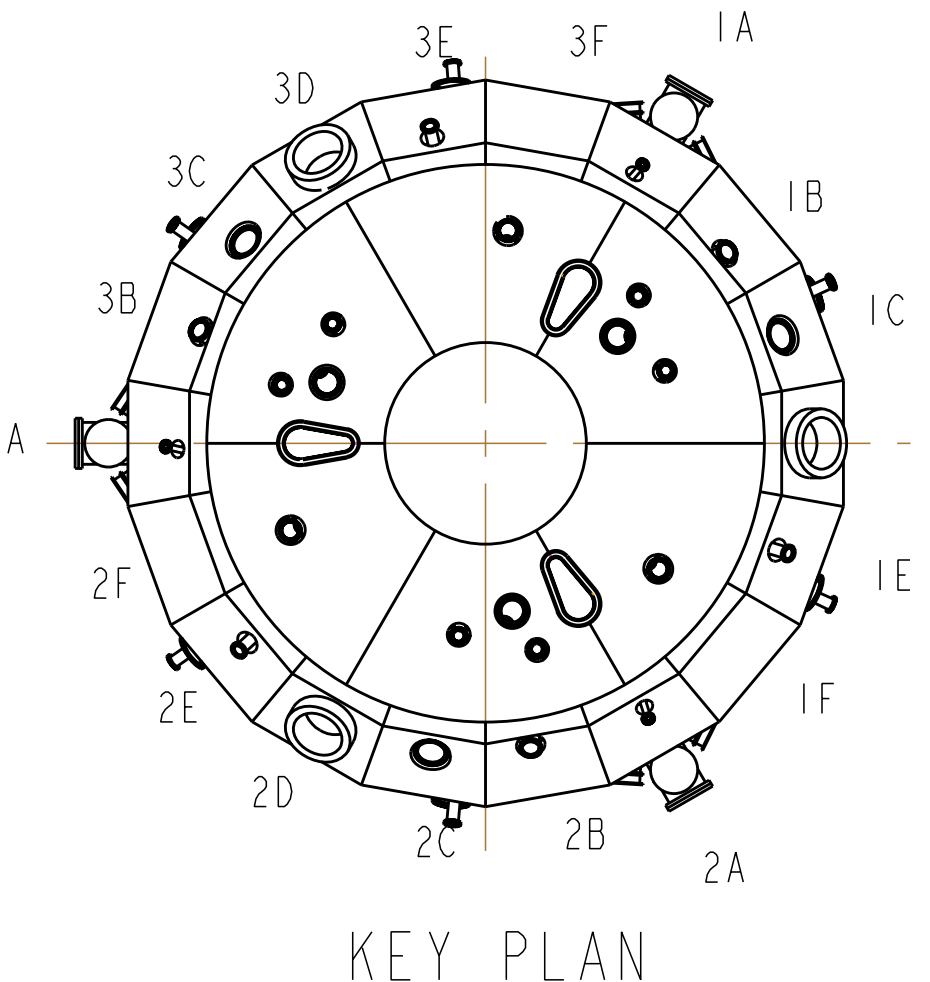
SECTION 2C  
 PORTS ROTATED INTO  
 PLANE OF SECTION



SECTION 2B  
 PORTS ROTATED INTO  
 PLANE OF SECTION



SECTION 2A  
 PORTS ROTATED INTO  
 PLANE OF SECTION

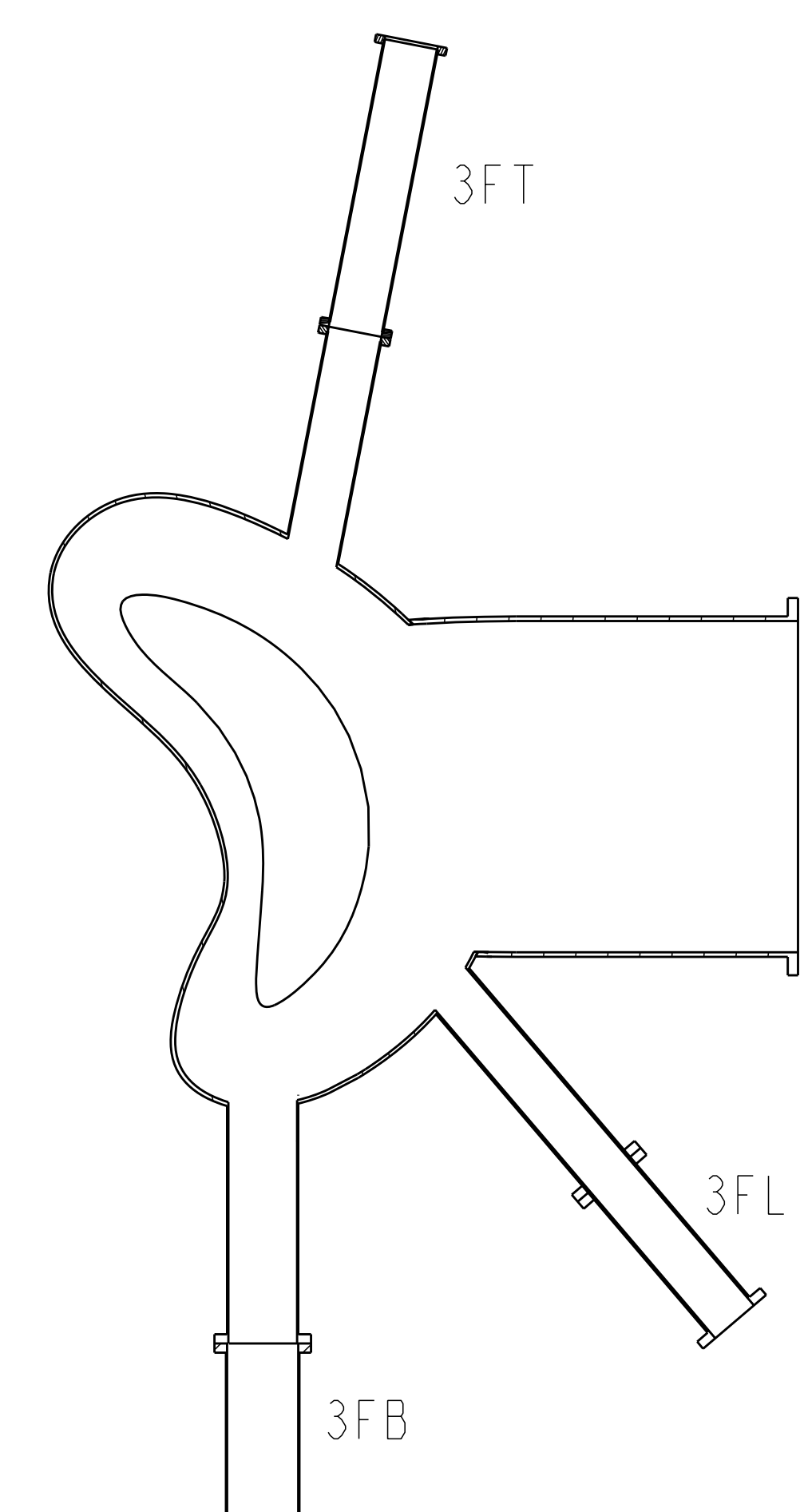
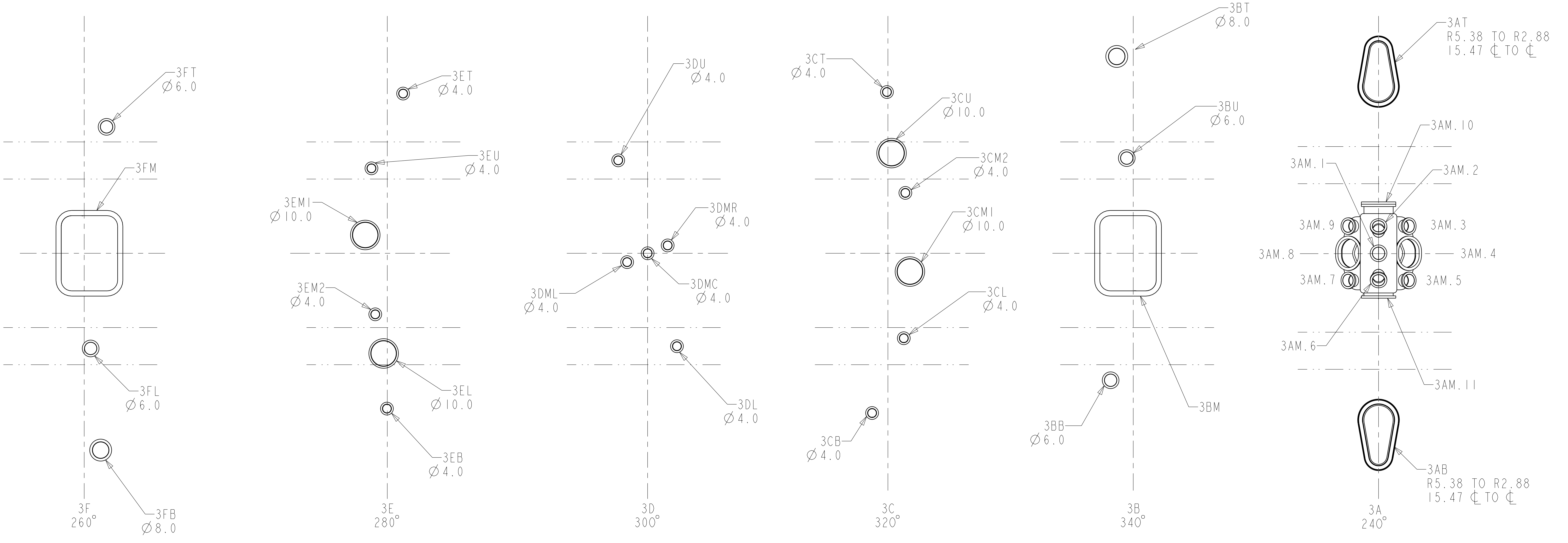


AS SHOWN  
 ON C-SITE  
 TEST CELL

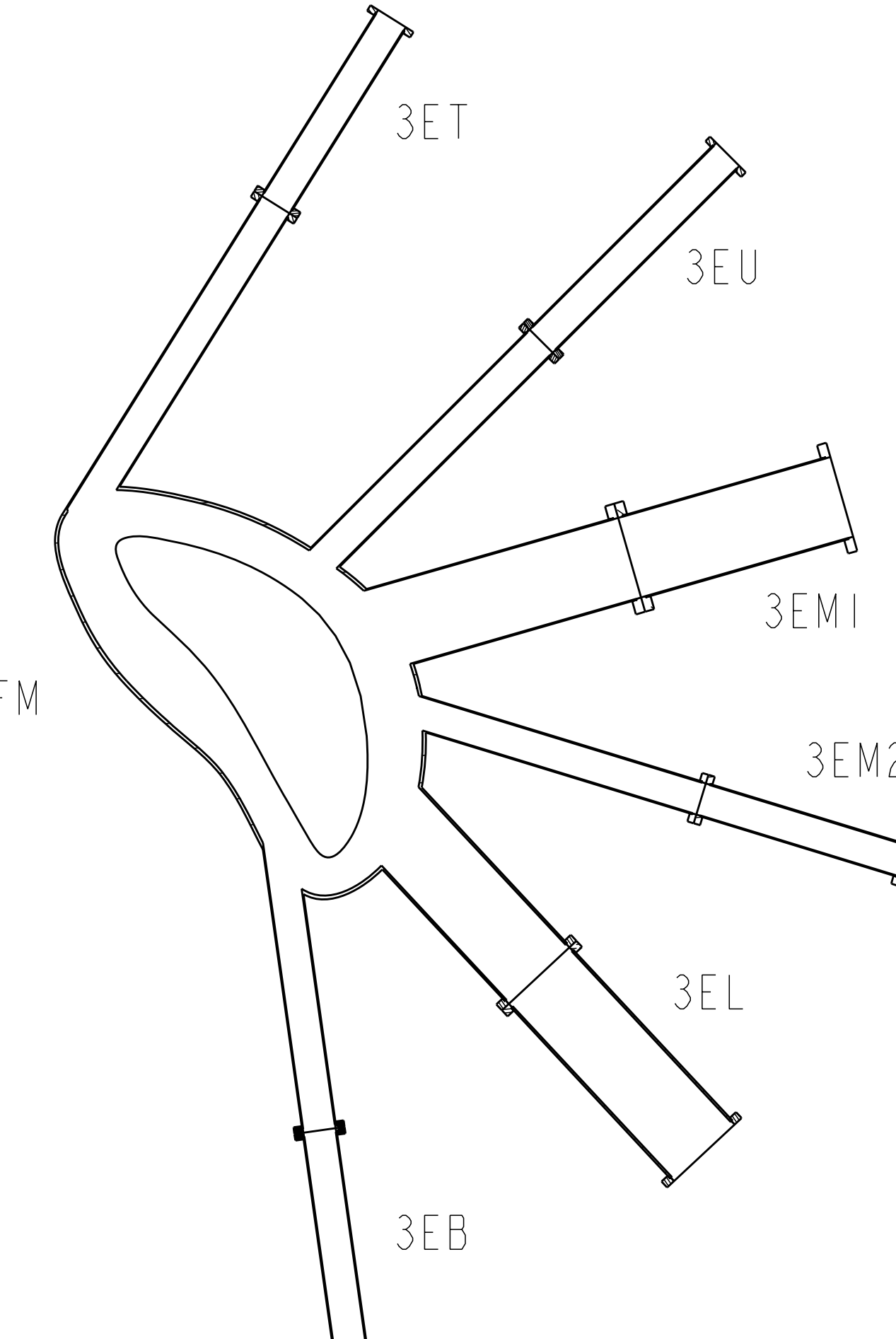
**DRAFT**

Oak Ridge National Laboratory managed for the DEPARTMENT OF ENERGY under U.S. GOVERNMENT contract DE-AC05-00OR22725 UT-BATTELLE, LLC, Oak Ridge, Tennessee						
NATIONAL COMPACT STELLERATOR EXPERIMENT DIAGNOSTICS PORT LOCATION MAP						
VERSION NO. proj_version	PLANT XX	BLDG XX	FL XX	SHT OF 2 3	TYPE S	CLASS U
RELEASE LEVEL proj_release				GHJ200-001		REV 0

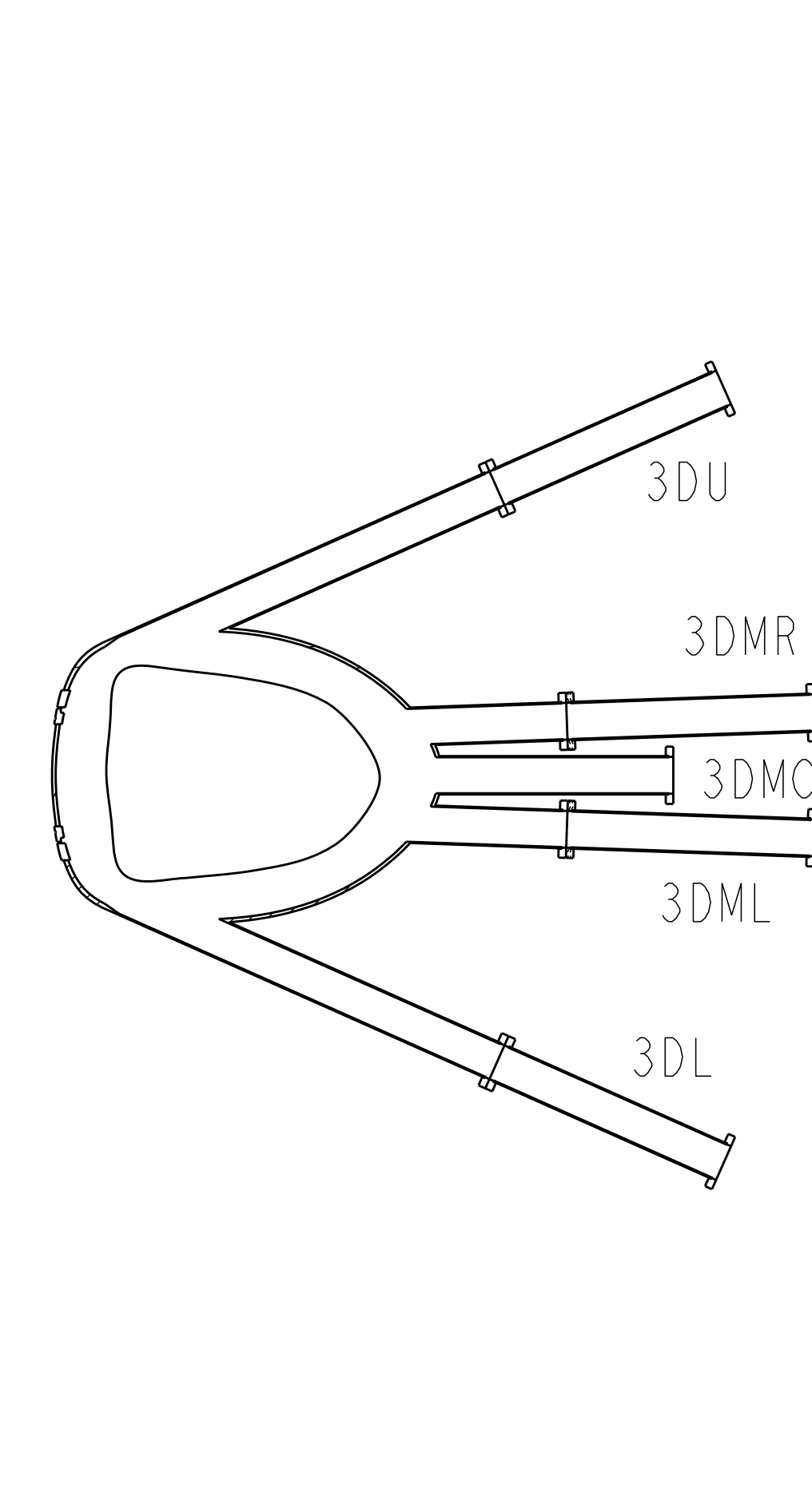
GHJ200-001



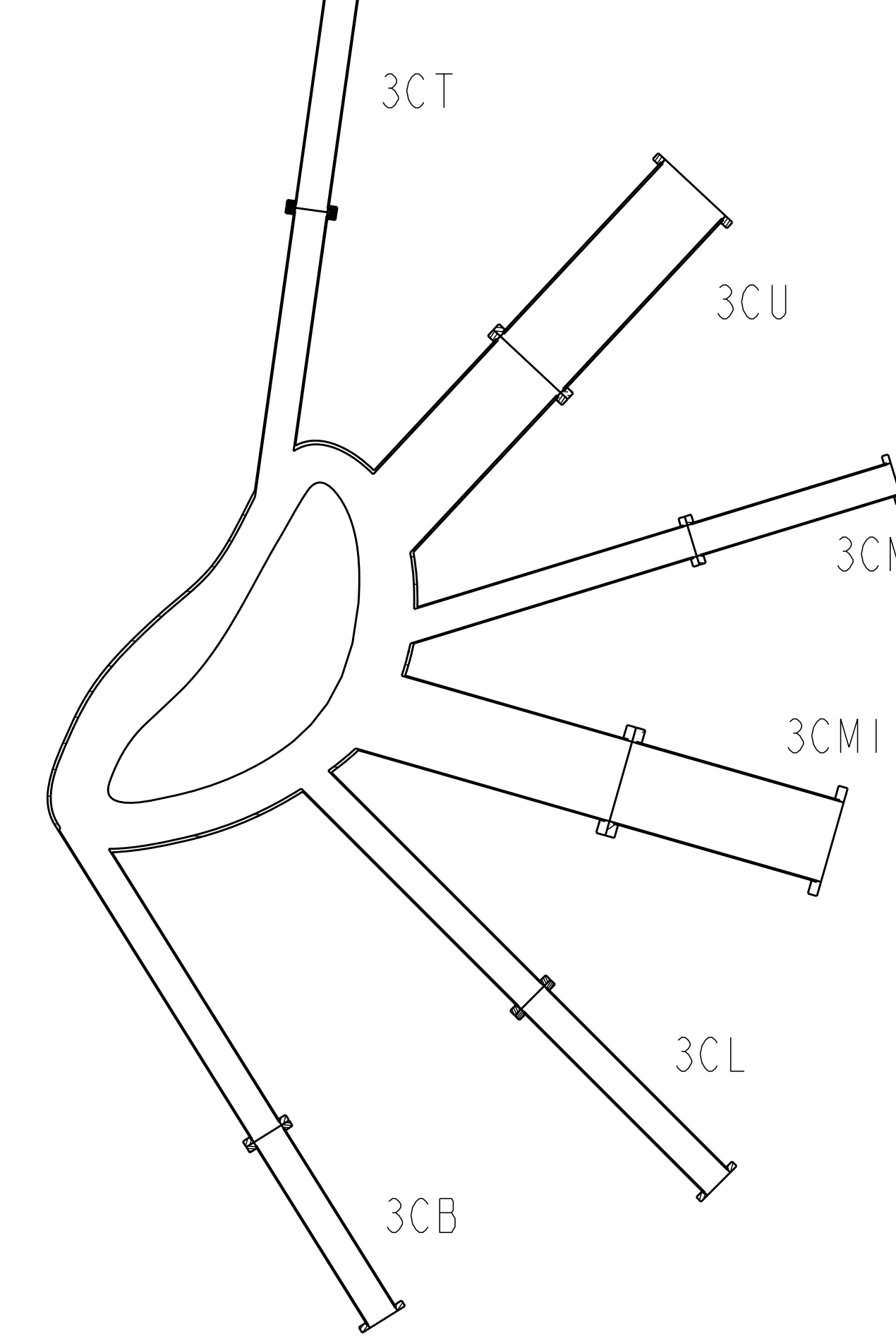
SECTION 3F  
 PORTS ROTATED INTO  
 PLANE OF SECTION



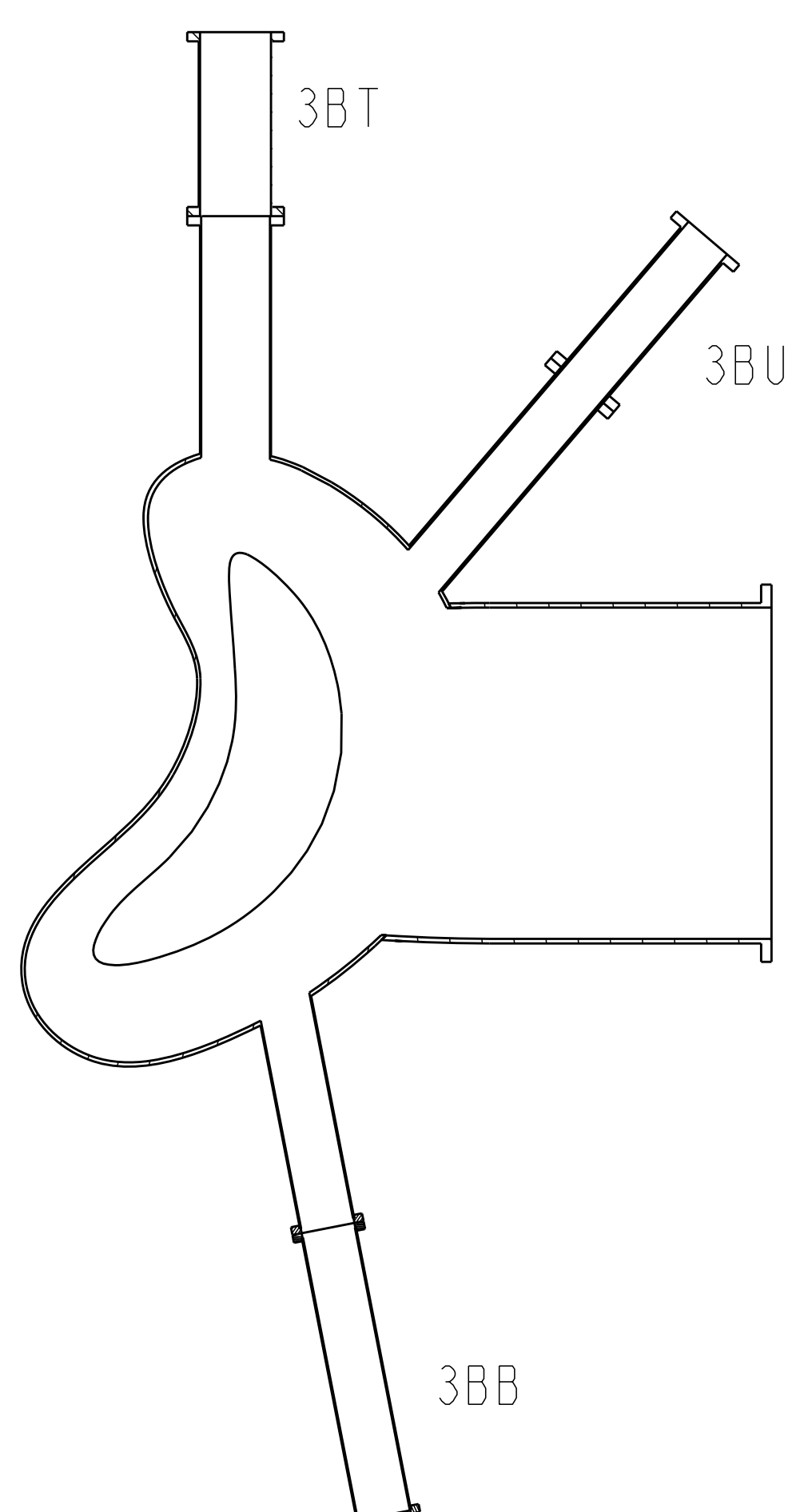
SECTION 3E  
 PORTS ROTATED INTO  
 PLANE OF SECTION



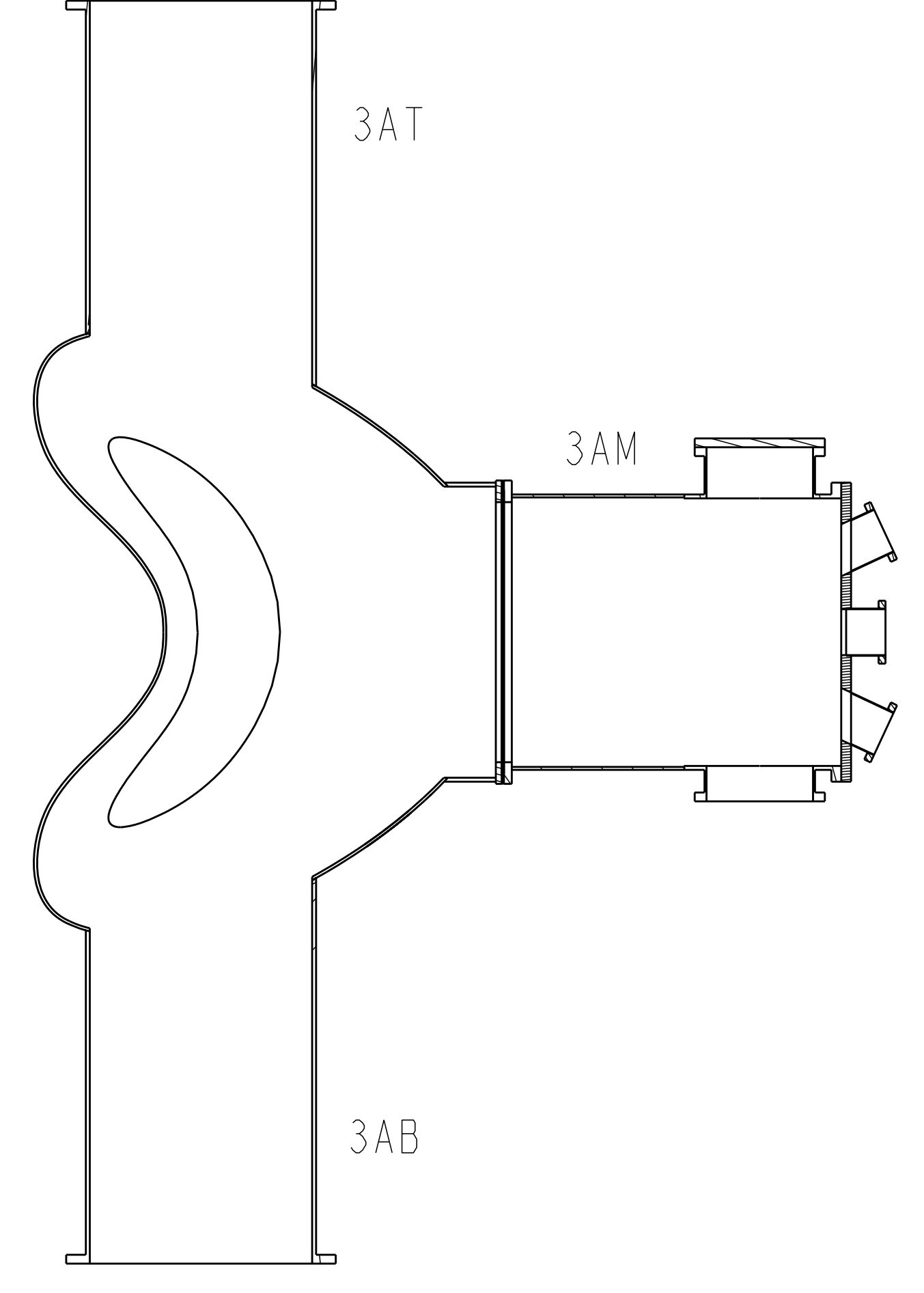
SECTION 3D  
 PORTS ROTATED INTO  
 PLANE OF SECTION



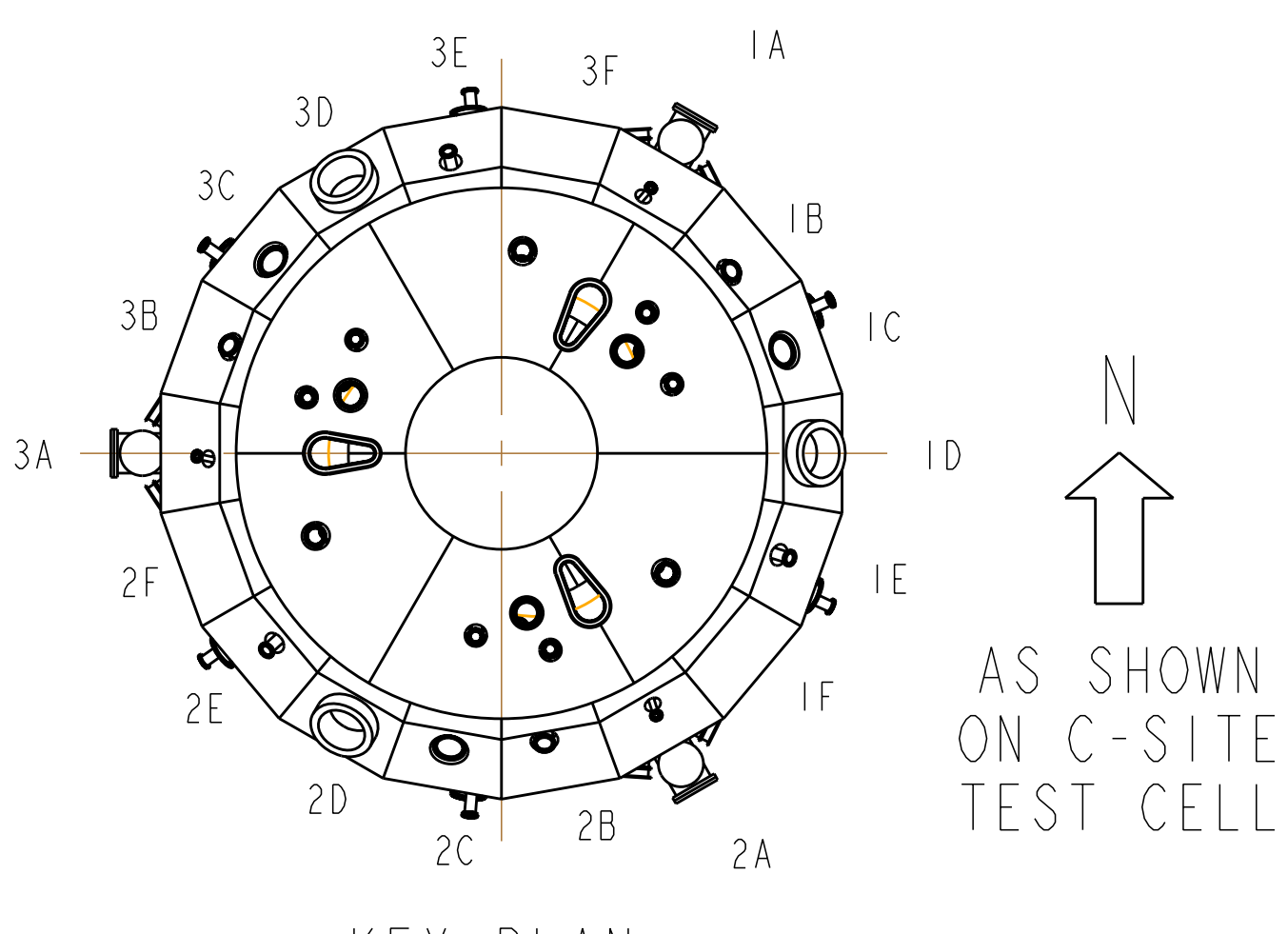
SECTION 3C  
 PORTS ROTATED INTO  
 PLANE OF SECTION



SECTION 3B  
 PORTS ROTATED INTO  
 PLANE OF SECTION



SECTION 3A  
 PORTS ROTATED INTO  
 PLANE OF SECTION



KEY PLAN

**DRAFT**

Oak Ridge National Laboratory managed for the DEPARTMENT OF ENERGY under U.S. GOVERNMENT contract DE-AC05-00OR22725 UT-BATTELLE, LLC. Oak Ridge, Tennessee PROJECT NAME:						
NATIONAL COMPACT STELLERATOR EXPERIMENT DIAGNOSTICS PORT LOCATION MAP						
VERSION NO. proj_version	PLANT XX	BLDG XX	FL XX	SHT OF 3	TYPE 3	CLASS S
RELEASE LEVEL proj_release						REV U
GHJ200-001						0

GHJ200-001