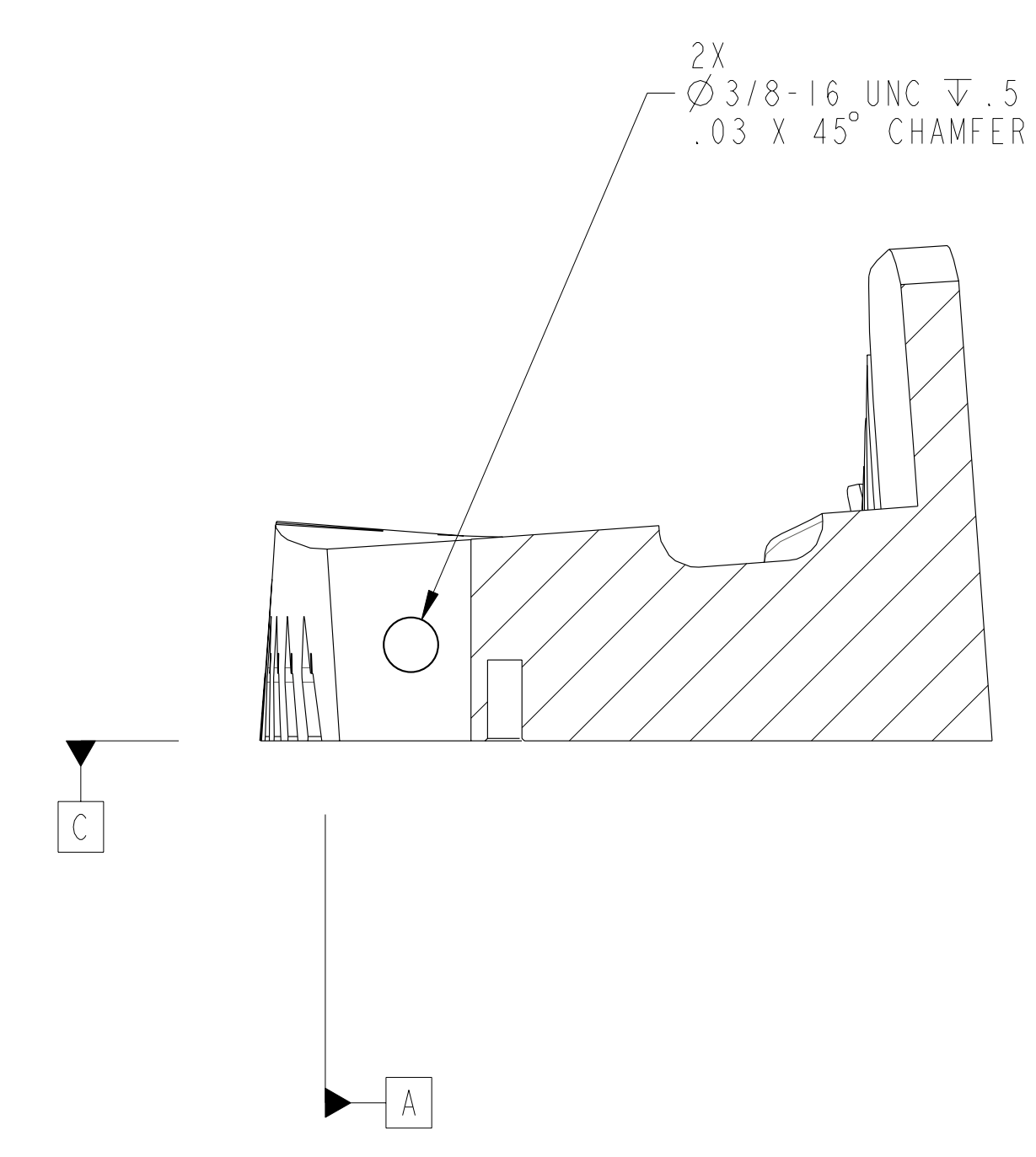
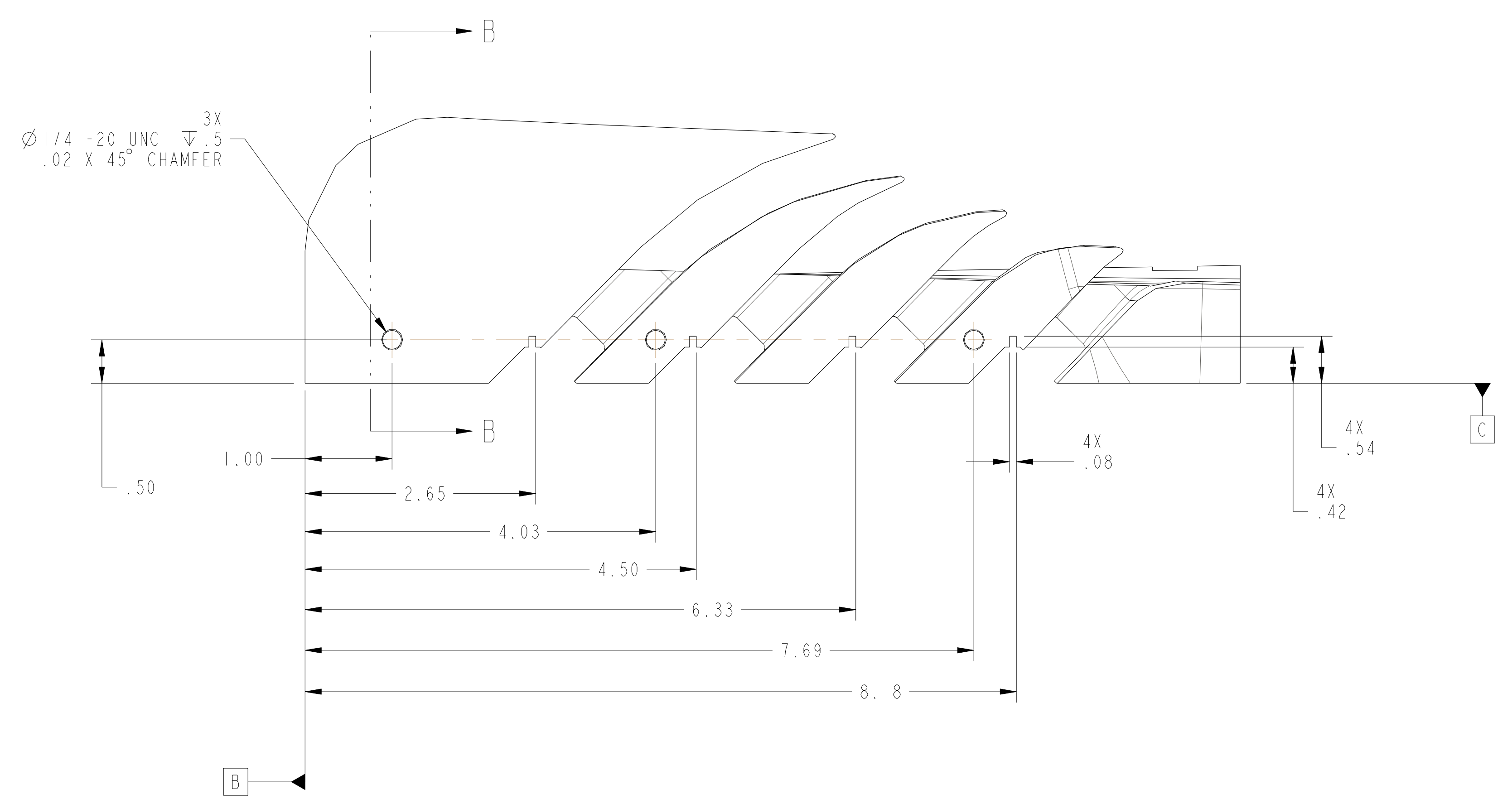


- NOTES:
1. INTERPRET DIMENSIONS AND TOLERANCES PER ANSI Y14.5M
 2. DIMENSIONS ARE IN INCHES.
 3. PART SURFACES ARE DEFINED BY MODEL FILE SE142C-136.STP.
 4. MACHINE PART SURFACES TO PROFILE TOLERANCE OF ±.010-IN.
 5. HOLE LOCATIONS ARE DEFINED BY MODEL SURFACES, BUT DETAILS ARE DEFINED BY DRAWING NOTE CALLOUTS.
 6. REMOVE ALL BURRS AND SHARP EDGES

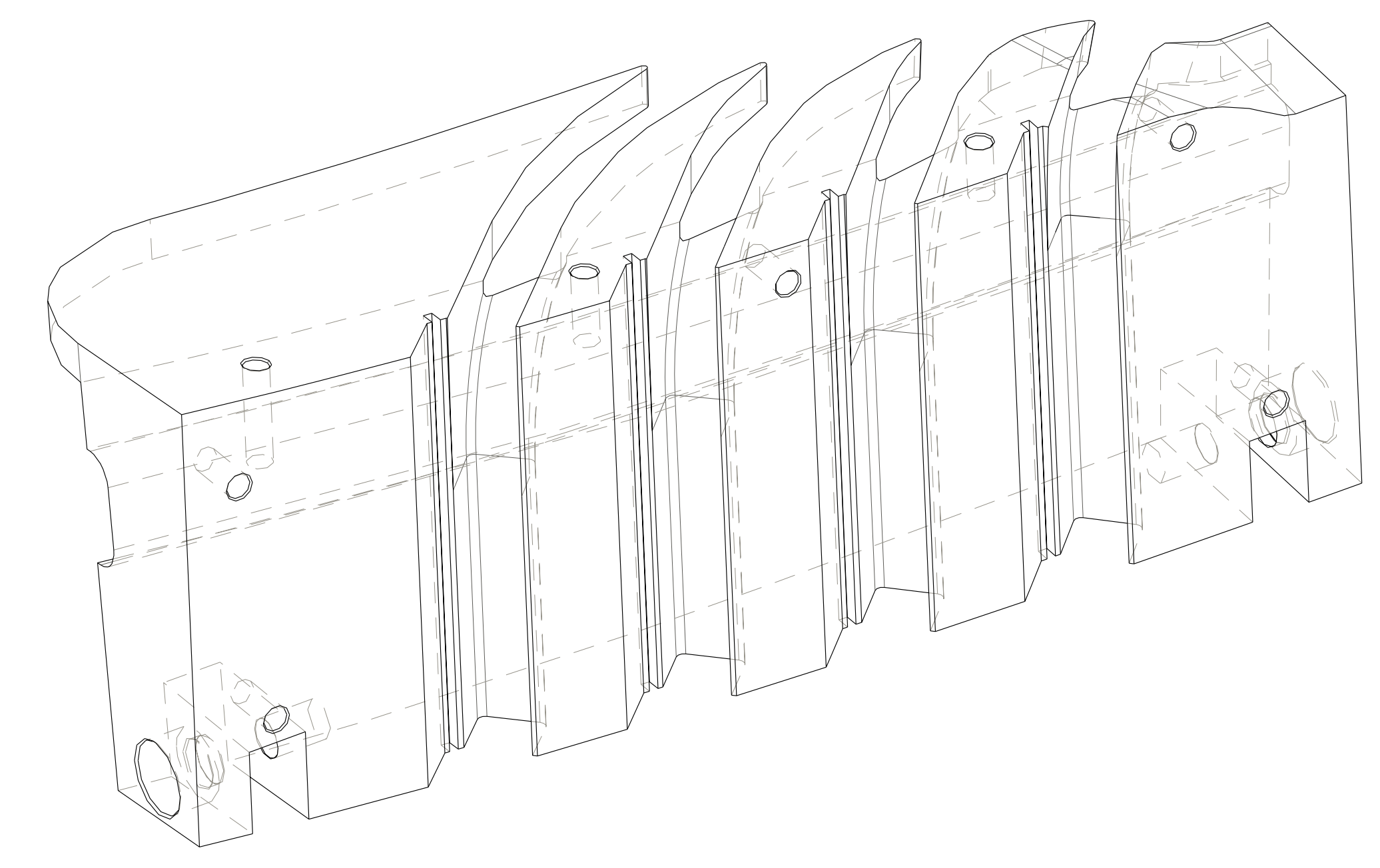


SECTION B-B

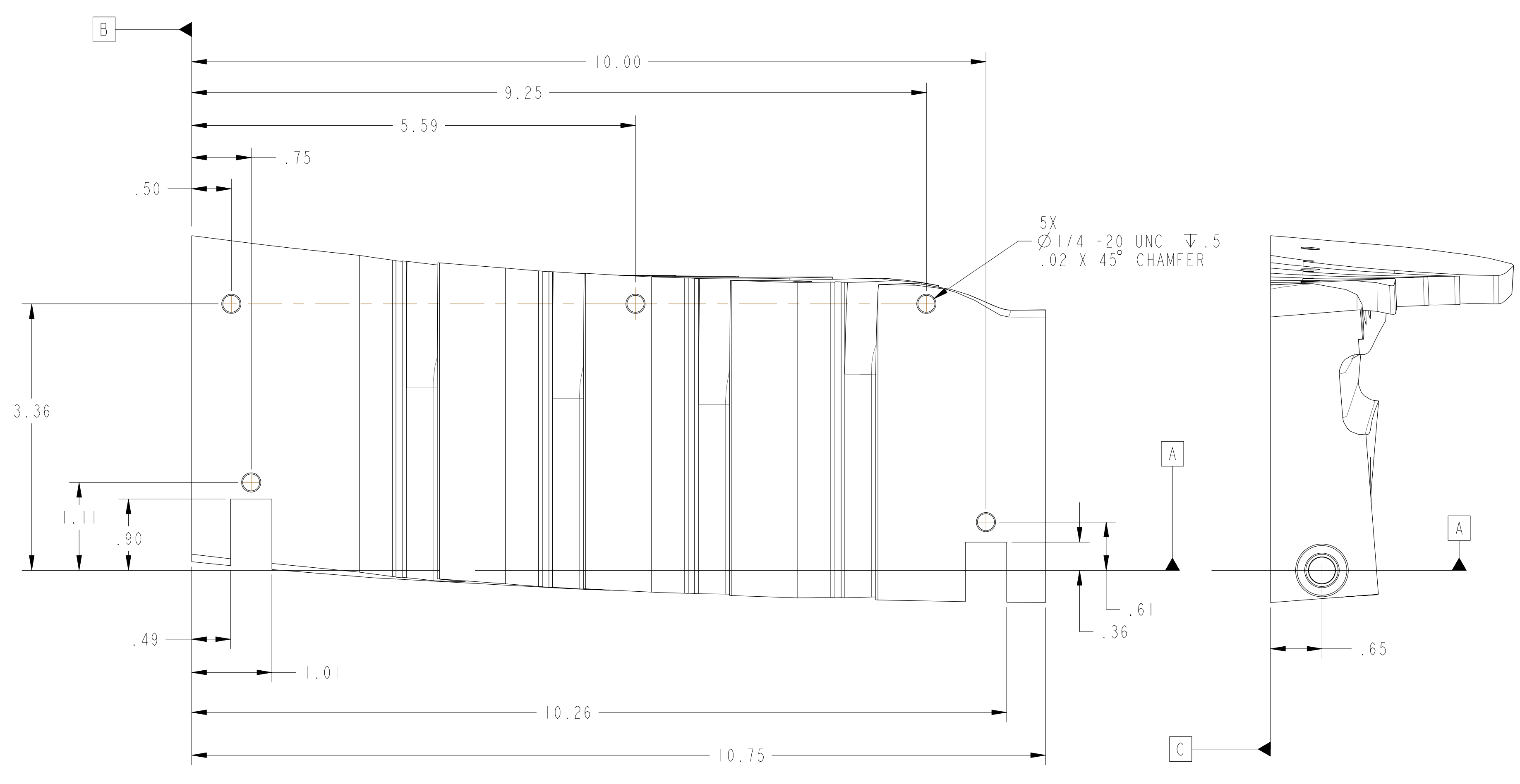
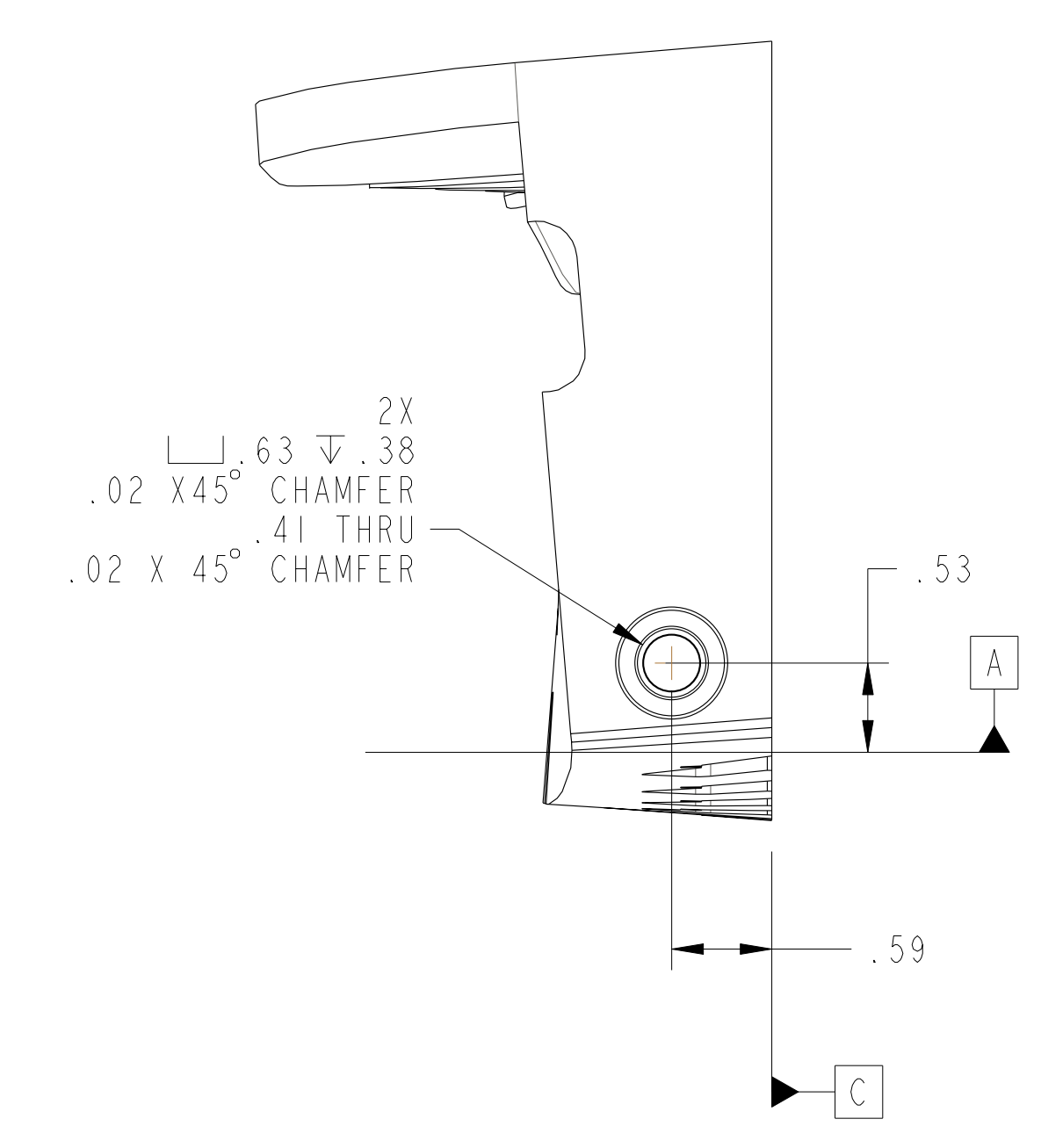


ECN-5066. This ECN Revised winding pack and conductor dimensions to match as-built Twisted Racetrack Coil (TRC) measurements. The first involved a very slight increase in the large radius (by sanding) in zone G-6 to provide additional winding pack clearance. In Zone D-4, a groove was added to the end of the block for the purpose of routing the flux loop diagnostic.

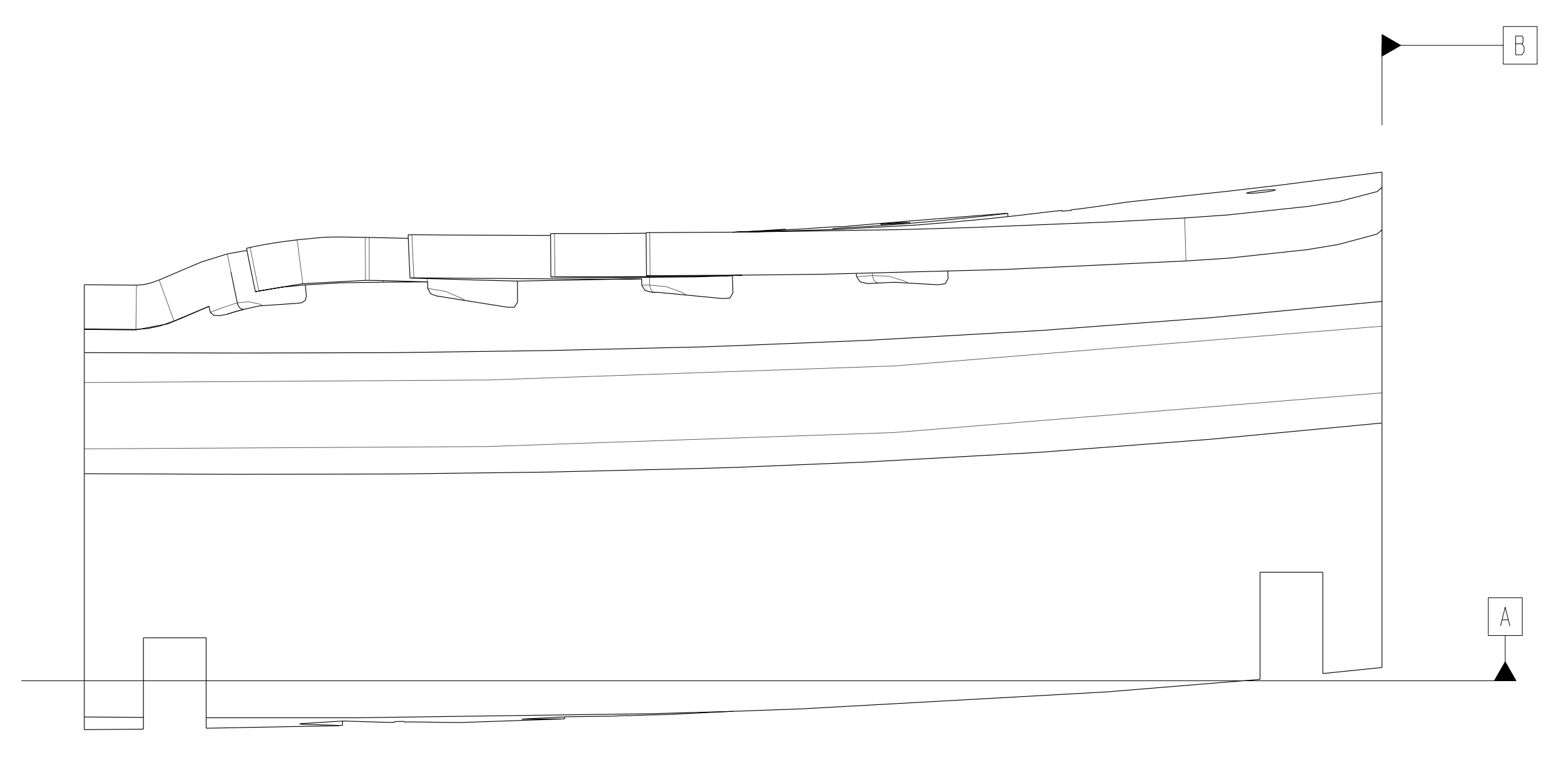
(See ECN-5066 for details)



ISOMETRIC VIEW



SCALE 1 : 1



RELEASED FOR FABRICATION / INSTALLATION

PPPL Drafting:

next assy	CAGE CODE	PART OR IDENTIFYING NO	NOMENCLATURE OR DESCRIPTION	MATERIAL	SPECIFICATION	FIND NO
			UPPER "A" FILL BLOCK	G11		
			NEXT ASSEMBLY		PARTS LIST	

NO REPRESENTATION OR WARRANTY, EXPRESSED OR IMPLIED, IS MADE AS TO THE ACCURACY, COMPLETENESS OR USEFULNESS OF THE INFORMATION OR STATEMENTS CONTAINED IN THESE DRAWINGS, OR THAT THE USE OR DISCLOSURE OF ANY INFORMATION, APPARATUS, METHOD OR PROCESS DISCLOSED IN THESE DRAWINGS MAY NOT INFRINGE PRIVATE RIGHTS OF OTHERS. NO LIABILITY IS ASSUMED WITH RESPECT TO THE USE OF, OR FOR DAMAGES RESULTING FROM THE USE OF, ANY INFORMATION, APPARATUS, METHOD OR PROCESS DISCLOSED IN THESE DRAWINGS. DRAWINGS MADE AVAILABLE FOR INFORMATION TO BIDDER ARE NOT TO BE USED FOR OTHER PURPOSES, AND ARE TO BE RETURNED UPON REQUEST OF THE FORWARDING CONTRACTOR.

P THIS DRAWING PRODUCED ON PRO-ENGINEER

REV	DESCRIPTION	BY	DATE	CHK	DEPT	DATE	PE	REQ	DATE	ORNL	DOE	DATE
0	INITIAL RELEASE	GLL	6-05		DEW							
	REVISION OR ISSUE PURPOSE											

SCALE NOTED	DES: PJ FOGARTY 6-05	UT-BATTELLE <small>Oak Ridge National Laboratory managed for the DEPARTMENT OF ENERGY under U.S. GOVERNMENT contract DE-AC05-00OR22725 UT-BATTELLE, LLC. Oak Ridge, Tennessee</small> NATIONAL COMPACT STELLARATOR EXPERIMENT
TOLERANCES UNLESS OTHERWISE SPECIFIED	DRW: G LOVETT 6-05	
FRACTIONS	CHK: M COLE 6-05	
XX DECIMALS ±.01	SECT: : :	
XXX DECIMALS ±.005	DEPT: : :	UPPER LEAD BLOCK SIDE "A"
ANGLES ±0°15'	PE: D WILLIAMSON 6-05	
BREAK SHARP EDGES .06 MAX	CR: : :	
FINISH :125 UNLESS OTHERWISE SPECIFIED	PJ: : :	
	REQ: : :	VERSION NO. 5
	PPPL DRFT J SIEGEL 6-05	PLANT X-10
		BLDG 5700
		FL 3
		SHT OF 1
		TYPE I
		CLASS U
		REV 0
		RELEASE LEVEL Fabrication
		SE142C-136