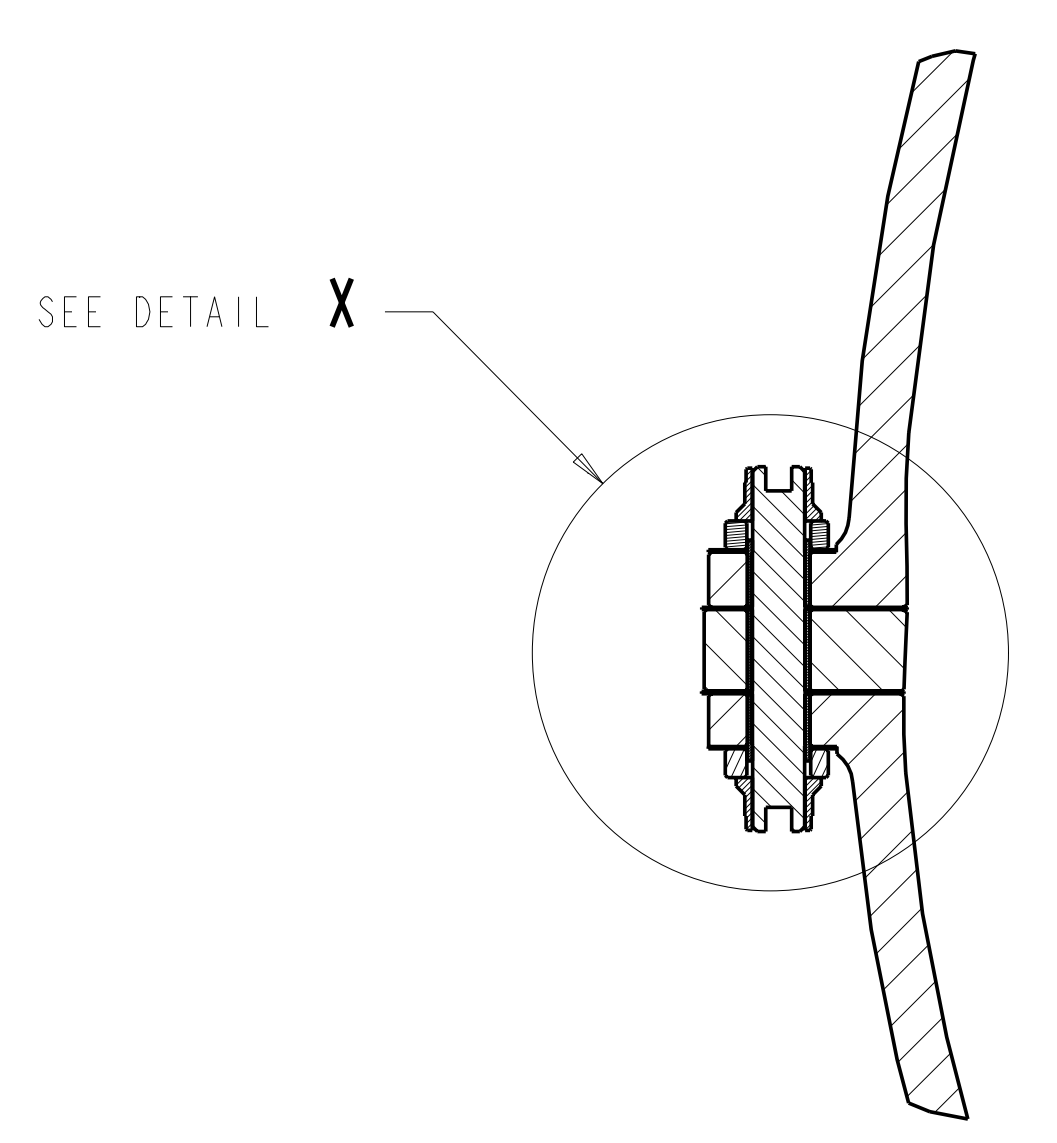
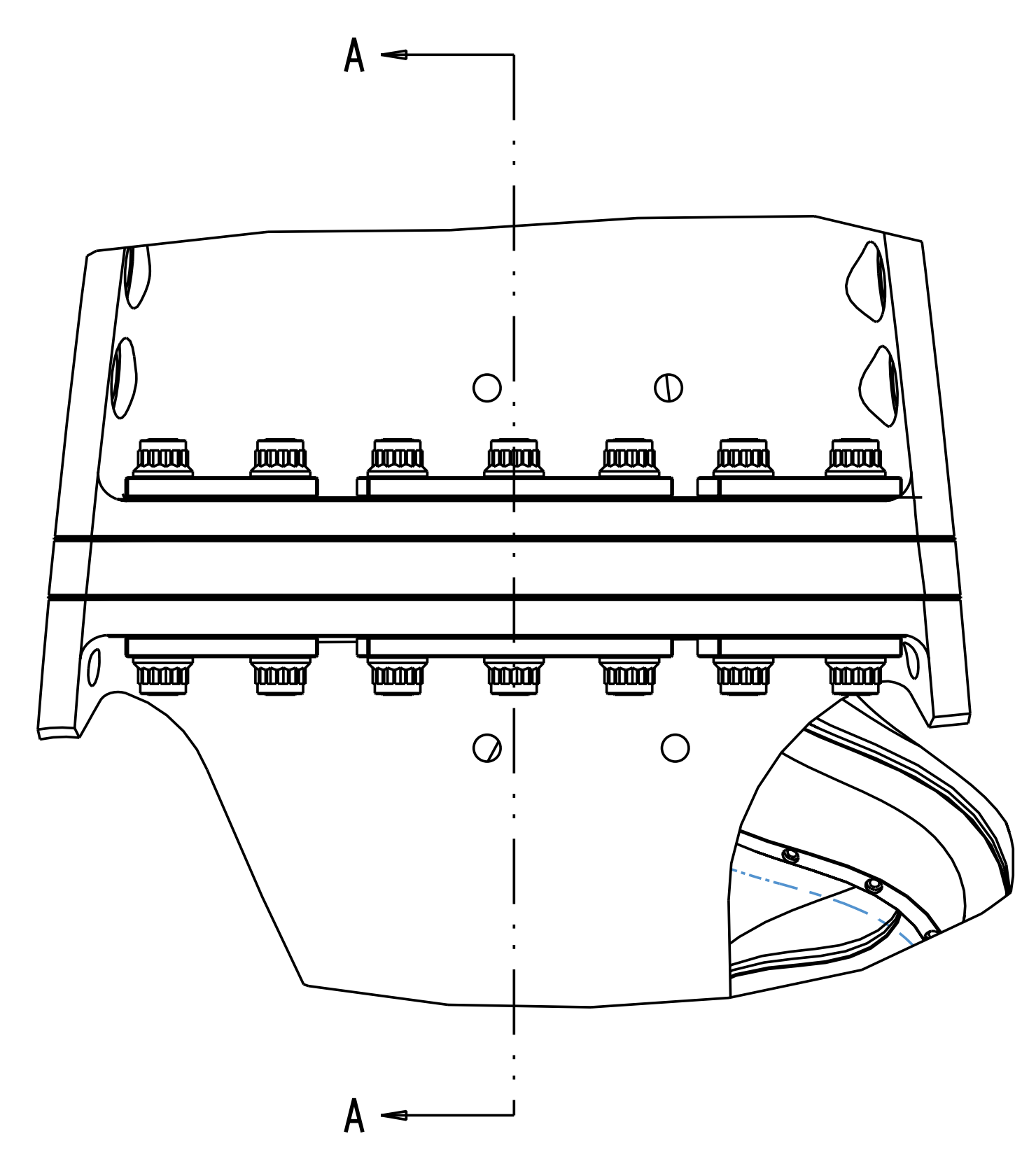
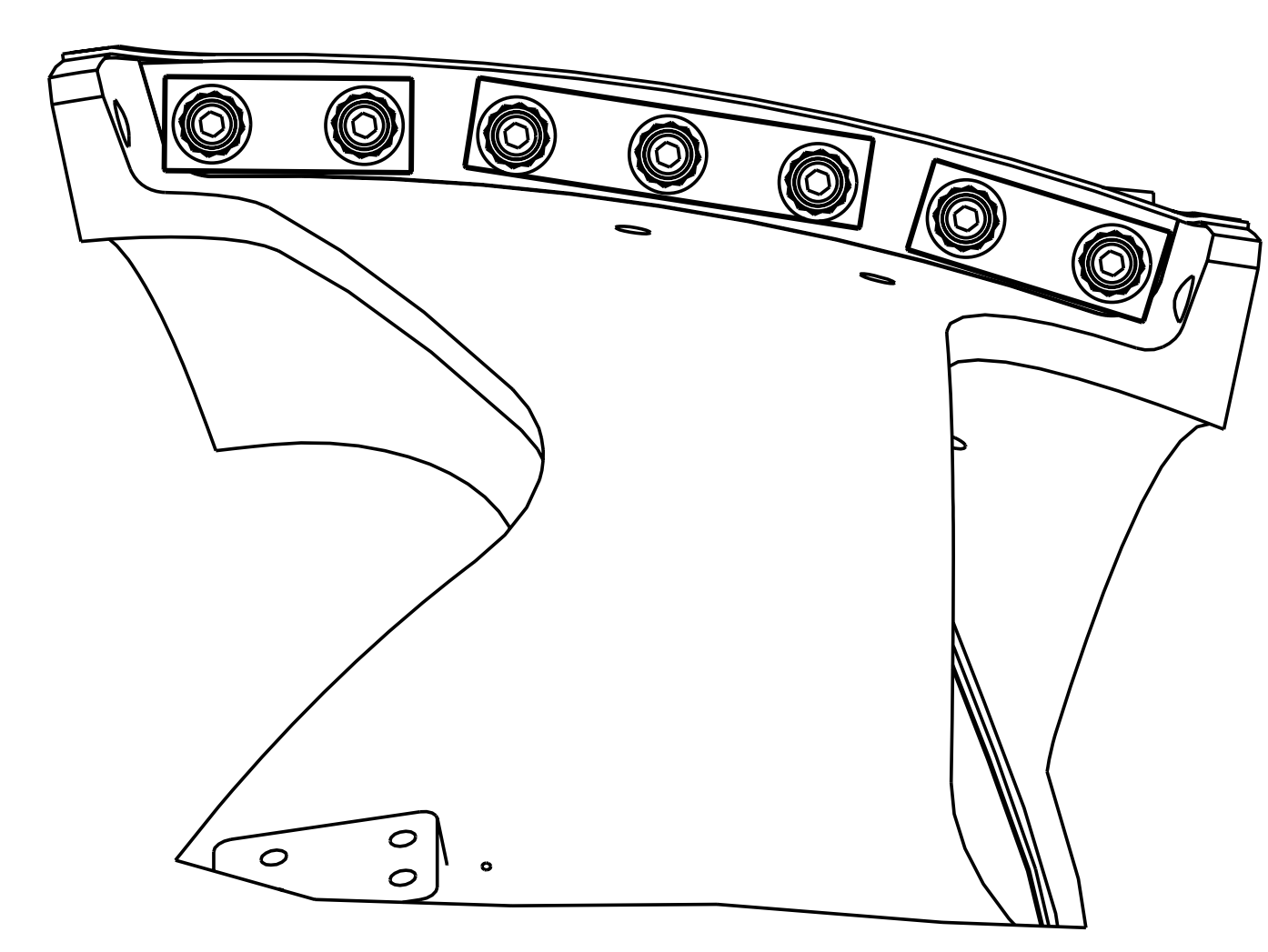


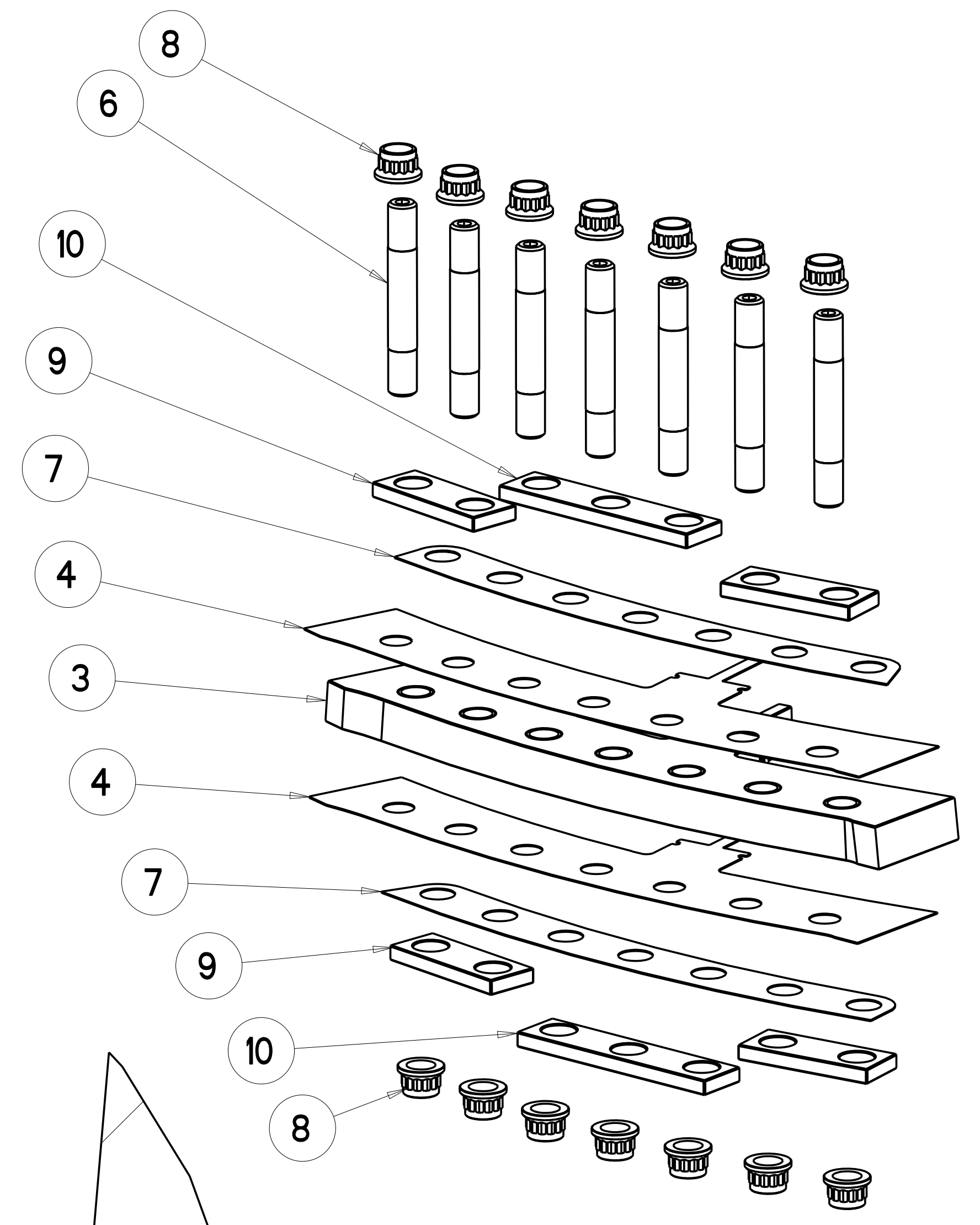
FOR NOTES AND PARTS LIST SEE SHEET 1



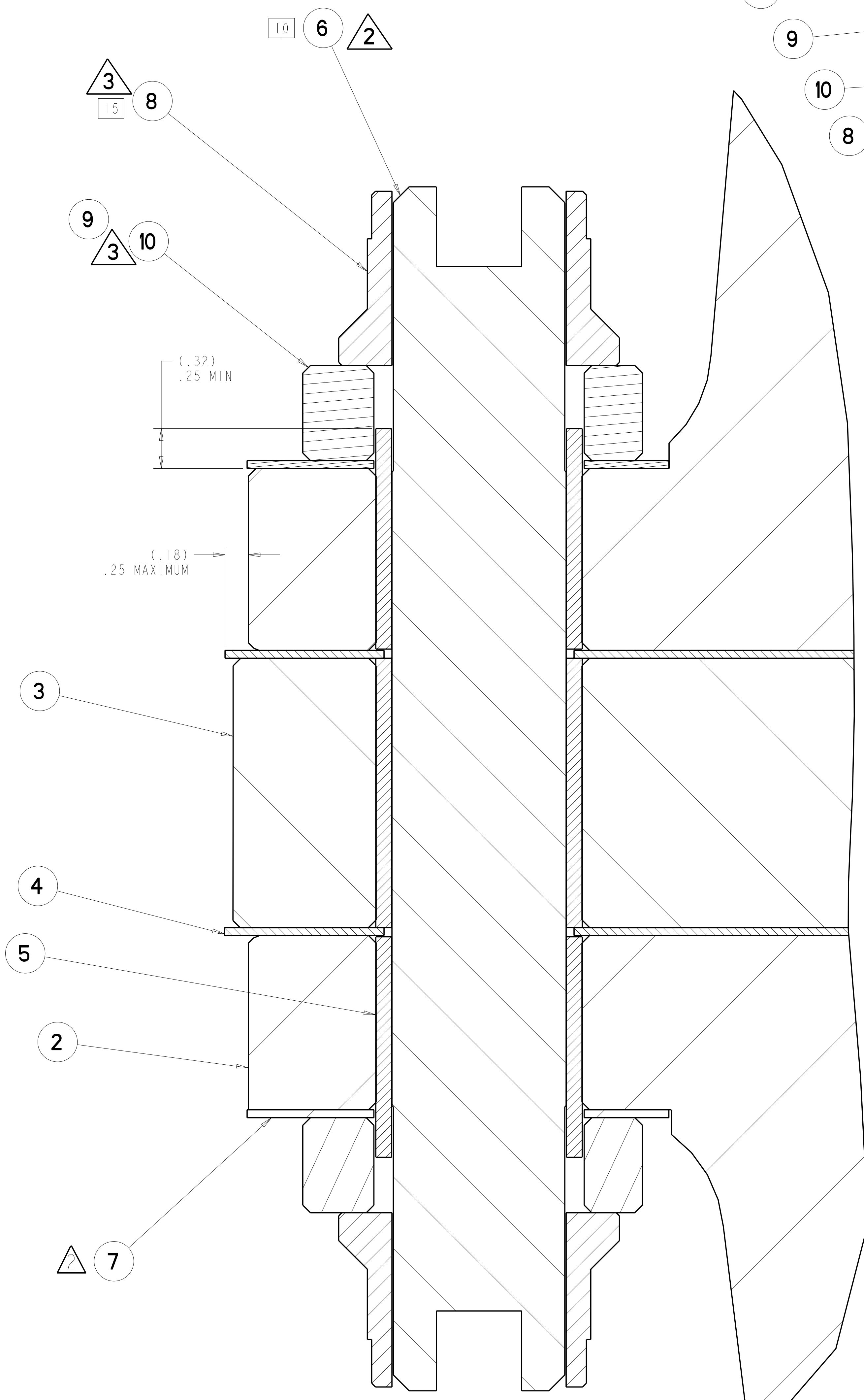
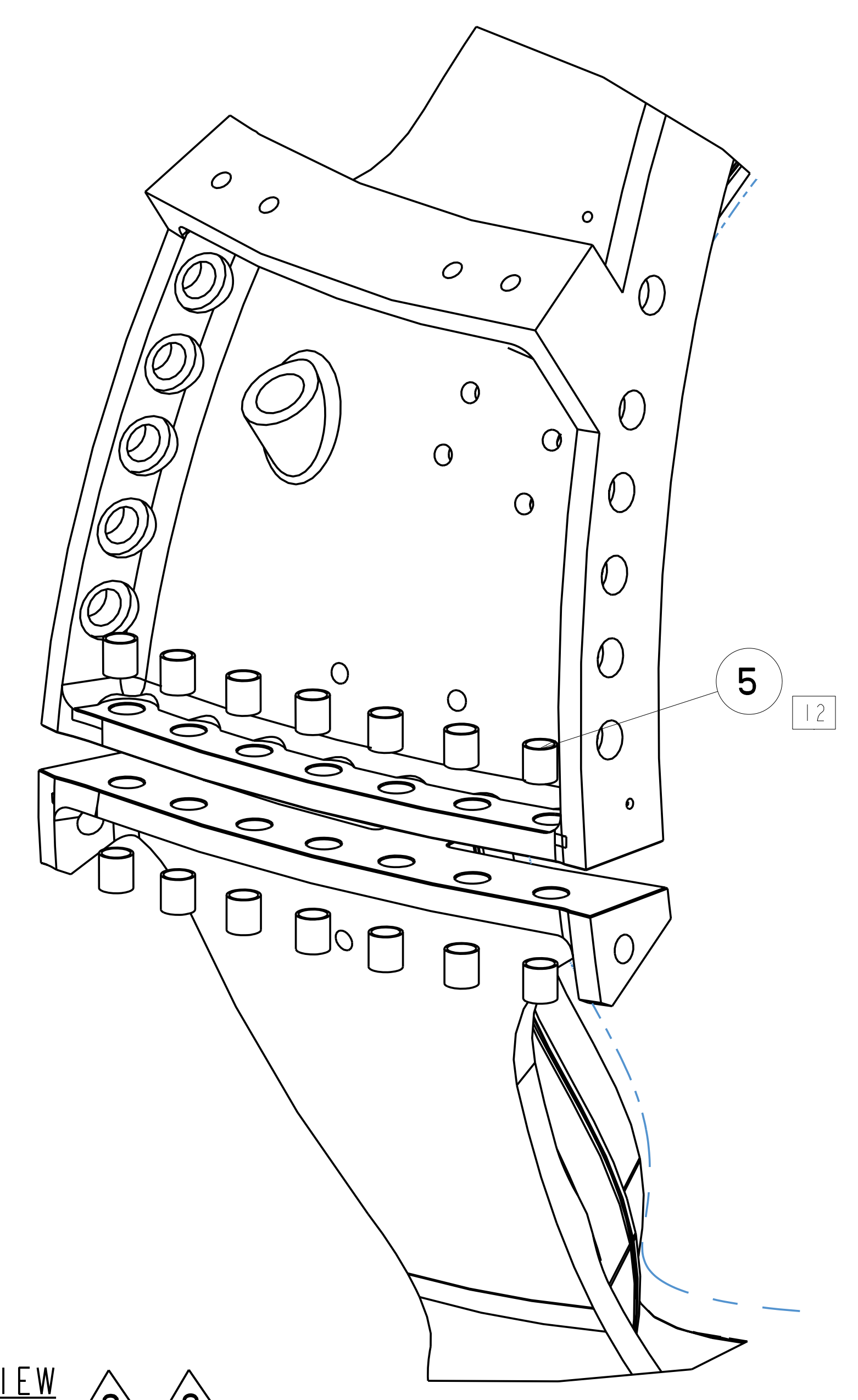
SECTION A-A
 SCALE 0.20



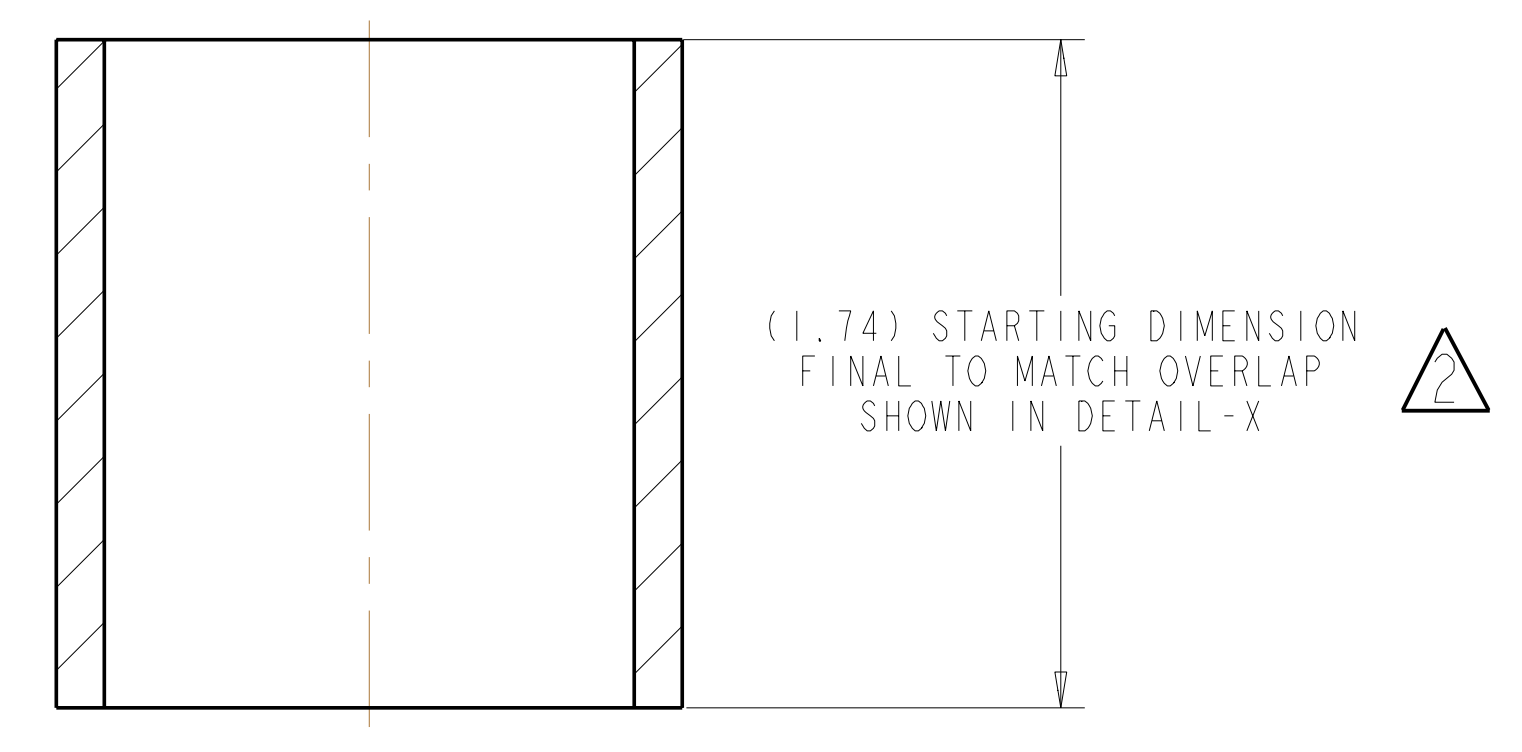
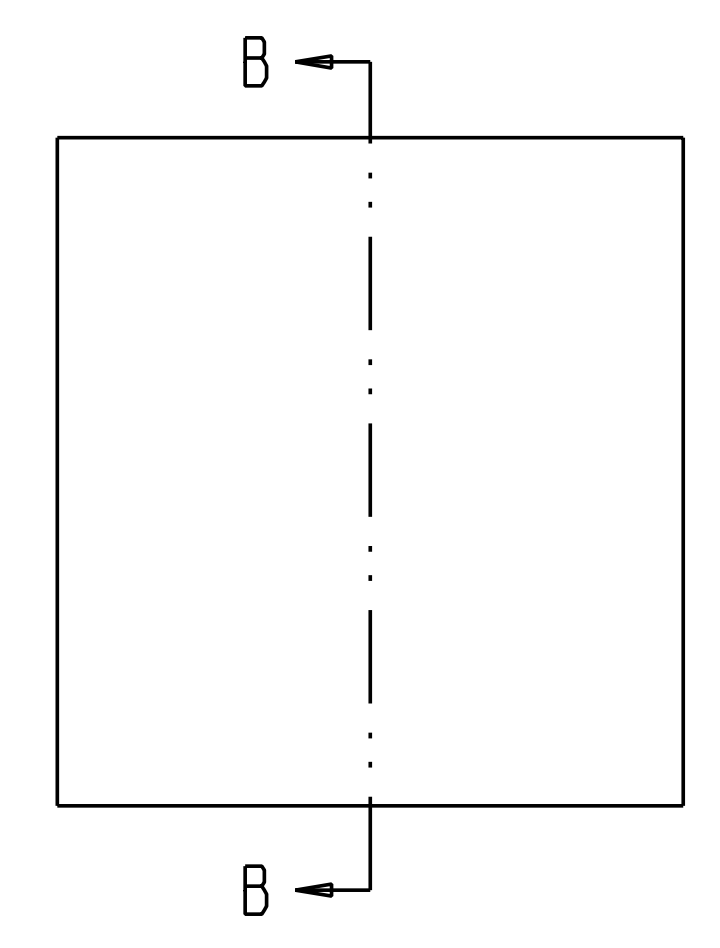
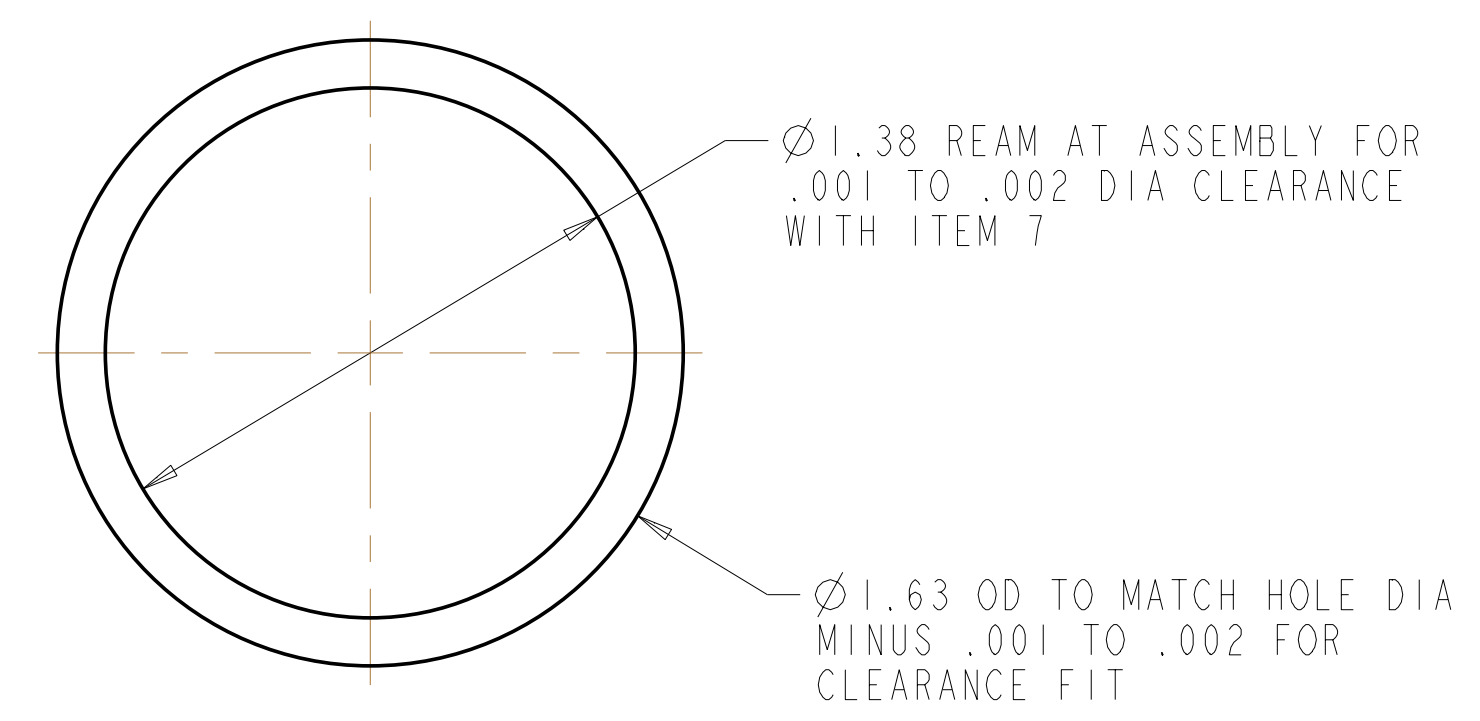
POLOIDAL BREAK DETAIL



EXPLODED VIEW
 SCALE 0.20



DETAIL X
 SCALE 2.00



SECTION B-B
 SCALE 2.00

ECN-5197 approved and decision made to apply ECN stamp vs. updating impacted drawings. This ECN prohibits the continued use of "Thred Gard" lubricant to bolts.
 (See ECN-5197 for Details)

**RELEASED FOR
 FABRICATION / INSTALLATION**
 PPPL Drafting:

Oak Ridge National Laboratory managed for the DEPARTMENT OF ENERGY under U.S. GOVERNMENT contract DE-AC05-00OR22725 UT-BATTELLE, LLC, Oak Ridge, Tennessee							
UT-BATTELLE NATIONAL COMPACT STELLARATOR EXPERIMENT							
MOD COIL WINDING FORM ASSEMBLY TYPE-A							
VERSION NO.	PLANT	BLDG	FL	SHT OF	TYPE	CLASS	
3	X-10	5700	3	2	S	U	
RELEASE LEVEL	SEI41-101						REV
Fabrication							3

H
G
F
E
D
C
B
A