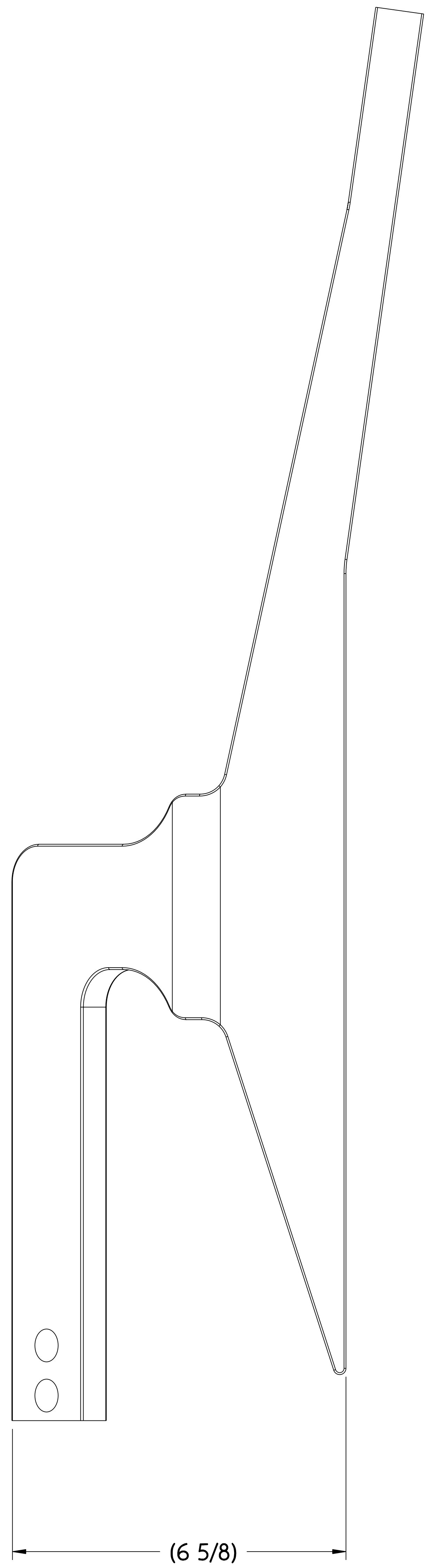
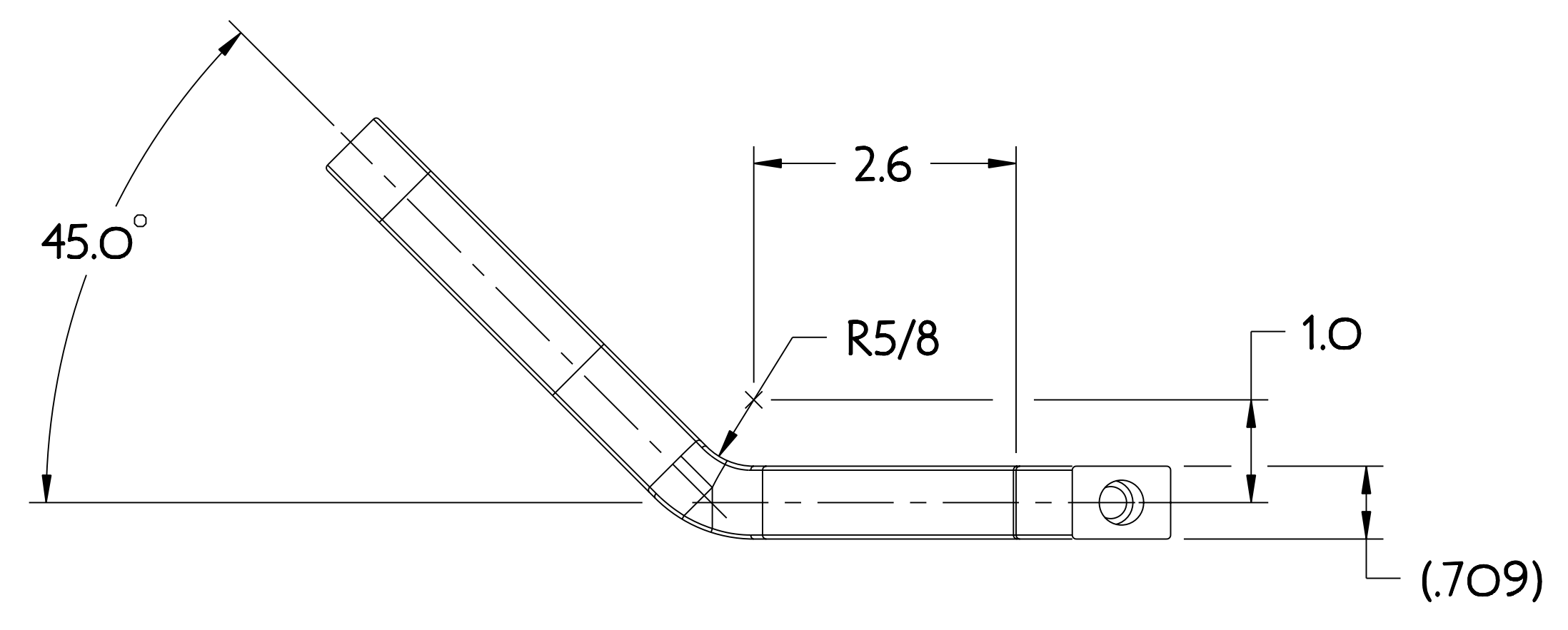
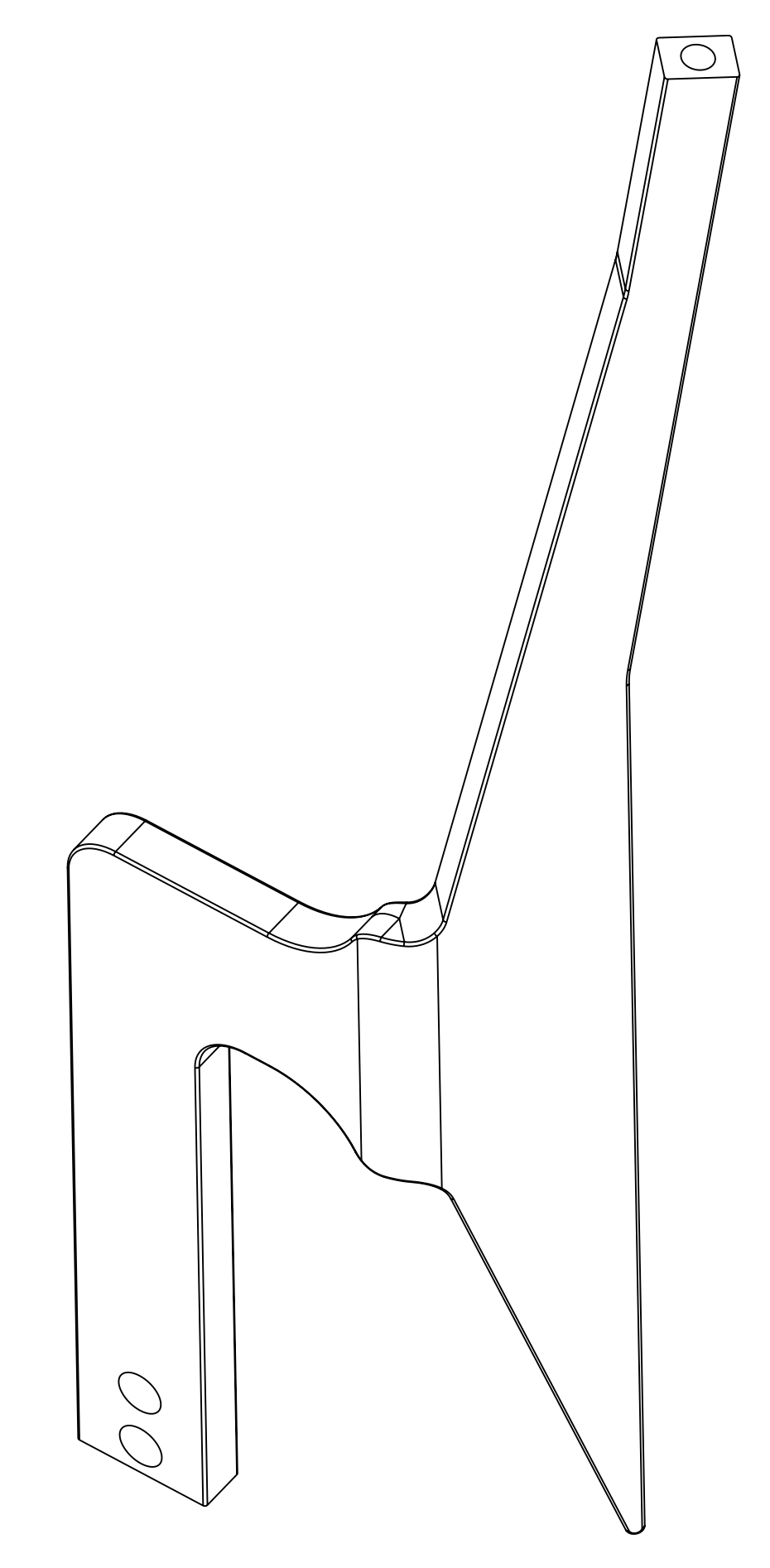
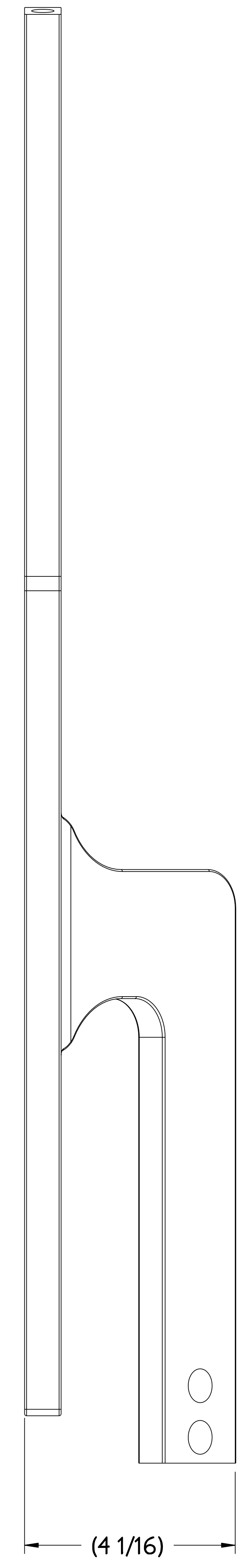


NO.	REVISION	BY	CH	SUP	APPROVED	DATE
1	REVISED PER ECN # 5103	JDR	MK	JS	M. KALISH	04/07/06



VOID



NOTE

1. BEND PART #SE131-088 AS SHOWN.

**RELEASED FOR
FABRICATION / INSTALLATION**
PPPL Drafting:

RELEASE LEVEL: Fabrication
DWG VERSION NO:

WEIGHT	16.6 lbs
MODEL NAME	SE131-057
WELDING ENGINEER	

PART NO.	DRAWING NO	NOMENCLATURE OR DESCRIPTION	MATERIAL	QTY RECD
1	SE131-057	TF COIL LEAD LONG BENT LEFT	COPPER C-107	9
PARTS LIST				
COMPUTER GENERATED DRAWING MANUAL CHANGES NOT PERMITTED		CENTRAL FILES: UNLESS OTHERWISE SPECIFIED		
DO NOT VERIFY INFORMATION BY SCALING DRAWING		PRINCETON PLASMA PHYSICS LABORATORY NATIONAL COMPACT STELLARATOR EXPERIMENT		
SCALE 0.750		STELLARATOR CORE CONVENTIONAL COILS TF COIL LEAD LONG BENT LEFT		
NEXT ASSEMBLY		TOLERANCES NON-CUMULATIVE		
		DECIMAL-INCH FRACTIONS		
		.XX +/- .030 0°-12° +/- .124		
		.XXX +/- .005 12°-120° +/- .124		
		ANGULAR +/- .0°-15° OVER 120° +/- .124		
		DSN: J. RUSHINSKI 2/01/06 DRAWING NO:		
		CHK: M. KALISH 2/01/06 SE131-057		
		ENGR: M. KALISH 2/01/06		
		SUPV: J. SIEGEL 2/01/06 SHEET 1 OF 1 REV 1		

NCSX-SE131-057