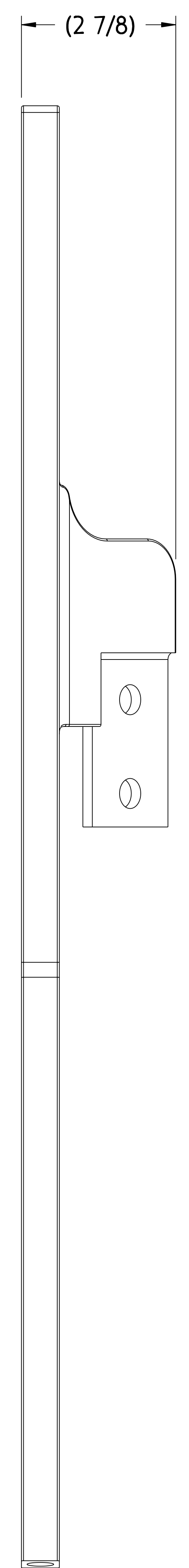
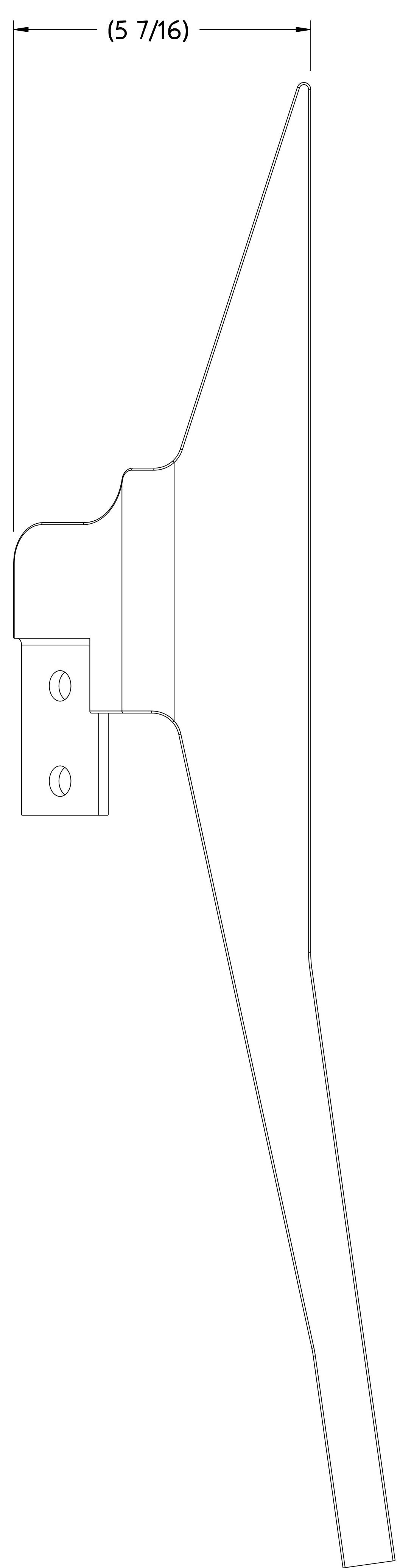
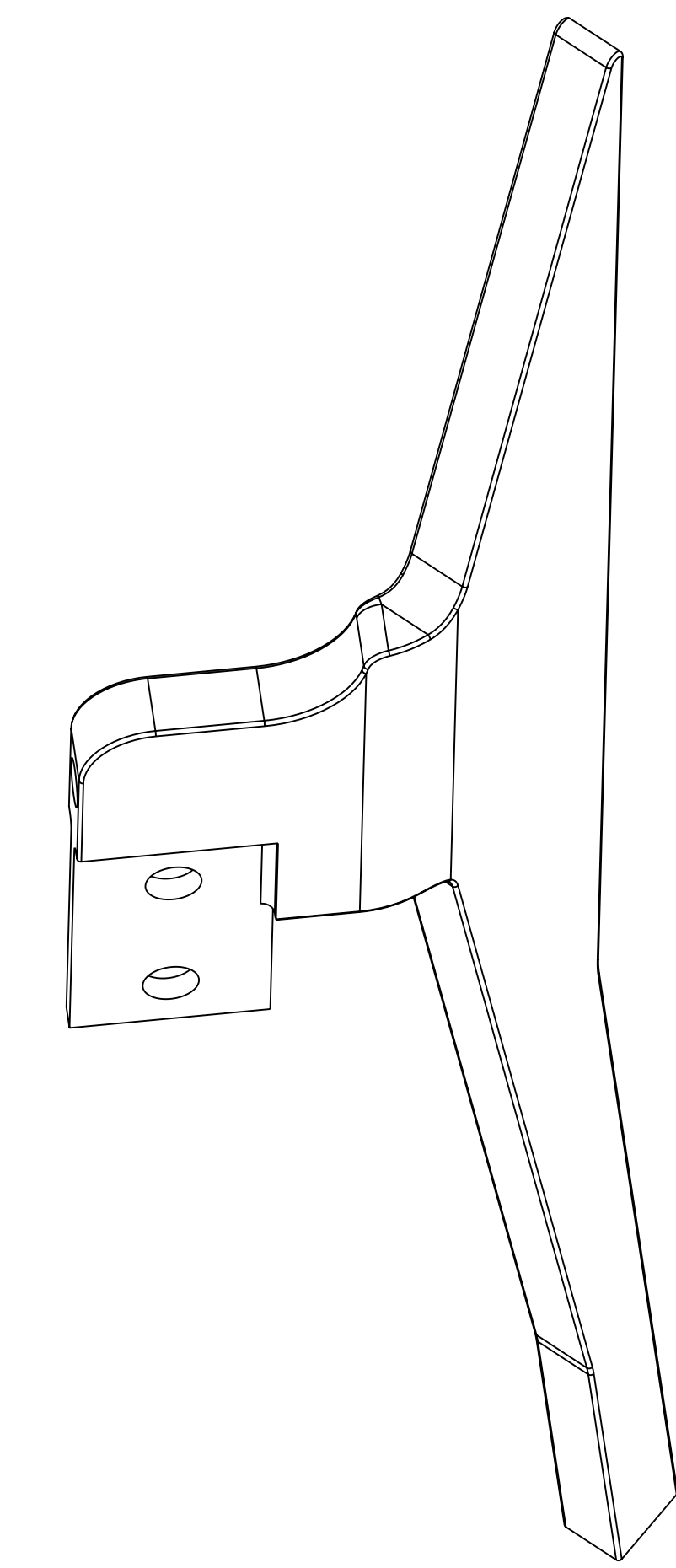
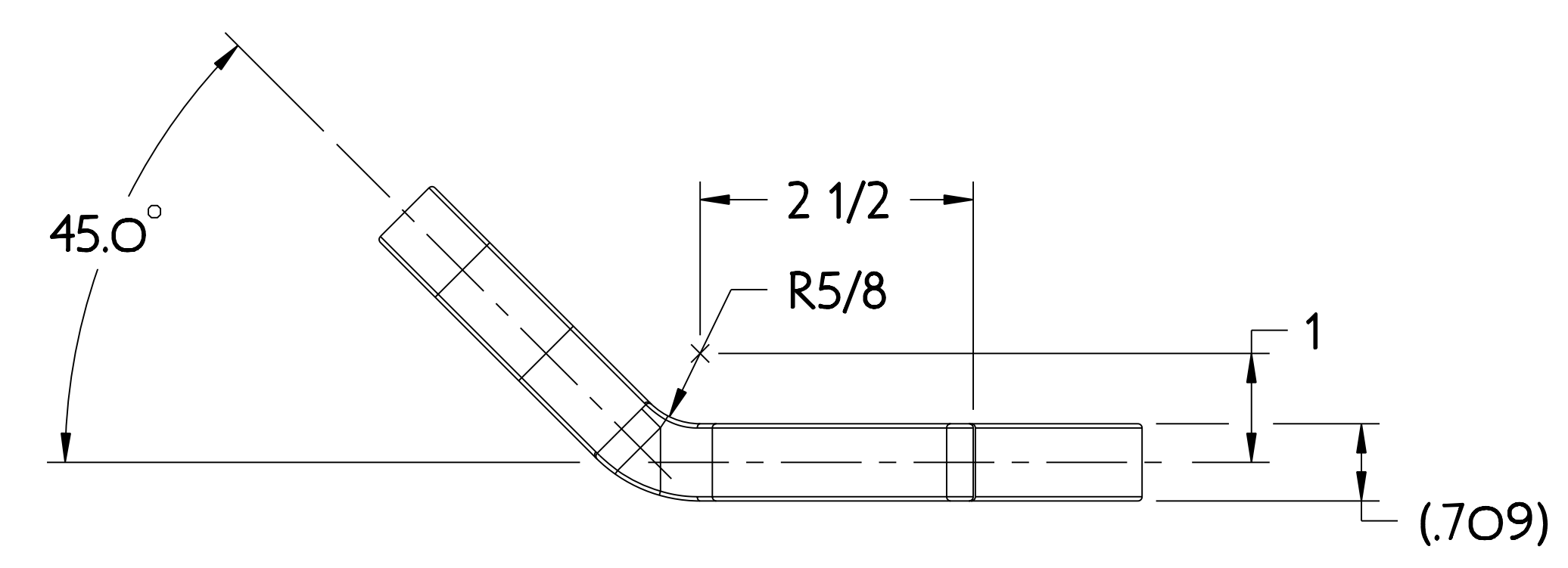


NO.	REVISION	BY	CH	SUP	APPROVED	DATE
1	REVISED PER ECN # 5103	JDR	MK	JS	M. KALISH	04/07/06



VOID

NOTE

BEND PART #SE131-089 AS SHOWN.

**RELEASED FOR
FABRICATION / INSTALLATION**

PPPL Drafting:

PART NO.	DRAWING NO	NOMENCLATURE OR DESCRIPTION	MATERIAL	QTY RECD
1	SE131-058	TF COIL LEAD SHORT BENT LEFT	COPPER C-107	9
PARTS LIST				
COMPUTER GENERATED DRAWING MANUAL CHANGES NOT PERMITTED		CENTRAL FILES: UNLESS OTHERWISE SPECIFIED	PRINCETON PLASMA PHYSICS LABORATORY PRINCETON UNIVERSITY	
DO NOT VERIFY INFORMATION BY SCALING DRAWING		DIMENSIONS ARE IN INCHES MACHINE SURFACES UNLESS OTHERWISE SPECIFIED	NATIONAL COMPACT STELLARATOR EXPERIMENT	
SCALE 0.750		TOLERANCES NON-CUMULATIVE	STELLARATOR CORE CONVENTIONAL COILS	
NEXT ASSEMBLY		DECIMAL-INCH FRACTIONS	TF COIL LEAD SHORT BENT - LEFT	
WEIGHT 12.0 lbs		DSN: J. RUSHINSKI 2/01/06	DRAWING NO:	
MODEL NAME SE131-058		CHK: M. KALISH 2/01/06	SE131-058	
RELEASE LEVEL: Fabrication DWG VERSION NO:		ENGR: M. KALISH 2/01/06	SHEET 1 OF 1 REV 1	
WELDING ENGINEER		SUPV: J. SIEGEL 2/01/06	NCSX-PART-FORMAT.E	

NCSX-SE131-058