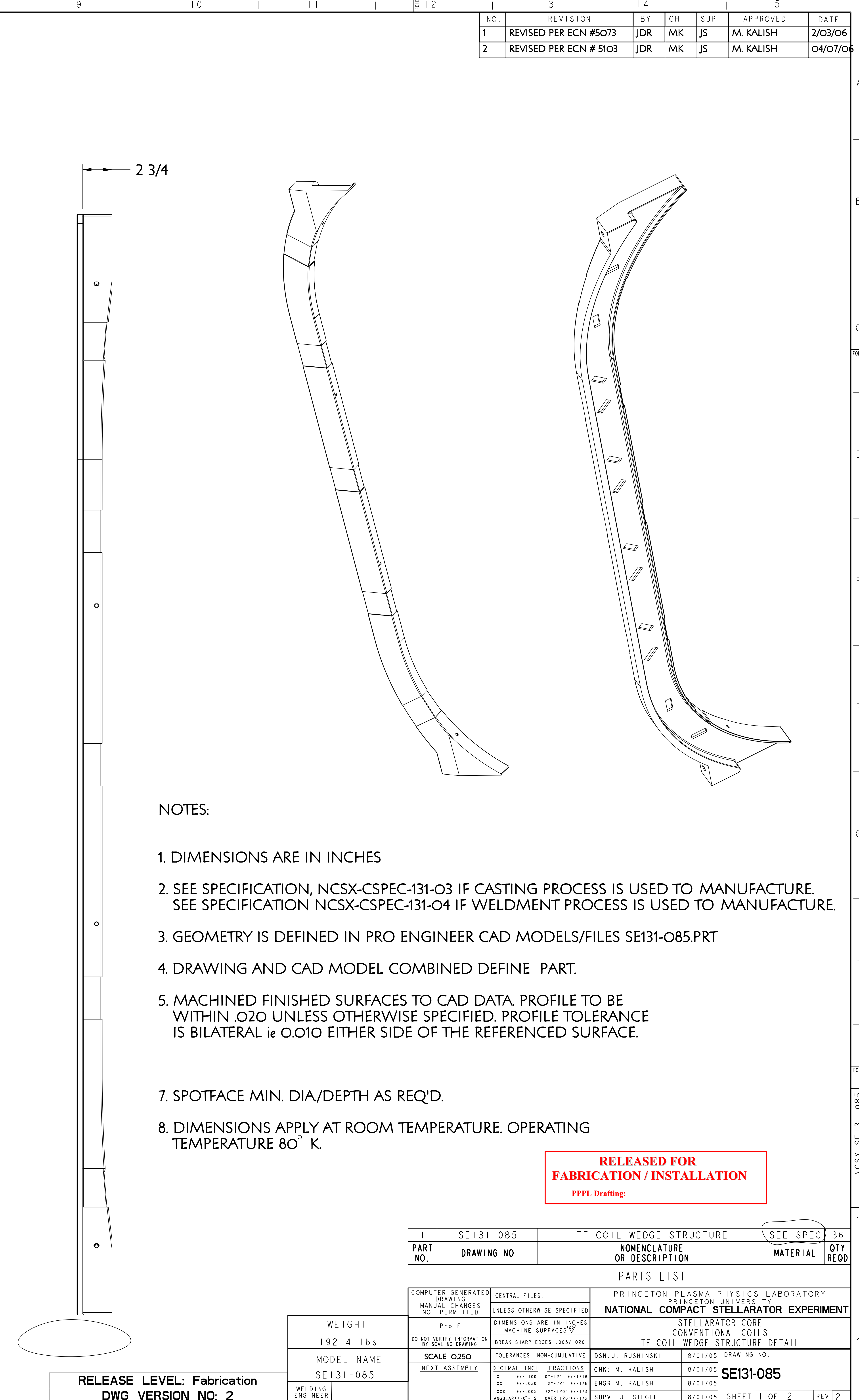
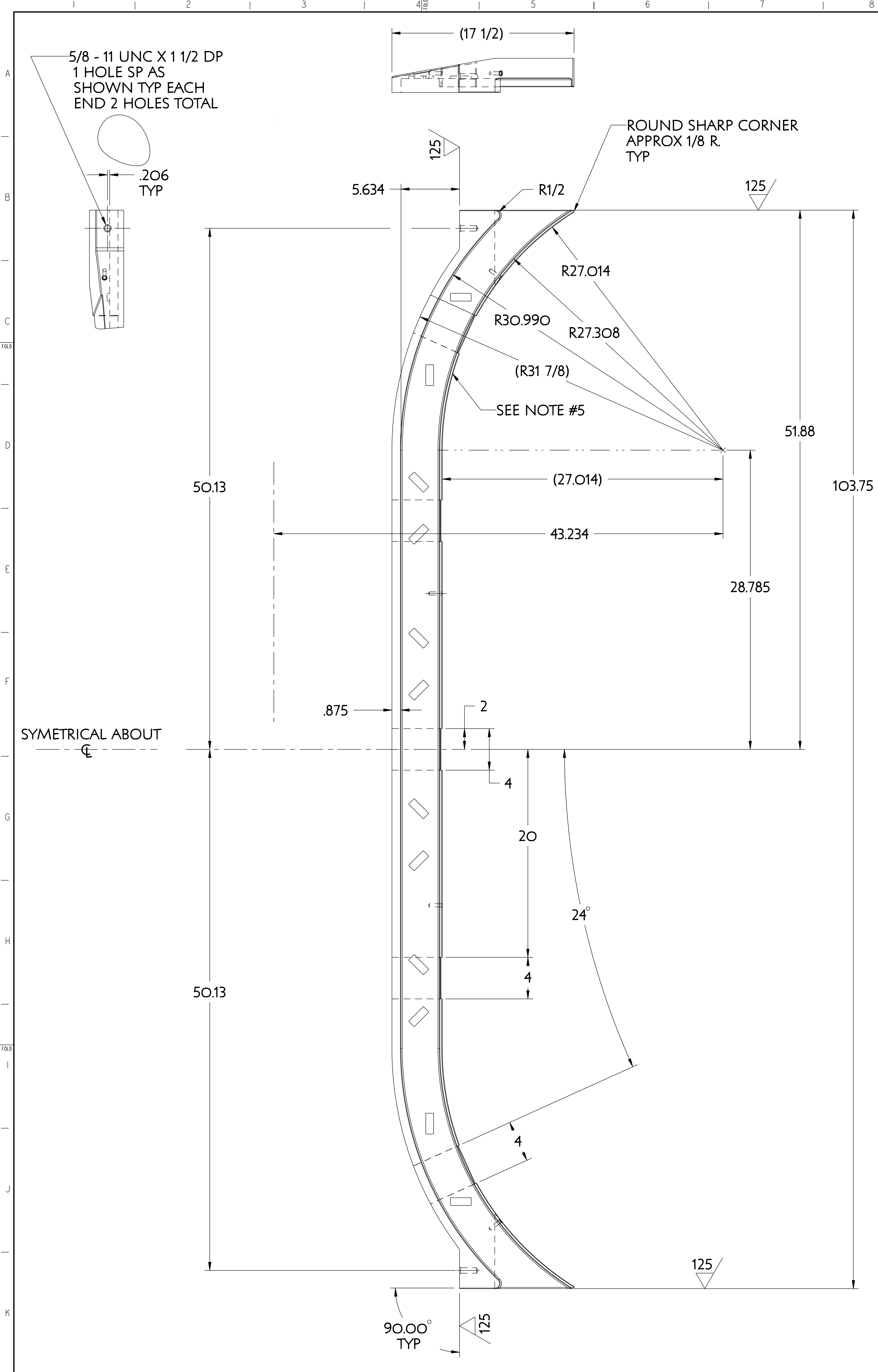


NO.	REVISION	BY	CH	SUP	APPROVED	DATE
1	REVISED PER ECN #5073	JDR	MK	JS	M. KALISH	2/03/06
2	REVISED PER ECN # 5103	JDR	MK	JS	M. KALISH	04/07/06



NOTES:

1. DIMENSIONS ARE IN INCHES
2. SEE SPECIFICATION, NCSX-CSPEC-131-03 IF CASTING PROCESS IS USED TO MANUFACTURE. SEE SPECIFICATION NCSX-CSPEC-131-04 IF WELDMENT PROCESS IS USED TO MANUFACTURE.
3. GEOMETRY IS DEFINED IN PRO ENGINEER CAD MODELS/FILES SE131-085.PRT
4. DRAWING AND CAD MODEL COMBINED DEFINE PART.
5. MACHINED FINISHED SURFACES TO CAD DATA. PROFILE TO BE WITHIN .020 UNLESS OTHERWISE SPECIFIED. PROFILE TOLERANCE IS BILATERAL ie 0.010 EITHER SIDE OF THE REFERENCED SURFACE.
7. SPOTFACE MIN. DIA/DEPTH AS REQ'D.
8. DIMENSIONS APPLY AT ROOM TEMPERATURE. OPERATING TEMPERATURE 80° K.

**RELEASED FOR FABRICATION / INSTALLATION**  
 PPPL Drafting:

**RELEASE LEVEL: Fabrication**  
**DWG VERSION NO: 2**

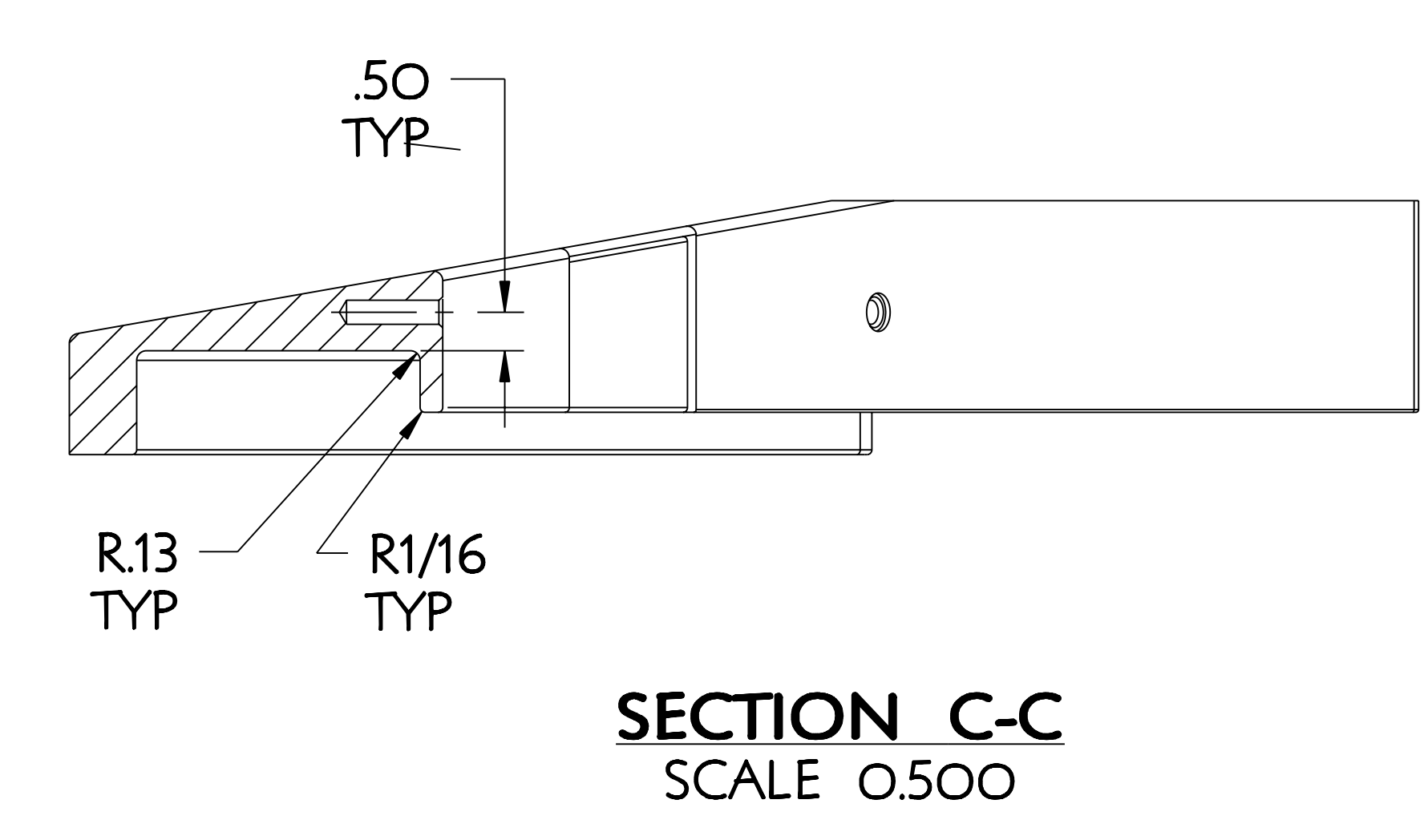
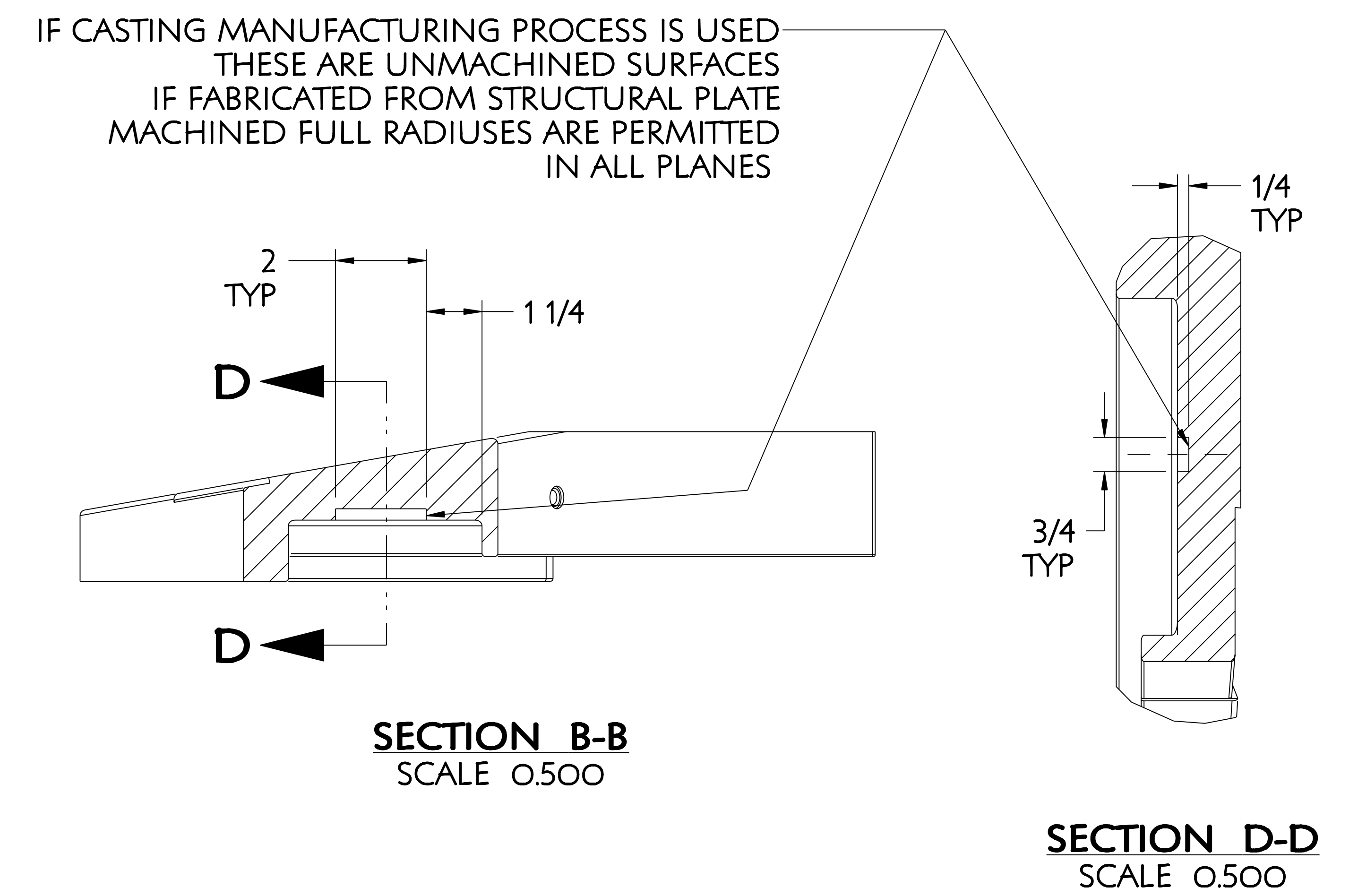
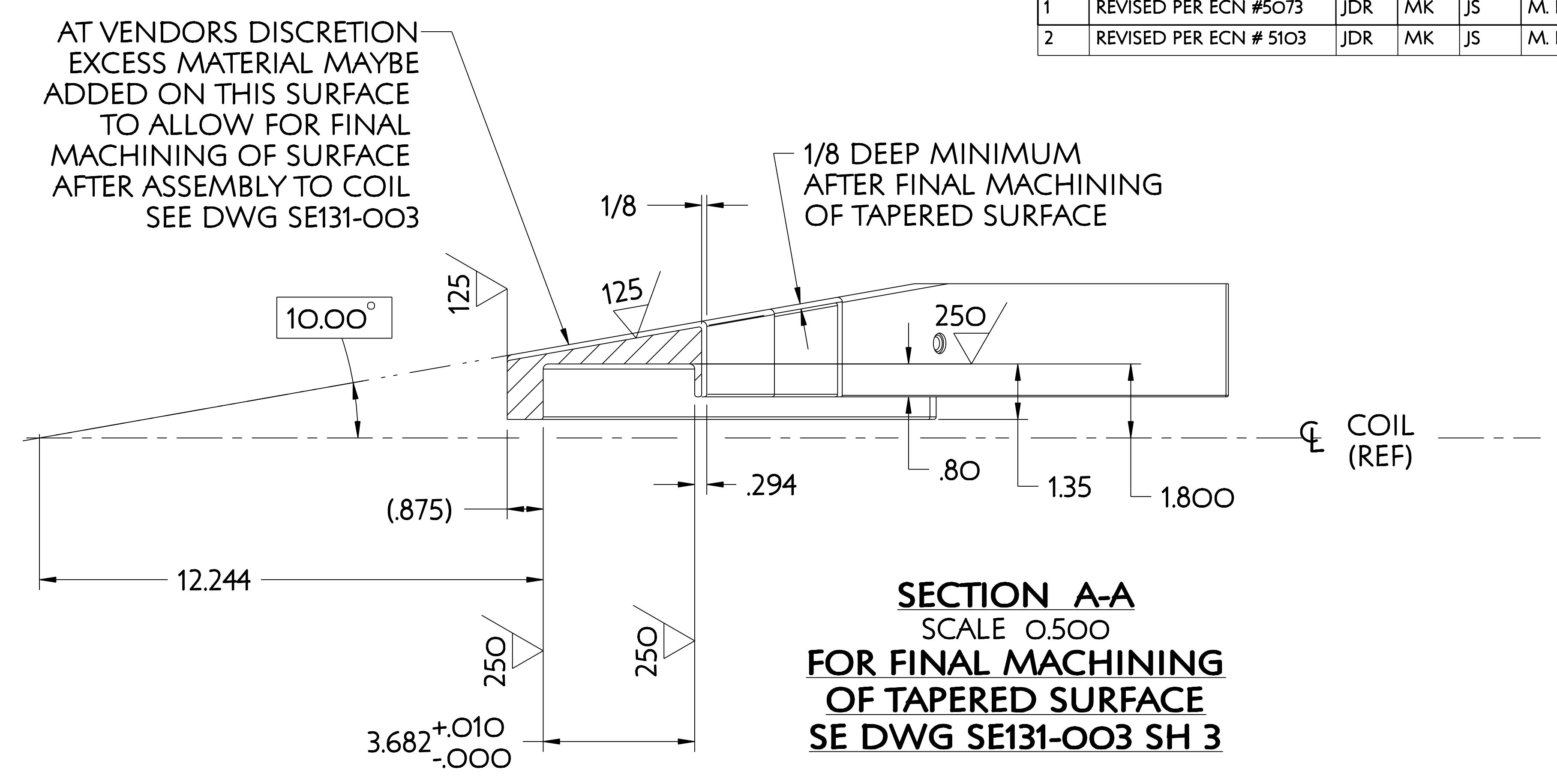
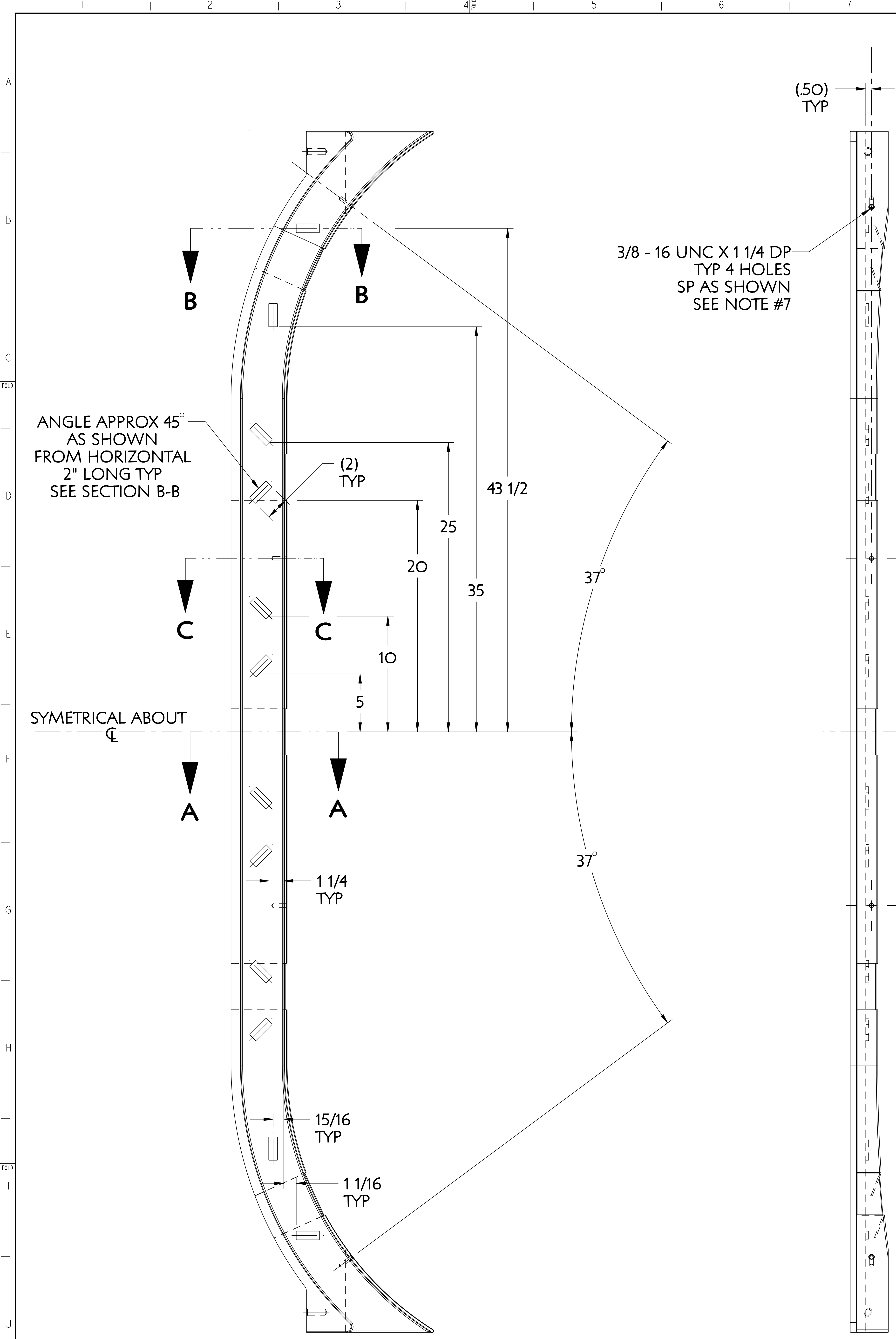
WEIGHT	192.4 lbs
MODEL NAME	SE131-085
WELDING ENGINEER	

PART NO.	DRAWING NO	NOMENCLATURE OR DESCRIPTION	MATERIAL	QTY RECD
1	SE131-085	TF COIL WEDGE STRUCTURE	SEE SPEC	36
PARTS LIST				
PRINCETON PLASMA PHYSICS LABORATORY NATIONAL COMPACT STELLARATOR EXPERIMENT				
STELLARATOR CORE CONVENTIONAL COILS TF COIL WEDGE STRUCTURE DETAIL				
SCALE 0.250		TOLERANCES NON-CUMULATIVE	DSN: J. RUSHINSKI	8/01/05
NEXT ASSEMBLY		DECIMAL-INCH FRACTIONS	CHK: M. KALISH	8/01/05
		.XX +/- .000	ENGR: M. KALISH	8/01/05
		.XXX +/- .005	SUPV: J. SIEGEL	8/01/05
		ANGULAR +/- .015		
			DRAWING NO:	SE131-085
			SHEET 1 OF 2	REV 2

NCSX-SE131-085



NO.	REVISION	BY	CH	SUP	APPROVED	DATE
1	REVISED PER ECN #5073	JDR	MK	JS	M. KALISH	2/03/06
2	REVISED PER ECN # 5103	JDR	MK	JS	M. KALISH	04/07/06



**RELEASED FOR FABRICATION / INSTALLATION**  
PPPL Drafting:

RELEASE LEVEL: Fabrication  
DWG VERSION NO: 2

WEIGHT  
192.4 lbs

MODEL NAME  
SE131-085

WELDING ENGINEER

PART NO.	DRAWING NO	NOMENCLATURE OR DESCRIPTION	MATERIAL	QTY	REOD
PARTS LIST					
COMPUTER GENERATED DRAWING DRAWING MANUAL CHANGES NOT PERMITTED		PRINCETON PLASMA PHYSICS LABORATORY PRINCETON UNIVERSITY NATIONAL COMPACT STELLARATOR EXPERIMENT			
DO NOT VERIFY INFORMATION BY SCALING DRAWING		STELLARATOR CORE CONVENTIONAL COILS TF COIL WEDGE STRUCTURE DETAIL			
SCALE 0.250		TOLERANCES NON-CUMULATIVE		DSN: J. RUSHINSKI 8/01/05 DRAWING NO:	
NEXT ASSEMBLY		DECIMAL-INCH FRACTIONS		CHK: M. KALISH 8/01/05	
		.XX +/- .030		ENGR: M. KALISH 8/01/05	
		.XXX +/- .005		SUPV: J. SIEGEL 8/01/05 SHEET 2 OF 2 REV 2	
		ANGULAR +/- .015		OVER: 120° +/- .172	

NCSX-SE131-085