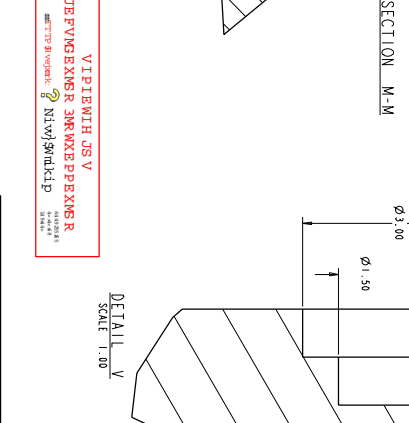
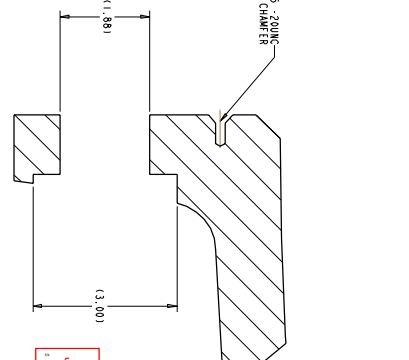
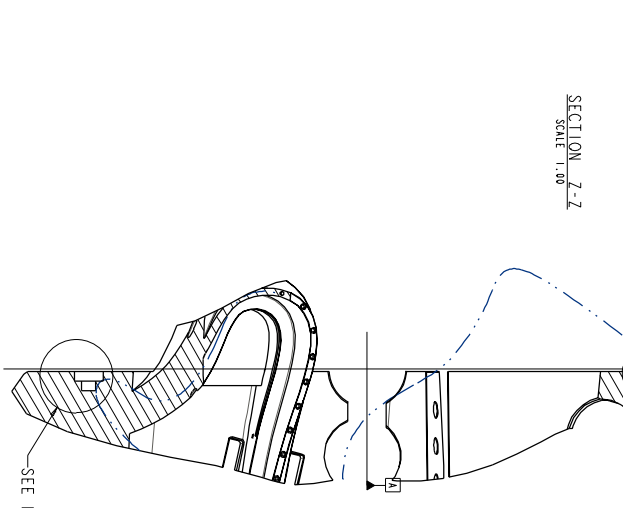
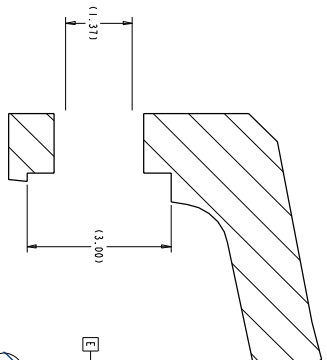
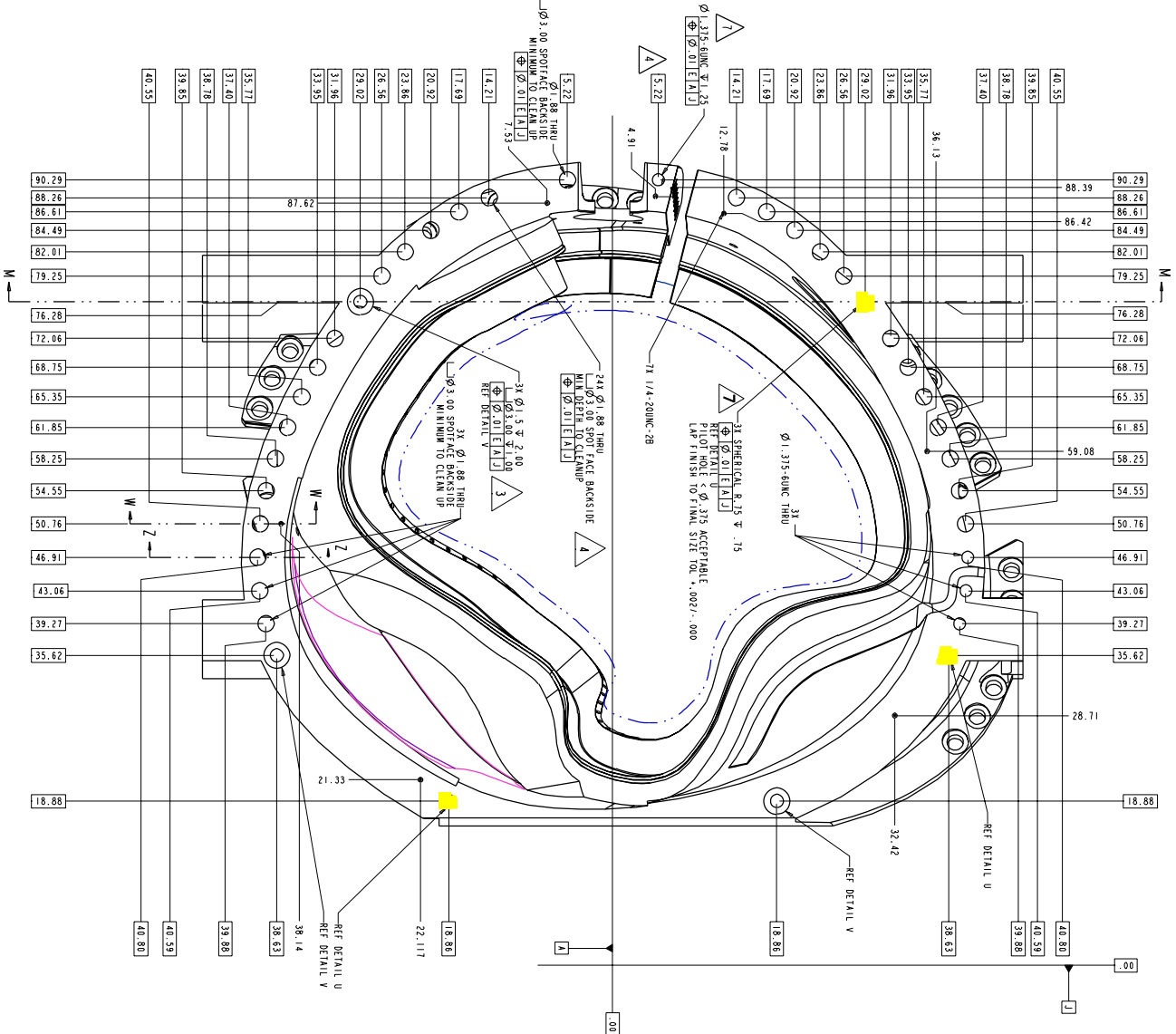


**VIPERWIND JSV**  
**JEPVNG EXNS R 3WR WXE PPEXNS R**  
 NATIONAL COMPACT STEELMATION EXPERIMENT

DESIGN NO.	REV.	DATE	BY	CHKD.	APP'D.	DATE
111111	1	11/11/66	...	...	...	...
NATIONAL COMPACT STEELMATION EXPERIMENT PRODUCTION WINDING FORM TYPE-C 111111-1116						



<p>ON A RISK OF NATIONAL DEFICIENCY                  NATIONAL COMPACT STEELMATION EXPERIMENT                  PRODUCTION WINDING FORM TYPE-C                  FABRICATED IN</p>		<p>DATE: 11/16/11                  DRAWING NO.: K-10                  REV: 5                  SHEET: 11                  TOTAL SHEETS: 16</p>
<p>FOR NOTES AND PARTS LIST SEE SHEET I</p>		<p>SCALE: 1.00</p>