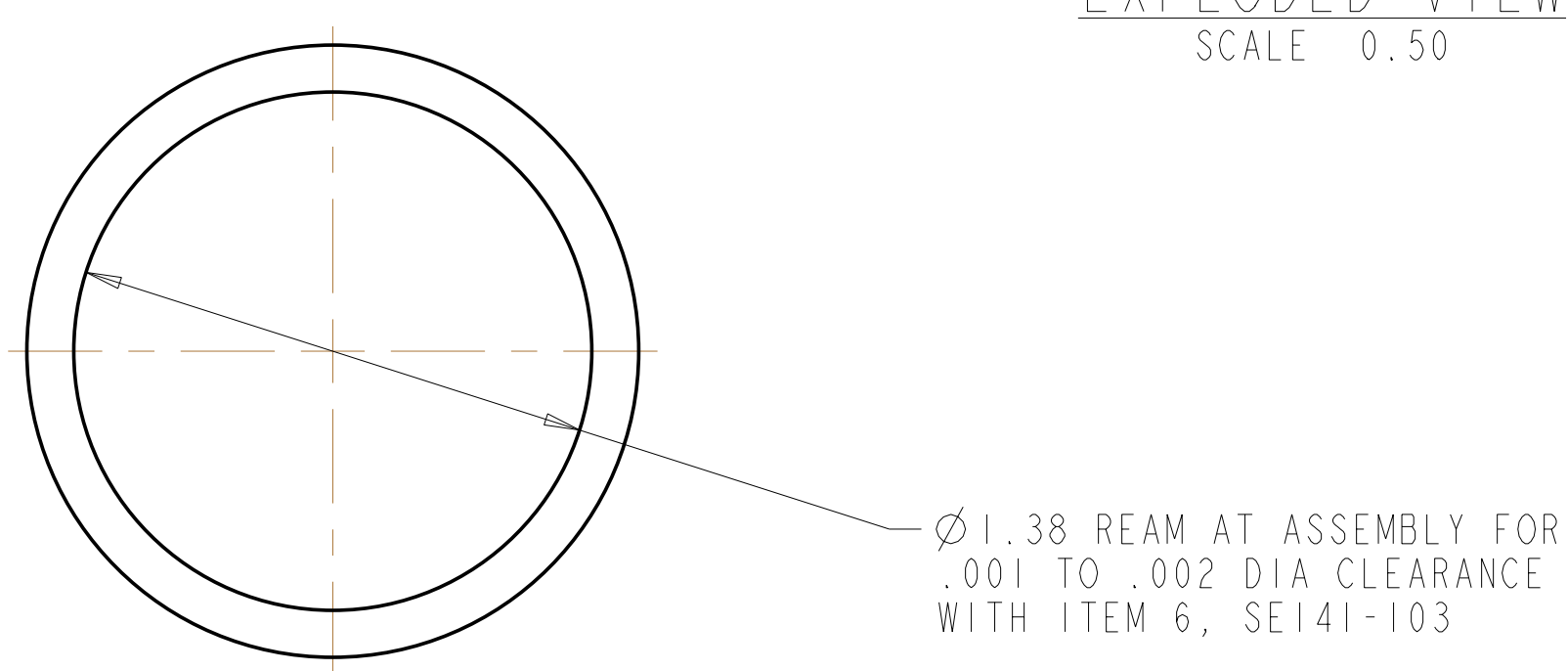
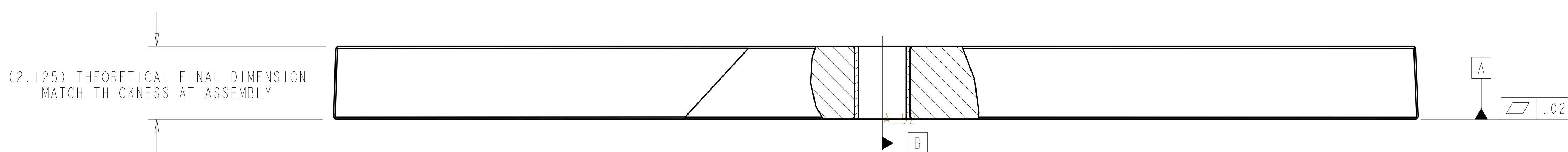
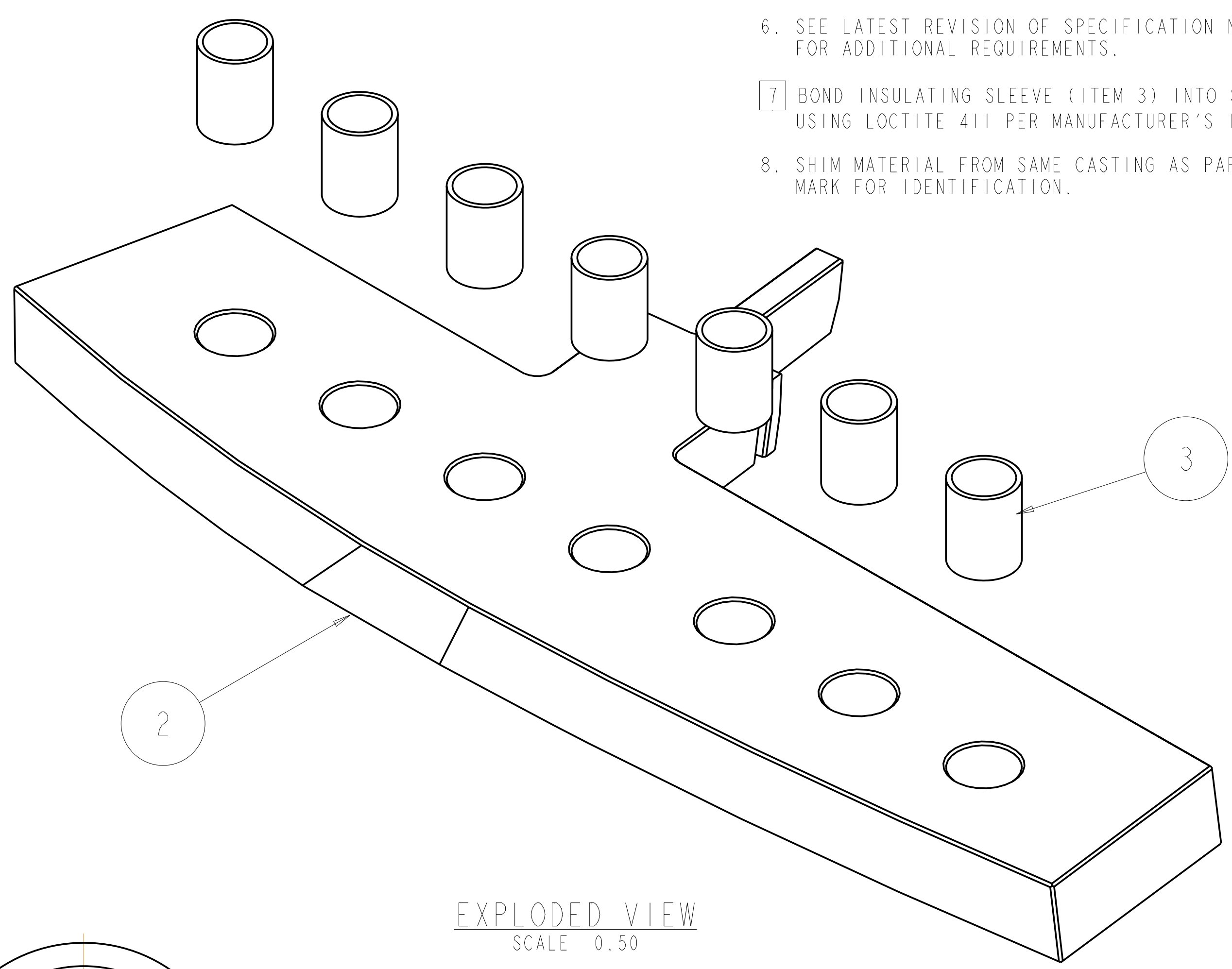
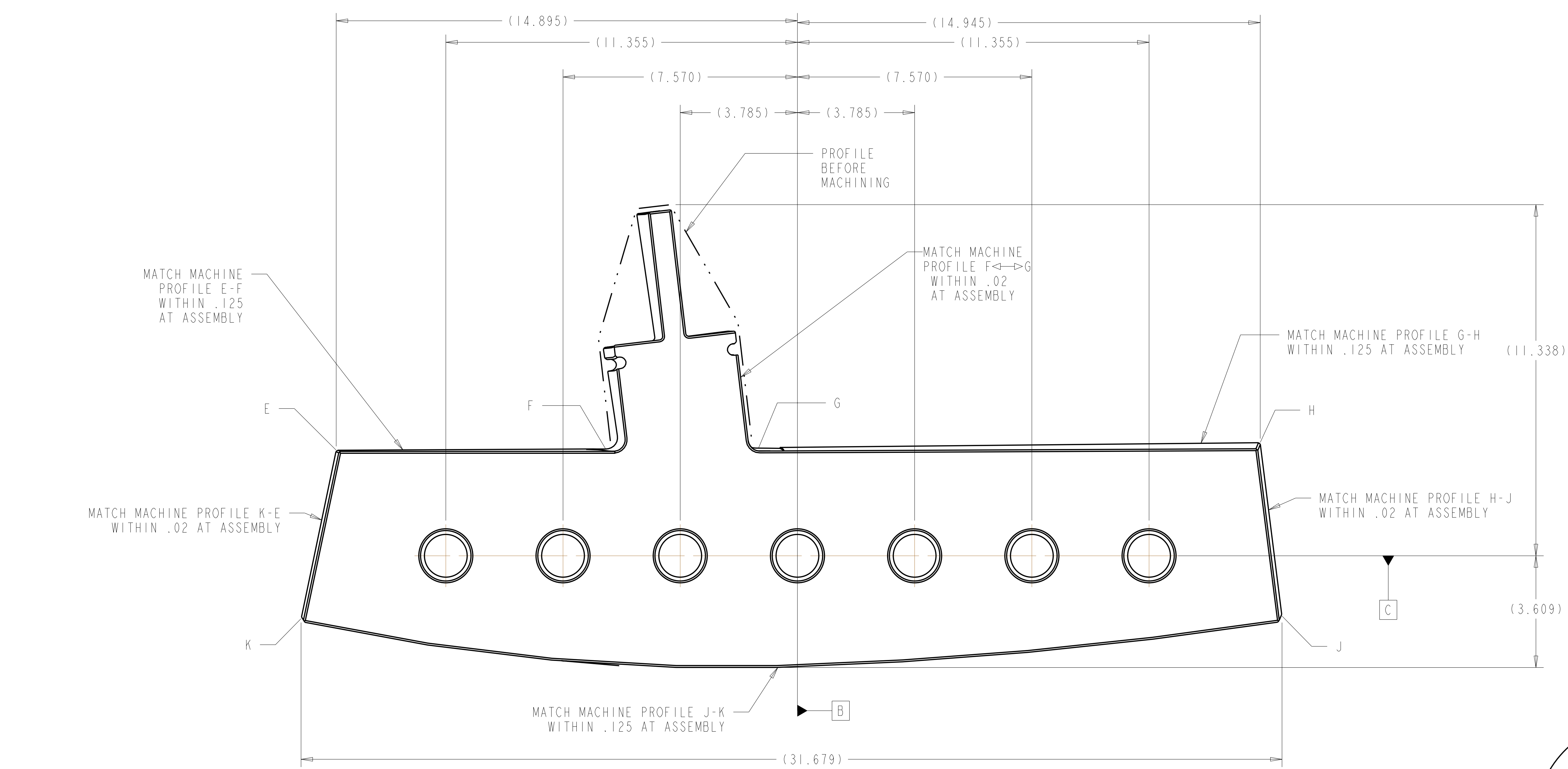
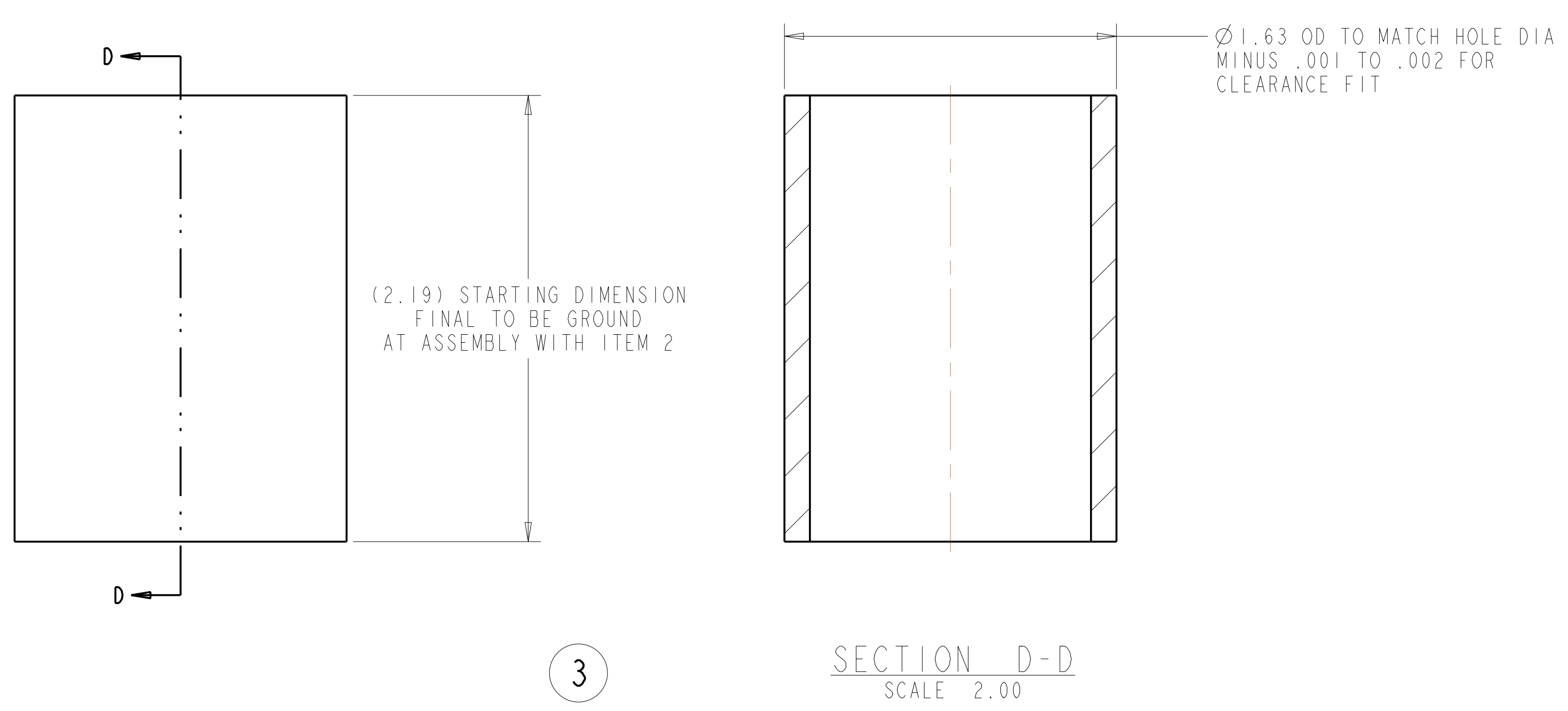
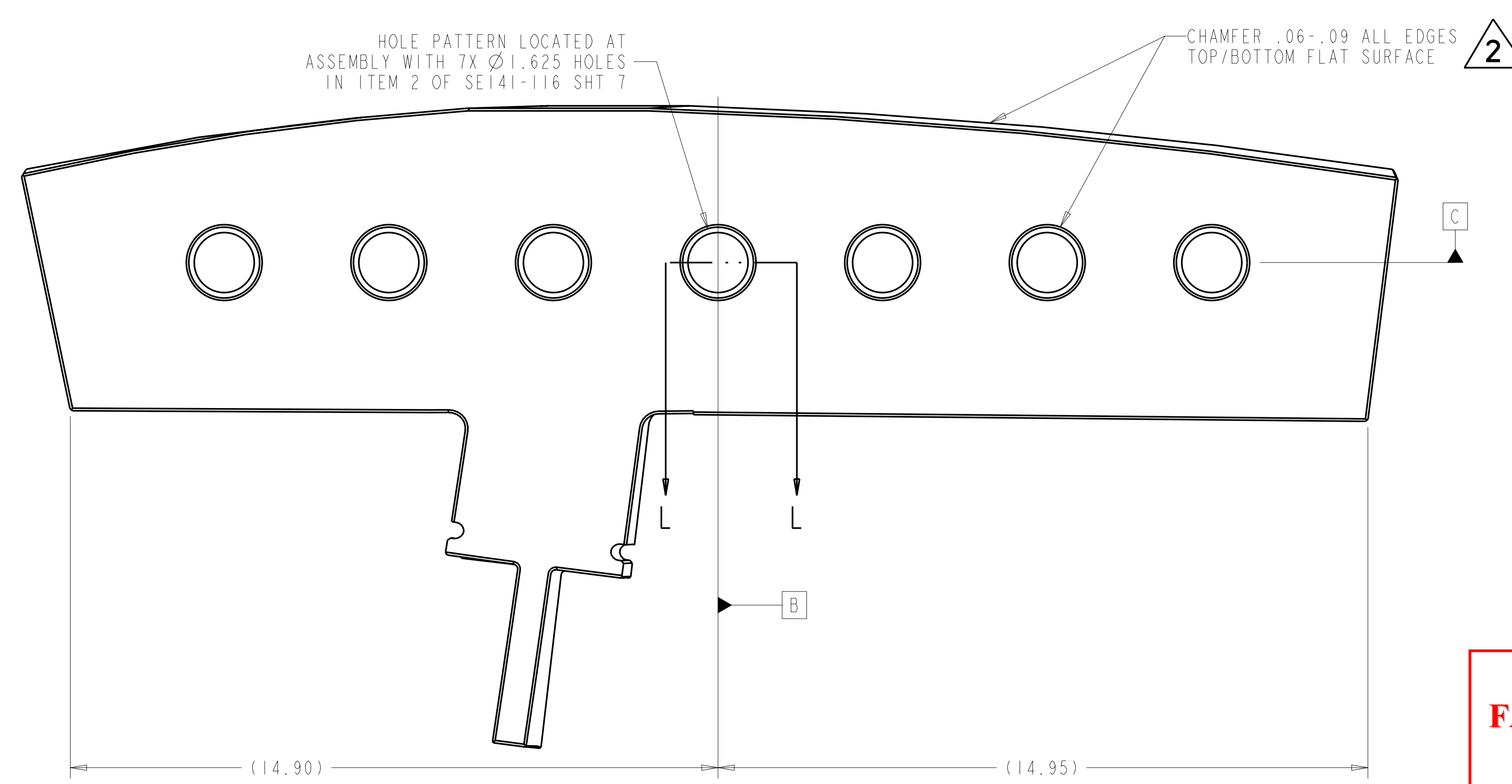


- NOTES:
1. INTERPRET DIMENSIONS AND TOLERANCES PER ANSI Y14.5M.
 2. DIMENSIONS ARE IN INCHES.
 3. DIMENSIONS APPLY AT TEMPERATURE OF 20-30°C (68-86°F).
 4. DRAWING DEPICTS FINAL MACHINED STATE OF ASSEMBLY DEFINED BY PRO/ENGINEER FILE SE141-078.ASM.
 5. APPROXIMATE WEIGHT = 129 LBS.
 6. SEE LATEST REVISION OF SPECIFICATION NCSX-CSPEC-141-03 FOR ADDITIONAL REQUIREMENTS.
 - 7 BOND INSULATING SLEEVE (ITEM 3) INTO SHIM (ITEM 2) USING LOCTITE 411 PER MANUFACTURER'S INSTRUCTIONS.
 8. SHIM MATERIAL FROM SAME CASTING AS PART SE141-116. MARK FOR IDENTIFICATION.



Rev 2-a: RFD 14-019 added lifting holes – See RFD-14-019 for details. Applicable to C6 and all Type A and B Castings



RELEASED FOR FABRICATION / INSTALLATION
 PPPL Drafting:

REV	DESCRIPTION	BY	DATE	CHK	DEPT	PE	REG	DATE	ORNL	DOE	DATE
2	ADD EDGE CHAMFER PER ECN-5026	GLL	10-05	MJC		DEW					
1	REVISED "T" PROFILE PER ECN-4903	GLL	8/04	MJC		DEW					

REV	DESCRIPTION	BY	DATE	CHK	DEPT	PE	REG	DATE	ORNL	DOE	DATE
2	ADD EDGE CHAMFER PER ECN-5026	GLL	10-05	MJC		DEW					
1	REVISED "T" PROFILE PER ECN-4903	GLL	8/04	MJC		DEW					

REV	DESCRIPTION	BY	DATE	CHK	DEPT	PE	REG	DATE	ORNL	DOE	DATE
2	ADD EDGE CHAMFER PER ECN-5026	GLL	10-05	MJC		DEW					
1	REVISED "T" PROFILE PER ECN-4903	GLL	8/04	MJC		DEW					

REV	DESCRIPTION	BY	DATE	CHK	DEPT	PE	REG	DATE	ORNL	DOE	DATE
2	ADD EDGE CHAMFER PER ECN-5026	GLL	10-05	MJC		DEW					
1	REVISED "T" PROFILE PER ECN-4903	GLL	8/04	MJC		DEW					

REV	DESCRIPTION	BY	DATE	CHK	DEPT	PE	REG	DATE	ORNL	DOE	DATE
2	ADD EDGE CHAMFER PER ECN-5026	GLL	10-05	MJC		DEW					
1	REVISED "T" PROFILE PER ECN-4903	GLL	8/04	MJC		DEW					

REV	DESCRIPTION	BY	DATE	CHK	DEPT	PE	REG	DATE	ORNL	DOE	DATE
2	ADD EDGE CHAMFER PER ECN-5026	GLL	10-05	MJC		DEW					
1	REVISED "T" PROFILE PER ECN-4903	GLL	8/04	MJC		DEW					

REV	DESCRIPTION	BY	DATE	CHK	DEPT	PE	REG	DATE	ORNL	DOE	DATE
2	ADD EDGE CHAMFER PER ECN-5026	GLL	10-05	MJC		DEW					
1	REVISED "T" PROFILE PER ECN-4903	GLL	8/04	MJC		DEW					

REV	DESCRIPTION	BY	DATE	CHK	DEPT	PE	REG	DATE	ORNL	DOE	DATE
2	ADD EDGE CHAMFER PER ECN-5026	GLL	10-05	MJC		DEW					
1	REVISED "T" PROFILE PER ECN-4903	GLL	8/04	MJC		DEW					

REV	DESCRIPTION	BY	DATE	CHK	DEPT	PE	REG	DATE	ORNL	DOE	DATE
2	ADD EDGE CHAMFER PER ECN-5026	GLL	10-05	MJC		DEW					
1	REVISED "T" PROFILE PER ECN-4903	GLL	8/04	MJC		DEW					

REV	DESCRIPTION	BY	DATE	CHK	DEPT	PE	REG	DATE	ORNL	DOE	DATE
2	ADD EDGE CHAMFER PER ECN-5026	GLL	10-05	MJC		DEW					
1	REVISED "T" PROFILE PER ECN-4903	GLL	8/04	MJC		DEW					

REV	DESCRIPTION	BY	DATE	CHK	DEPT	PE	REG	DATE	ORNL	DOE	DATE
2	ADD EDGE CHAMFER PER ECN-5026	GLL	10-05	MJC		DEW					
1	REVISED "T" PROFILE PER ECN-4903	GLL	8/04	MJC		DEW					

REV	DESCRIPTION	BY	DATE	CHK	DEPT	PE	REG	DATE	ORNL	DOE	DATE
2	ADD EDGE CHAMFER PER ECN-5026	GLL	10-05	MJC		DEW					
1	REVISED "T" PROFILE PER ECN-4903	GLL	8/04	MJC		DEW					

REV	DESCRIPTION	BY	DATE	CHK	DEPT	PE	REG	DATE	ORNL	DOE	DATE
2	ADD EDGE CHAMFER PER ECN-5026	GLL	10-05	MJC		DEW					
1	REVISED "T" PROFILE PER ECN-4903	GLL	8/04	MJC		DEW					

REV	DESCRIPTION	BY	DATE	CHK	DEPT	PE	REG	DATE	ORNL	DOE	DATE
2	ADD EDGE CHAMFER PER ECN-5026	GLL	10-05	MJC		DEW					
1	REVISED "T" PROFILE PER ECN-4903	GLL	8/04	MJC		DEW					

REV	DESCRIPTION	BY	DATE	CHK	DEPT	PE	REG	DATE	ORNL	DOE	DATE
2	ADD EDGE CHAMFER PER ECN-5026	GLL	10-05	MJC		DEW					
1	REVISED "T" PROFILE PER ECN-4903	GLL	8/04	MJC		DEW					

REV	DESCRIPTION	BY	DATE	CHK	DEPT	PE	REG	DATE	ORNL	DOE	DATE
2	ADD EDGE CHAMFER PER ECN-5026	GLL	10-05	MJC		DEW					
1	REVISED "T" PROFILE PER ECN-4903	GLL	8/04	MJC		DEW					

REV	DESCRIPTION	BY	DATE	CHK	DEPT	PE	REG	DATE	ORNL	DOE	DATE
2	ADD EDGE CHAMFER PER ECN-5026	GLL	10-05	MJC		DEW					
1	REVISED "T" PROFILE PER ECN-4903	GLL	8/04	MJC		DEW					

REV	DESCRIPTION	BY	DATE	CHK	DEPT	PE	REG	DATE	ORNL	DOE	DATE
2	ADD EDGE CHAMFER PER ECN-5026	GLL	10-05	MJC		DEW					
1	REVISED "T" PROFILE PER ECN-4903	GLL	8/04	MJC		DEW					

REV	DESCRIPTION	BY	DATE	CHK	DEPT	PE	REG	DATE	ORNL	DOE	DATE
2	ADD EDGE CHAMFER PER ECN-5026	GLL	10-05	MJC		DEW					
1	REVISED "T" PROFILE PER ECN-4903	GLL	8/04	MJC		DEW					

REV	DESCRIPTION	BY	DATE	CHK	DEPT	PE	REG	DATE	ORNL	DOE	DATE
2	ADD EDGE CHAMFER PER ECN-5026	GLL	10-05	MJC		DEW					
1	REVISED "T" PROFILE PER ECN-4903	GLL	8/04	MJC		DEW					

REV	DESCRIPTION	BY	DATE	CHK	DEPT	PE	REG	DATE	ORNL	DOE	DATE
2	ADD EDGE CHAMFER PER ECN-5026	GLL	10-05	MJC		DEW					
1	REVISED "T" PROFILE PER ECN-4903	GLL	8/04	MJC		DEW					

REV	DESCRIPTION	BY	DATE	CHK	DEPT	PE	REG	DATE	ORNL	DOE	DATE
2	ADD EDGE CHAMFER PER ECN-5026	GLL	10-05	MJC		DEW					
1	REVISED "T" PROFILE PER ECN-4903	GLL	8/04	MJC		DEW					

REV	DESCRIPTION	BY	DATE	CHK	DEPT	PE	REG	DATE	ORNL	DOE	DATE
2	ADD EDGE CHAMFER PER ECN-5026	GLL	10-05	MJC		DEW					
1	REVISED "T" PROFILE PER ECN-4903	GLL	8/04	MJC		DEW					

REV	DESCRIPTION	BY	DATE	CHK	DEPT	PE	REG	DATE	ORNL	DOE	DATE
2	ADD EDGE CHAMFER PER ECN-5026	GLL	10-05	MJC		DEW					
1	REVISED "T" PROFILE PER ECN-4903	GLL	8/04	MJC		DEW					

REV	DESCRIPTION	BY	DATE	CHK	DEPT	PE	REG	DATE	ORNL	DOE	DATE
2	ADD EDGE CHAMFER PER ECN-5026	GLL	10-05	MJC		DEW					
1	REVISED "T" PROFILE PER ECN-4903	GLL	8/04	MJC		DEW					

REV	DESCRIPTION	BY	DATE	CHK	DEPT	PE	REG	DATE	ORNL	DOE	DATE
2	ADD EDGE CHAMFER PER ECN-5026	GLL	10-05	MJC		DEW					
1	REVISED "T" PROFILE PER ECN-4903	GLL	8/04	MJC		DEW					

REV	DESCRIPTION	BY	DATE	CHK	DEPT	PE	REG	DATE	ORNL	DOE	DATE
2	ADD EDGE CHAMFER PER ECN-5026	GLL	10-05	MJC		DEW					
1	REVISED "T" PROFILE PER ECN-4903	GLL	8/04	MJC		DEW					

REV	DESCRIPTION	BY	DATE	CHK	DEPT	PE	REG	DATE	ORNL	DOE	DATE
2	ADD EDGE CHAMFER PER ECN-5026	GLL	10-05	MJC		DEW					
1	REVISED "T" PROFILE PER ECN-4903	GLL	8/04	MJC		DEW					

REV	DESCRIPTION	BY	DATE	CHK	DEPT	PE	REG	DATE	ORNL	DOE	DATE
2	ADD EDGE CHAMFER PER ECN-5026	GLL	10-05	MJC		DEW					
1	REVISED "T" PROFILE PER ECN-4903	GLL	8/04	MJC		DEW					

REV	DESCRIPTION	BY	DATE	CHK	DEPT	PE	REG	DATE	ORNL	DOE	DATE
2	ADD EDGE CHAMFER PER ECN-5026	GLL	10-05	MJC		DEW					
1	REVISED "T" PROFILE PER ECN-4903	GLL	8/04	MJC		DEW					

REV	DESCRIPTION	BY	DATE	CHK	DEPT	PE	REG	DATE	ORNL	DOE	DATE
2	ADD EDGE CHAMFER PER ECN-5026	GLL	10-05	MJC		DEW					
1	REVISED "T" PROFILE PER ECN-4903	GLL	8/04	MJC		DEW					

REV	DESCRIPTION	BY	DATE	CHK	DEPT	PE	REG	DATE	ORNL	DOE	DATE
2	ADD EDGE CHAMFER PER ECN-5026	GLL	10-05	MJC		DEW					
1	REVISED "T" PROFILE PER ECN-4903	GLL	8/04	MJC		DEW					

REV	DESCRIPTION	BY	DATE	CHK	DEPT	PE	REG	DATE	ORNL	DOE	DATE
2	ADD EDGE CHAMFER PER ECN-5026	GLL	10-05	MJC		DEW					
1	REVISED "T" PROFILE PER ECN-4903	GLL	8/04	MJC		DEW					

REV	DESCRIPTION	BY	DATE	CHK	DEPT	PE	REG	DATE	ORNL	DOE	DATE
2	ADD EDGE CHAMFER PER ECN-5026	GLL	10-05	MJC		DEW					
1	REVISED "T" PROFILE PER ECN-4903	GLL	8/04	MJC		DEW					

REV	DESCRIPTION	BY	DATE	CHK	DEPT	PE	REG	DATE	ORNL	DOE	DATE
2	ADD EDGE CHAMFER PER ECN-5026	GLL	10-05	MJC		DEW					
1	REVISED "T" PROFILE PER ECN-4903	GLL	8/04	MJC		DEW					

REV	DESCRIPTION	BY	DATE	CHK	DEPT	PE	REG	DATE	ORNL	DOE	DATE
2	ADD EDGE CHAMFER PER ECN-5026	GLL	10-05	MJC		DEW					
1	REVISED "T" PROFILE PER ECN-4903	GLL	8/04	MJC		DEW					