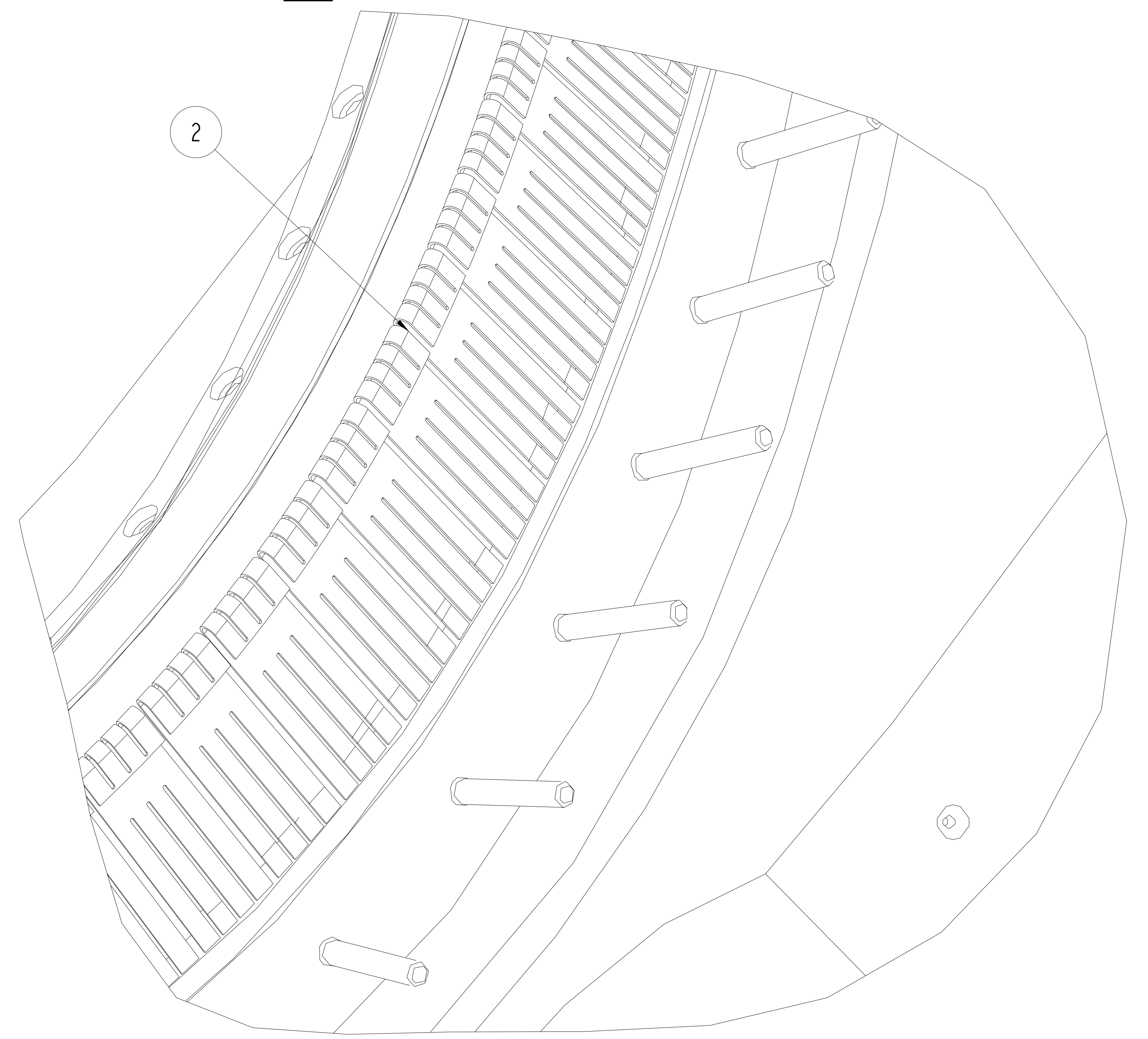
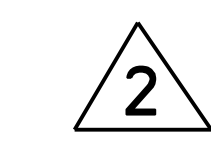


NOTES

1. DRAWING PREPARED IN ACCORDANCE WITH ASME Y14.100-2000.
2. INTERPRET DIMENSIONS AND TOLERANCES PER ANSI Y14.5M-1994.
3. DIMENSIONS ARE IN INCHES..
4. DRAWING DEPICTS FLAT PATTERN OF FORMED PARTS DEFINED BY PRO/ENGINEER FILES SEI42C-388-XXX.PRT.
5. PROFILE TOLERANCE OF FLAT PATTERN IS +/- .010 IN.
6. THICKNESS IS 0.040 +/- .006 IN. PER ASTM B248.
7. REMOVE ALL BURRS AND SHARP EDGES.
8. IDENTIFY ALL PARTS WITH "PART NAME" BY ETCHING OR PERMANENT MARKER.
9. PARTS INDICATED ARE TO BE NEMA GRADE GIICR MATERIAL.



SCALE 1.0

191	-2	CHILL PLATES	2
		TYPE "C" SIDE A LOWER CHILL PLATES	1
AR	X		
SEI42C-251			

CAGE CODE	PART OR IDENTIFYING NO	NOMENCLATURE OR DESCRIPTION	MATERIAL	SPECIFICATION	FIND NO
			COPPER, ANNEALED UNS C10100, 10200, 11000 ETP OR NEMA GRADE GIICR WHERE NOTED		2
PARTS LIST					

RELEASED FOR FABRICATION / INSTALLATION
PPPL Drafting:

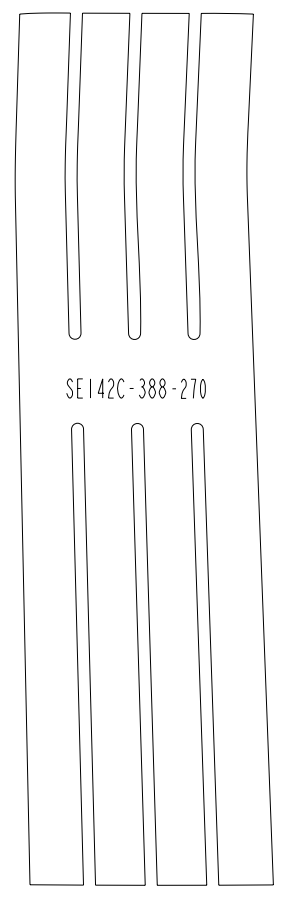
RFD-18-002 addresses resolution of B/C coil interferences, including guidelines for grinding. Additionally, NCR-3735 resolved B1/C1 interferences. PLEASE CHECK BOTH THIS RFD AND NCR-3735 FOR GUIDELINES IN RESOLVING ANY B/C COIL INTERFERNCES

INSTANCE NAME	HOLE	S-DIM	PART NAME	INSTANCE NAME	HOLE	S-DIM	PART NAME
SEI42C-388-FLAT-270		0.8854170	SEI42C-388-270	SEI42C-388-FLAT-174		0.3854170	SEI42C-388-174
SEI42C-388-FLAT-271	1	0.8906250	SEI42C-388-271	SEI42C-388-FLAT-175	49	0.3906250	SEI42C-388-175
SEI42C-388-FLAT-272		0.8958330	SEI42C-388-272	SEI42C-388-FLAT-176		0.3958330	SEI42C-388-176
SEI42C-388-FLAT-273	2	0.9010420	SEI42C-388-273	SEI42C-388-FLAT-177	50	0.4010420	SEI42C-388-177
SEI42C-388-FLAT-274		0.9062500	SEI42C-388-274	SEI42C-388-FLAT-178		0.4062500	SEI42C-388-178
SEI42C-388-FLAT-275	3	0.9114580	SEI42C-388-275	SEI42C-388-FLAT-179	51	0.4114580	SEI42C-388-179
SEI42C-388-FLAT-276		0.9166670	SEI42C-388-276	SEI42C-388-FLAT-180		0.4166670	SEI42C-388-180
SEI42C-388-FLAT-277	4	0.9218750	SEI42C-388-277	SEI42C-388-FLAT-181	52	0.4218750	SEI42C-388-181
SEI42C-388-FLAT-278		0.9270830	SEI42C-388-278	SEI42C-388-FLAT-182		0.4270830	SEI42C-388-182
SEI42C-388-FLAT-279	5	0.9322920	SEI42C-388-279	SEI42C-388-FLAT-183	53	0.4322920	SEI42C-388-183
SEI42C-388-FLAT-280		0.9375000	SEI42C-388-280	SEI42C-388-FLAT-184		0.4375000	SEI42C-388-184
SEI42C-388-FLAT-281	6	0.9427080	SEI42C-388-281	SEI42C-388-FLAT-185	54	0.4427080	SEI42C-388-185
SEI42C-388-FLAT-282		0.9479170	SEI42C-388-282	SEI42C-388-FLAT-186		0.4479170	SEI42C-388-186
SEI42C-388-FLAT-283	7	0.9531250	SEI42C-388-283	SEI42C-388-FLAT-187	55	0.4531250	SEI42C-388-187
SEI42C-388-FLAT-284		0.9583330	SEI42C-388-284	SEI42C-388-FLAT-188		0.4583330	SEI42C-388-188
SEI42C-388-FLAT-285	8	0.9635420	SEI42C-388-285	SEI42C-388-FLAT-189	56	0.4635420	SEI42C-388-189
SEI42C-388-FLAT-286		0.9687500	SEI42C-388-286	SEI42C-388-FLAT-190		0.4687500	SEI42C-388-190
SEI42C-388-FLAT-287	9	0.9739580	SEI42C-388-287	SEI42C-388-FLAT-191	57	0.4739580	SEI42C-388-191
SEI42C-388-FLAT-288		0.9791670	SEI42C-388-288	SEI42C-388-FLAT-192		0.4791670	SEI42C-388-192
SEI42C-388-FLAT-289	10	0.9843750	SEI42C-388-289	SEI42C-388-FLAT-193	58	0.4843750	SEI42C-388-193
SEI42C-388-FLAT-290		0.9895830	SEI42C-388-290	SEI42C-388-FLAT-194		0.4895830	SEI42C-388-194
SEI42C-388-FLAT-291	11	0.9947920	SEI42C-388-291	SEI42C-388-FLAT-195_NEW	59	0.4947920	SEI42C-388-195
SEI42C-388-FLAT-290-NEW		0.0000000	SEI42C-388-292	SEI42C-388-FLAT-196		0.5000000	SEI42C-388-196
SEI42C-388-FLAT-101	12	0.0052080	SEI42C-388-101	SEI42C-388-FLAT-197	60	0.5052080	SEI42C-388-197
SEI42C-388-FLAT-102		0.0104170	SEI42C-388-102	SEI42C-388-FLAT-NEW-198		0.5104170	SEI42C-388-198
SEI42C-388-FLAT-103-NEW	13	0.0156250	SEI42C-388-103	SEI42C-388-FLAT-292	61	0.5156250	SEI42C-388-199
SEI42C-388-FLAT-NEW-104		0.0193410	SEI42C-388-104	SEI42C-388-FLAT-198		0.5208330	SEI42C-388-200
SEI42C-388-FLAT-NEW-106	14	0.0220000	SEI42C-388-106	SEI42C-388-FLAT-201	62	0.5260420	SEI42C-388-201
SEI42C-388-FLAT-NEW-107		0.0360000	SEI42C-388-107	SEI42C-388-FLAT-202		0.5312500	SEI42C-388-202
SEI42C-388-FLAT-107-108	15	0.0410000	SEI42C-388-108	SEI42C-388-FLAT-203	63	0.5364580	SEI42C-388-203
SEI42C-388-FLAT-109		0.0468750	SEI42C-388-109	SEI42C-388-FLAT-204		0.5416670	SEI42C-388-204
SEI42C-388-FLAT-110	16	0.0520830	SEI42C-388-110	SEI42C-388-FLAT-205	64	0.5468750	SEI42C-388-205
SEI42C-388-FLAT-111		0.0572920	SEI42C-388-111	SEI42C-388-FLAT-206		0.5520830	SEI42C-388-206
SEI42C-388-FLAT-112	17	0.0625000	SEI42C-388-112	SEI42C-388-FLAT-207	65	0.5572920	SEI42C-388-207
SEI42C-388-FLAT-113		0.0677080	SEI42C-388-113	SEI42C-388-FLAT-208		0.5625000	SEI42C-388-208
SEI42C-388-FLAT-114	18	0.0729170	SEI42C-388-114	SEI42C-388-FLAT-209	66	0.5677080	SEI42C-388-209
SEI42C-388-FLAT-115		0.0781250	SEI42C-388-115	SEI42C-388-FLAT-210		0.5729170	SEI42C-388-210
SEI42C-388-FLAT-116	19	0.0833330	SEI42C-388-116	SEI42C-388-FLAT-211	67	0.5781250	SEI42C-388-211
SEI42C-388-FLAT-117		0.0885420	SEI42C-388-117	SEI42C-388-FLAT-212		0.5833340	SEI42C-388-212
SEI42C-388-FLAT-118	20	0.0937500	SEI42C-388-118	SEI42C-388-FLAT-213	68	0.5885420	SEI42C-388-213
SEI42C-388-FLAT-119		0.0989580	SEI42C-388-119	SEI42C-388-FLAT-214		0.5937500	SEI42C-388-214
SEI42C-388-FLAT-120	21	0.1041670	SEI42C-388-120	SEI42C-388-FLAT-215	69	0.5989590	SEI42C-388-215
SEI42C-388-FLAT-121		0.1093750	SEI42C-388-121	SEI42C-388-FLAT-216		0.6041670	SEI42C-388-216
SEI42C-388-FLAT-122	22	0.1145830	SEI42C-388-122	SEI42C-388-FLAT-217	70	0.6093750	SEI42C-388-217
SEI42C-388-FLAT-123		0.1197920	SEI42C-388-123	SEI42C-388-FLAT-218		0.6145840	SEI42C-388-218
SEI42C-388-FLAT-124	23	0.1250000	SEI42C-388-124	SEI42C-388-FLAT-219	71	0.6197920	SEI42C-388-219
SEI42C-388-FLAT-125		0.1302080	SEI42C-388-125	SEI42C-388-FLAT-220		0.6250000	SEI42C-388-220
SEI42C-388-FLAT-126	24	0.1354170	SEI42C-388-126	SEI42C-388-FLAT-221	72	0.6302090	SEI42C-388-221
SEI42C-388-FLAT-127		0.1406250	SEI42C-388-127	SEI42C-388-FLAT-222		0.6354170	SEI42C-388-222
SEI42C-388-FLAT-128	25	0.1458330	SEI42C-388-128	SEI42C-388-FLAT-223	73	0.6406250	SEI42C-388-223
SEI42C-388-FLAT-129		0.1510420	SEI42C-388-129	SEI42C-388-FLAT-224		0.6458340	SEI42C-388-224
SEI42C-388-FLAT-130	26	0.1562500	SEI42C-388-130	SEI42C-388-FLAT-225	74	0.6510420	SEI42C-388-225
SEI42C-388-FLAT-131		0.1614580	SEI42C-388-131	SEI42C-388-FLAT-226		0.6562500	SEI42C-388-226
SEI42C-388-FLAT-132	27	0.1666670	SEI42C-388-132	SEI42C-388-FLAT-227	75	0.6614580	SEI42C-388-227
SEI42C-388-FLAT-133		0.1718750	SEI42C-388-133	SEI42C-388-FLAT-228		0.6666670	SEI42C-388-228
SEI42C-388-FLAT-134	28	0.1770830	SEI42C-388-134	SEI42C-388-FLAT-229	76	0.6718750	SEI42C-388-229
SEI42C-388-FLAT-135		0.1822920	SEI42C-388-135	SEI42C-388-FLAT-230		0.6770830	SEI42C-388-230
SEI42C-388-FLAT-136	29	0.1875000	SEI42C-388-136	SEI42C-388-FLAT-231	77	0.6822920	SEI42C-388-231
SEI42C-388-FLAT-137		0.1927080	SEI42C-388-137	SEI42C-388-FLAT-232		0.6875000	SEI42C-388-232
SEI42C-388-FLAT-138	30	0.1979170	SEI42C-388-138	SEI42C-388-FLAT-233	78	0.6927080	SEI42C-388-233
SEI42C-388-FLAT-139		0.2031250	SEI42C-388-139	SEI42C-388-FLAT-234		0.6979170	SEI42C-388-234
SEI42C-388-FLAT-140	31	0.2083330	SEI42C-388-140	SEI42C-388-FLAT-235	79	0.7031250	SEI42C-388-235
SEI42C-388-FLAT-141		0.2135420	SEI42C-388-141	SEI42C-388-FLAT-236		0.7083330	SEI42C-388-236
SEI42C-388-FLAT-142	32	0.2187500	SEI42C-388-142	SEI42C-388-FLAT-237	80	0.7135420	SEI42C-388-237
SEI42C-388-FLAT-143		0.2239580	SEI42C-388-143	SEI42C-388-FLAT-238		0.7187500	SEI42C-388-238
SEI42C-388-FLAT-144	33	0.2291670	SEI42C-388-144	SEI42C-388-FLAT-239	81	0.7239580	SEI42C-388-239
SEI42C-388-FLAT-145		0.2343750	SEI42C-388-145	SEI42C-388-FLAT-240		0.7291670	SEI42C-388-240
SEI42C-388-FLAT-146	34	0.2395830	SEI42C-388-146	SEI42C-388-FLAT-241	82	0.7343750	SEI42C-388-241
SEI42C-388-FLAT-147		0.2447920	SEI42C-388-147	SEI42C-388-FLAT-242		0.7395830	SEI42C-388-242
SEI42C-388-FLAT-148	35	0.2500000	SEI42C-388-148	SEI42C-388-FLAT-243	83	0.7447920	SEI42C-388-243
SEI42C-388-FLAT-149		0.2552080	SEI42C-388-149	SEI42C-388-FLAT-244		0.7500000	SEI42C-388-244
SEI42C-388-FLAT-150	36	0.2604170	SEI42C-388-150	SEI42C-388-FLAT-245	84	0.7552080	SEI42C-388-245
SEI42C-388-FLAT-151		0.2656250	SEI42C-388-151	SEI42C-388-FLAT-246		0.7604170	SEI42C-388-246
SEI42C-388-FLAT-152	37	0.2708330	SEI42C-388-152	SEI42C-388-FLAT-247	85	0.7656250	SEI42C-388-247
SEI42C-388-FLAT-153		0.2760420	SEI42C-388-153	SEI42C-388-FLAT-248		0.7708330	SEI42C-388-248
SEI42C-388-FLAT-154	38	0.2812500	SEI42C-388-154	SEI42C-388-FLAT-249	86	0.7760420	SEI42C-388-249
SEI42C-388-FLAT-155		0.2864580	SEI42C-388-155	SEI42C-388-FLAT-250		0.7812500	SEI42C-388-250
SEI42C-388-FLAT-156	39	0.2916670	SEI42C-388-156	SEI42C-388-FLAT-NEW-251	87	0.7864580	SEI42C-388-251
SEI42C-388-FLAT-157		0.2968750	SEI42C-388-157	SEI42C-388-FLAT-NEW-252		0.7916670	SEI42C-388-252
SEI42C-388-FLAT-158	40	0.3020830	SEI42C-388-158	SEI42C-388-FLAT-NEW-253	88	0.7968750	SEI42C-388-253
SEI42C-388-FLAT-159		0.3072920	SEI42C-388-159	SEI42C-388-FLAT-NEW-254		0.8020830	SEI42C-388-254
SEI42C-388-FLAT-160	41	0.3125000	SEI42C-388-160	SEI42C-388-FLAT-NEW-255	89	0.8072920	SEI42C-388-255
SEI42C-388-FLAT-161		0.3177080	SEI42C-388-161	SEI42C-388-FLAT-NEW-256		0.8125000	SEI42C-388-256
SEI42C-388-FLAT-162	42	0.3229170	SEI42C-388-162	SEI42C-388-FLAT-NEW-257	90	0.8177080	SEI42C-388-257
SEI42C-388-FLAT-163		0.3281250	SEI42C-388-163	SEI42C-388-FLAT-NEW-258		0.8229170	SEI42C-388-258
SEI42C-388-FLAT-164	43	0.3333330	SEI42C-388-164	SEI42C-388-FLAT-NEW-259	91	0.8281250	SEI42C-388-259
SEI42C-388-FLAT-165		0.3385420	SEI42C-388-165	SEI42C-388-FLAT-260		0.8333330	SEI42C-388-260
SEI42C-388-FLAT-166	44	0.3437500	SEI42C-388-166	SEI42C-388-FLAT-261	92	0.8385420	SEI42C-388-261
SEI42C-388-FLAT-167		0.3489580	SEI42C-388-167	SEI42C-388-FLAT-262		0.8437500	SEI42C-388-262
SEI42C-388-FLAT-168	45	0.3541670	SEI42C-388-168	SEI42C-388-FLAT-263	93	0.8489580	SEI42C-388-263
SEI42C-388-FLAT-169		0.3593750	SEI42C-388-169	SEI42C-388-FLAT-264		0.8541670	SEI42C-388-264
SEI42C-388-FLAT-170	46	0.3645830	SEI42C-388-170	SEI42C-388-FLAT-265	94	0.85937	

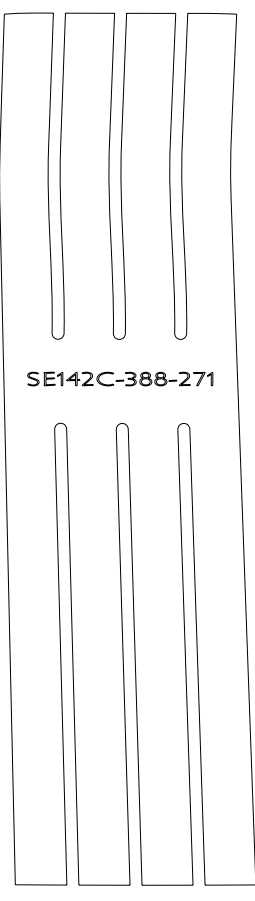
2

THESE PARTS TO BE NEMA GRADE G11CR MATERIAL

01

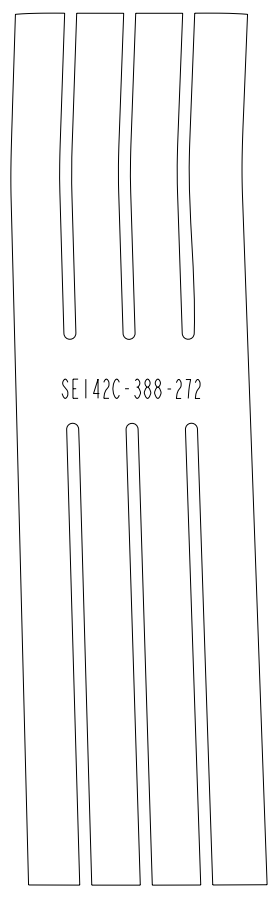


INSTANCE
SE142C-388_FLAT_270

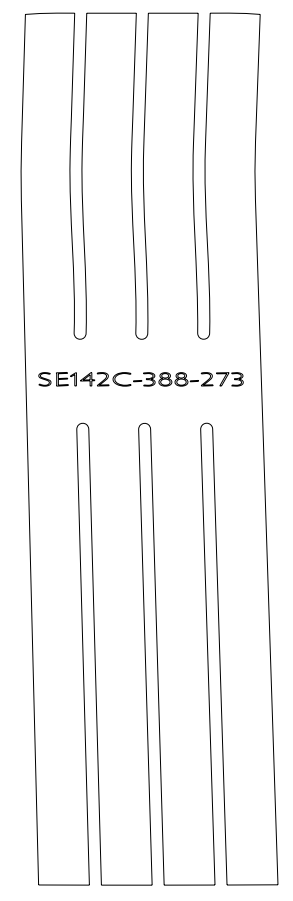


INSTANCE
SE142C-388_FLAT_271

02

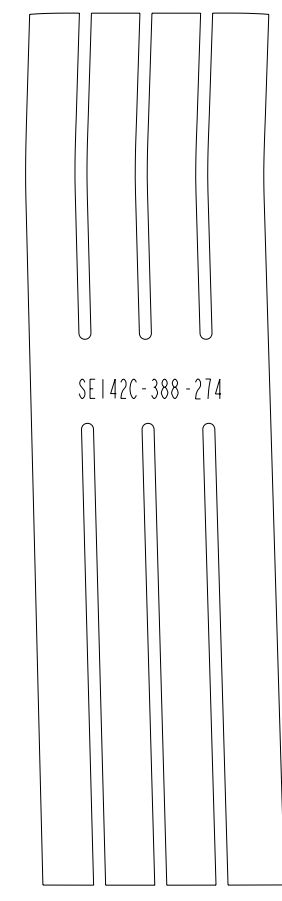


INSTANCE
SE142C-388_FLAT_272

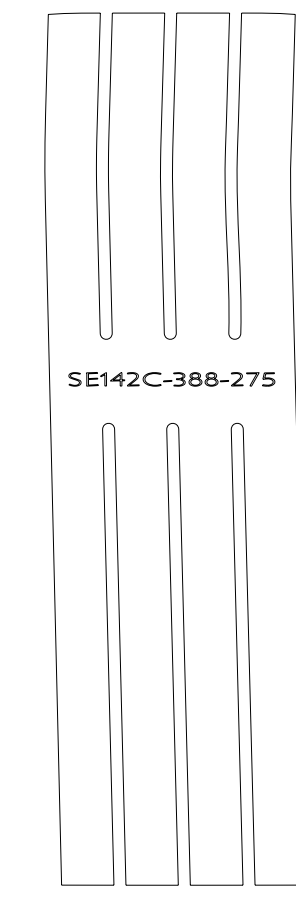


INSTANCE
SE142C-388_FLAT_273

03

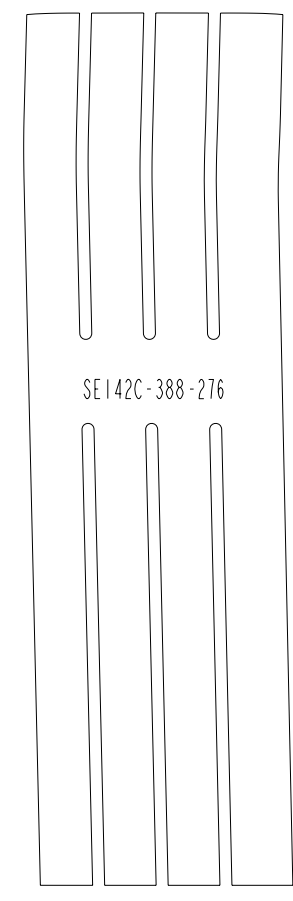


INSTANCE
SE142C-388_FLAT_274

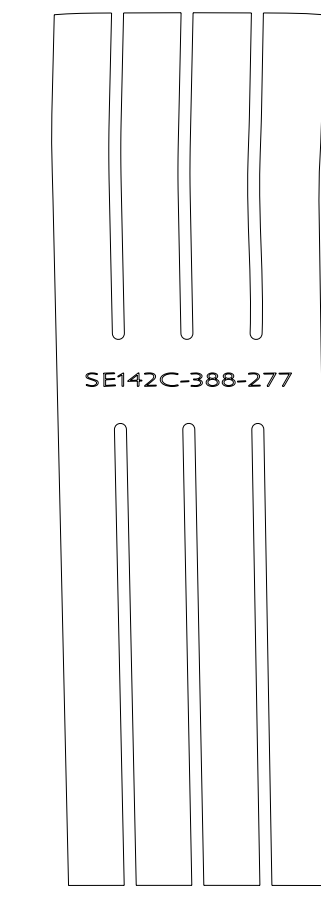


INSTANCE
SE142C-388_FLAT_275

04

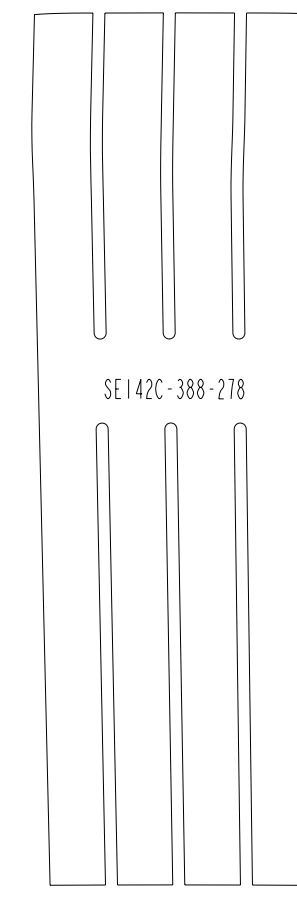


INSTANCE
SE142C-388_FLAT_276

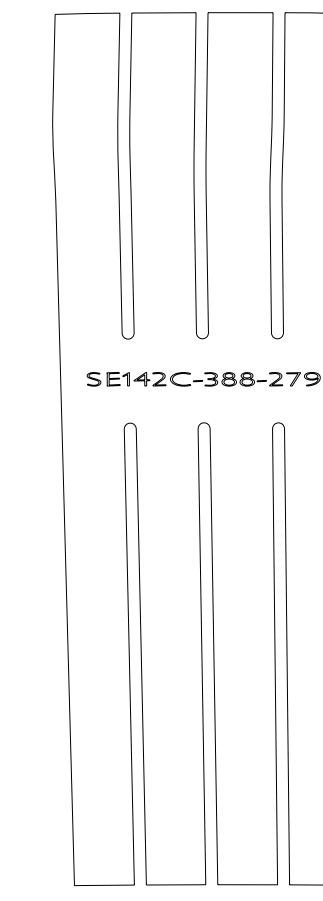


INSTANCE
SE142C-388_FLAT_277

05

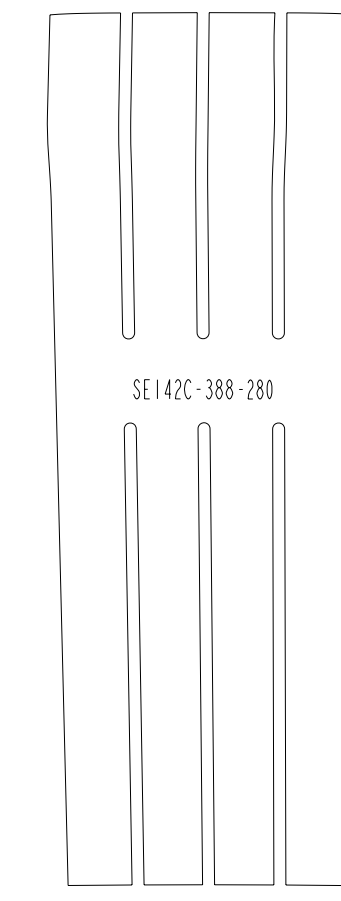


INSTANCE
SE142C-388_FLAT_278

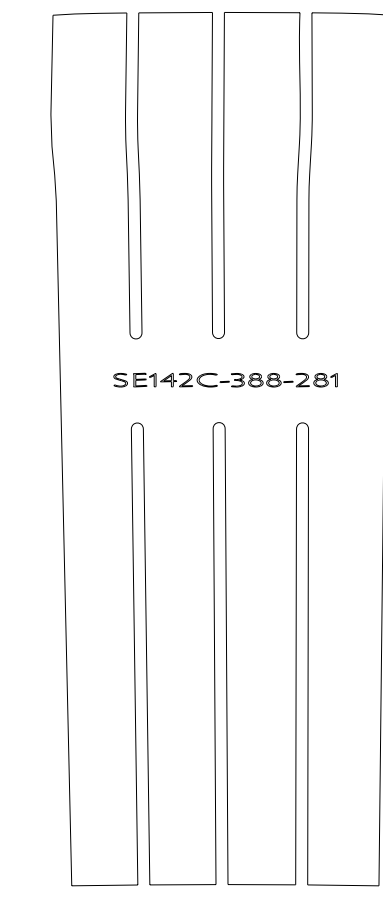


INSTANCE
SE142C-388_FLAT_279

06

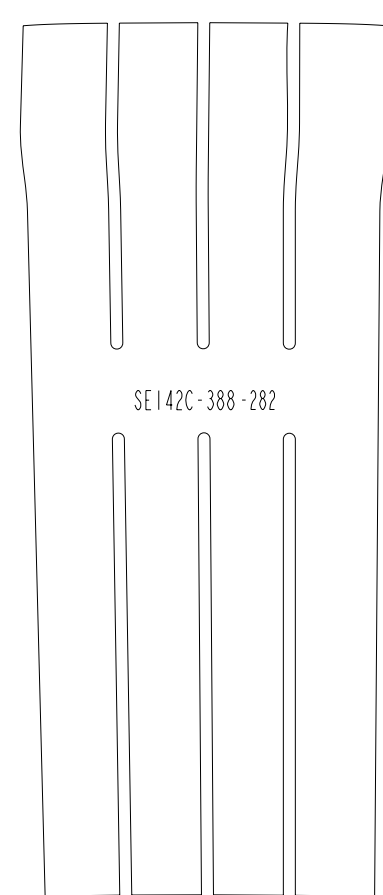


INSTANCE
SE142C-388_FLAT_280

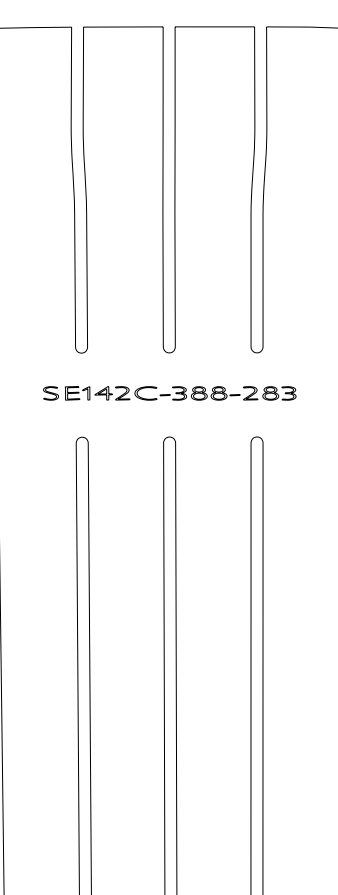


INSTANCE
SE142C-388_FLAT_281

07

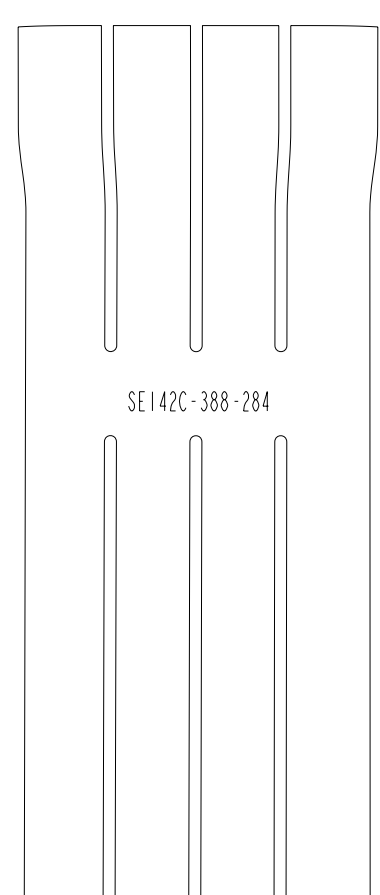


INSTANCE
SE142C-388_FLAT_282

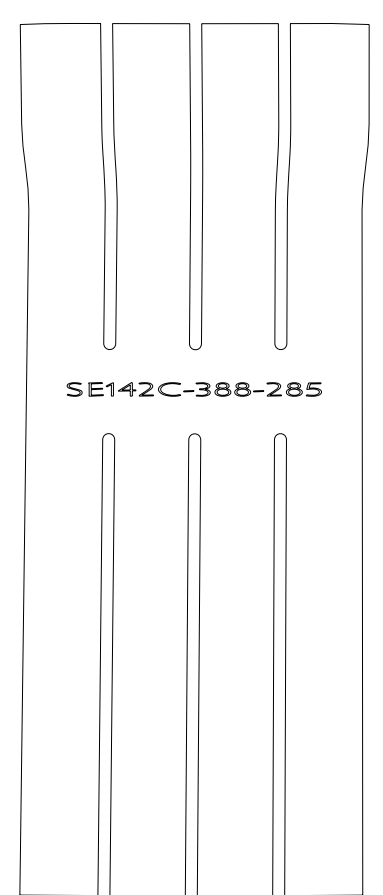


INSTANCE
SE142C-388_FLAT_283

08

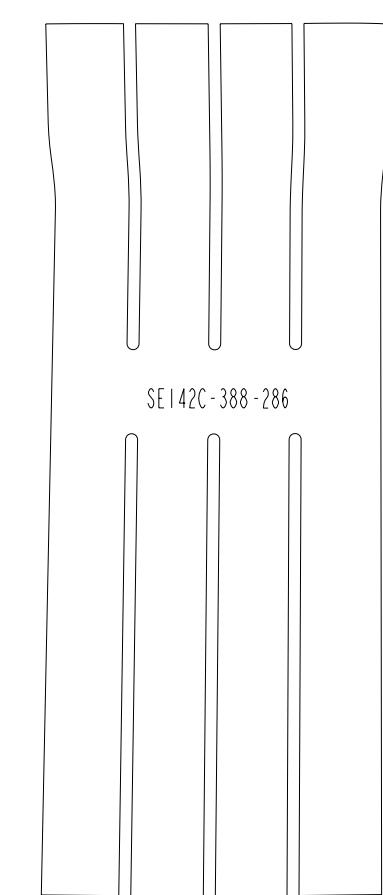


INSTANCE
SE142C-388_FLAT_284

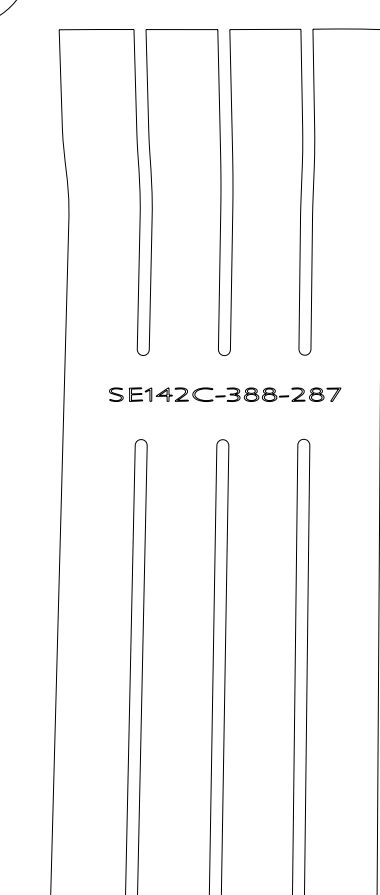


INSTANCE
SE142C-388_FLAT_285

09

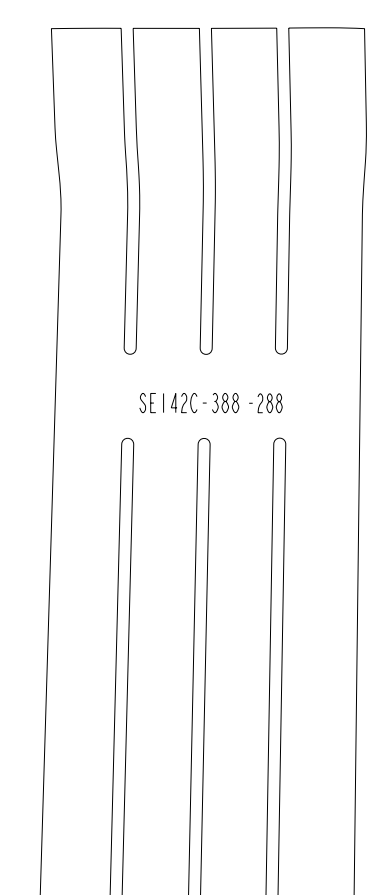


INSTANCE
SE142C-388_FLAT_286

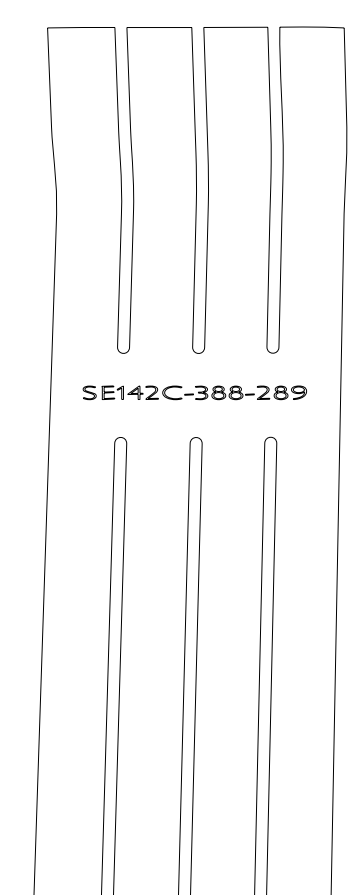


INSTANCE
SE142C-388_FLAT_287

10

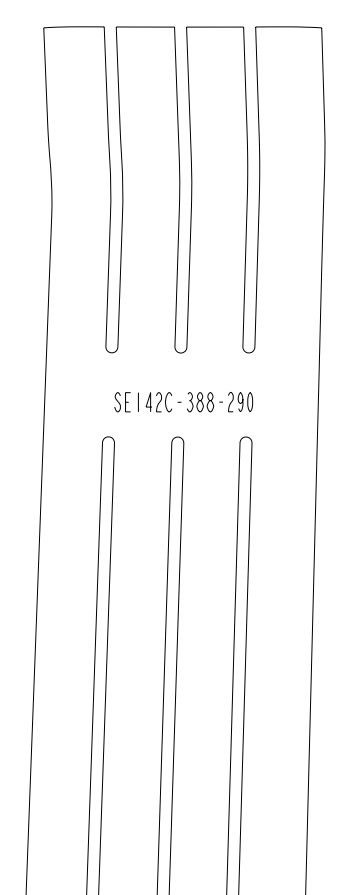


INSTANCE
SE142C-388_FLAT_288

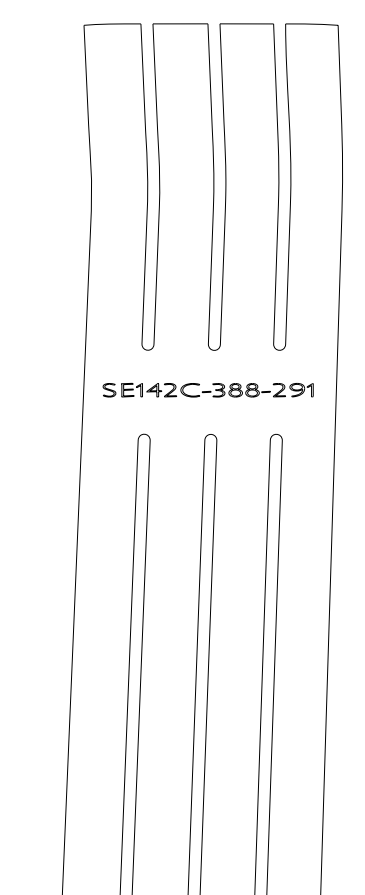


INSTANCE
SE142C-388_FLAT_289

11

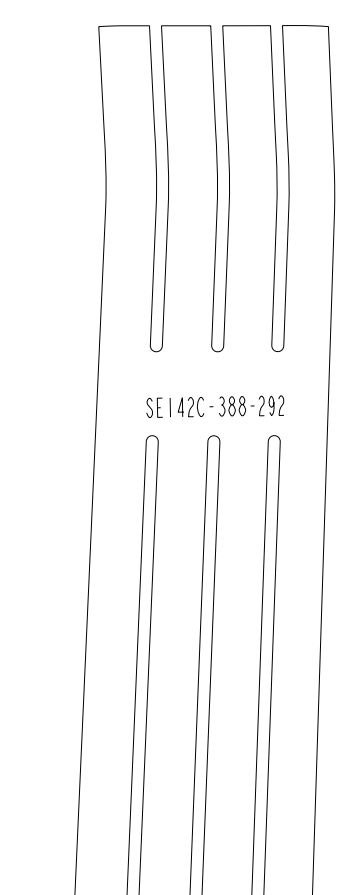


INSTANCE
SE142C-388_FLAT_290

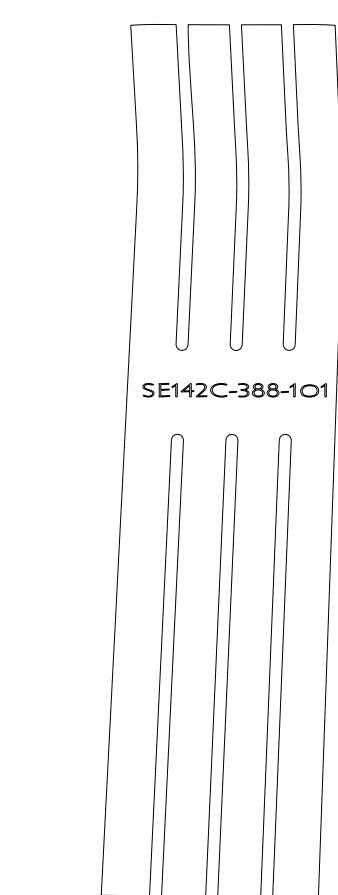


INSTANCE
SE142C-388_FLAT_291

12

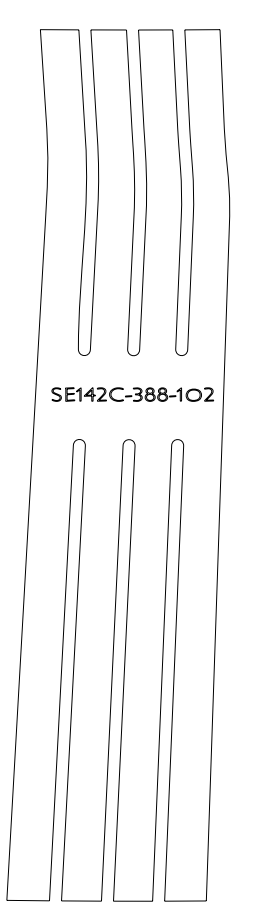


INSTANCE
SE142C-388_FLAT_291_NEW

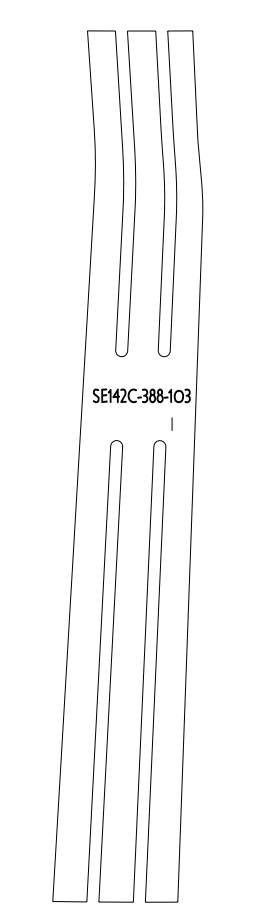


INSTANCE
SE142C-388_FLAT_101

13

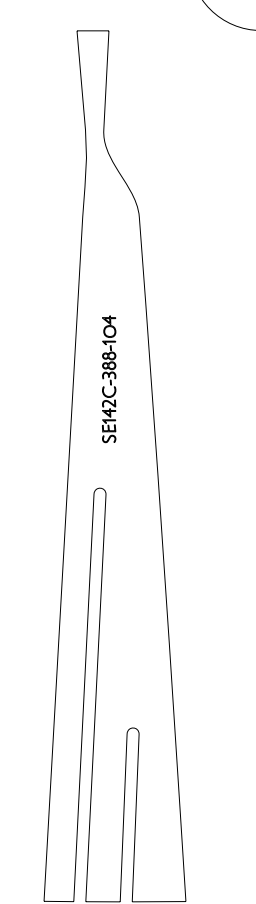


INSTANCE
SE142C-388_FLAT_102

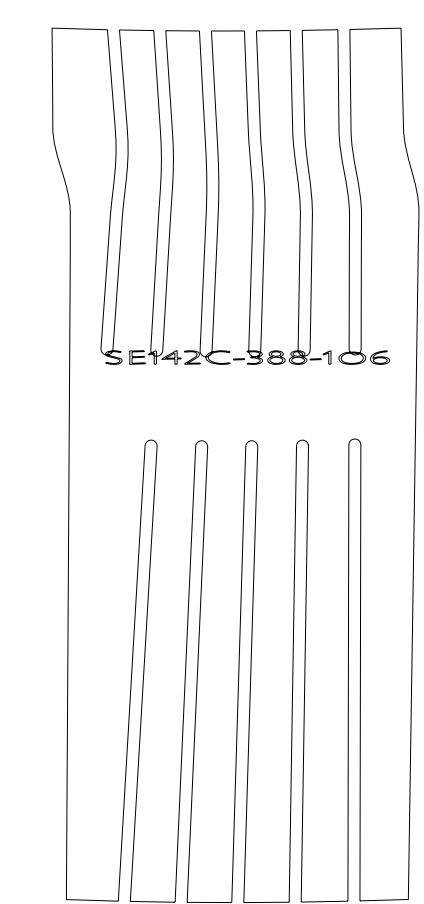


INSTANCE
SE142C-388_FLAT_103-NEW

14

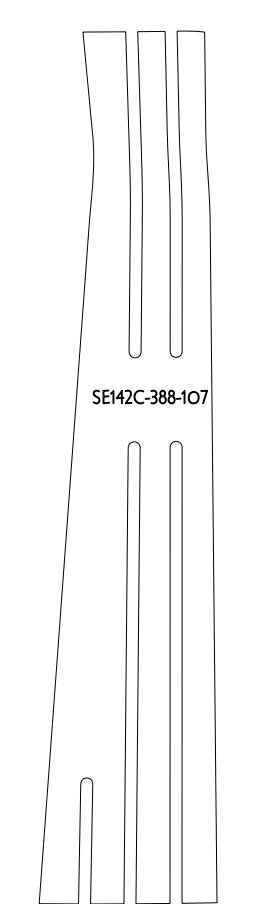


INSTANCE
SE142C-388_FLAT_NEW_104

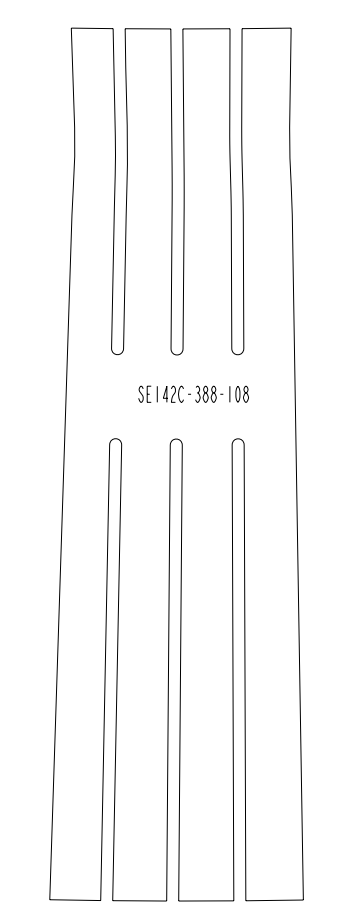


INSTANCE
SE142C-388_FLAT_NEW_106

15

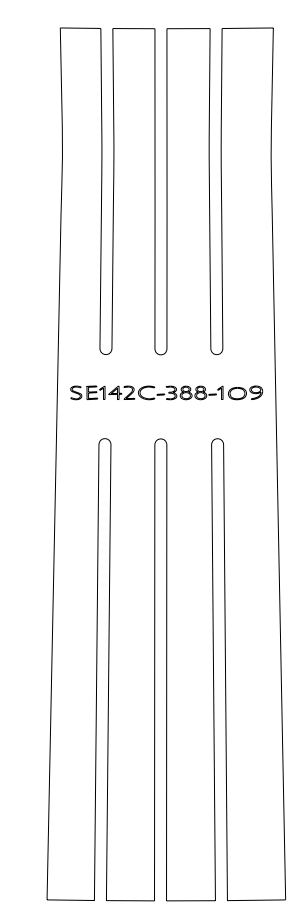


INSTANCE
SE142C-388_FLAT_NEW_107



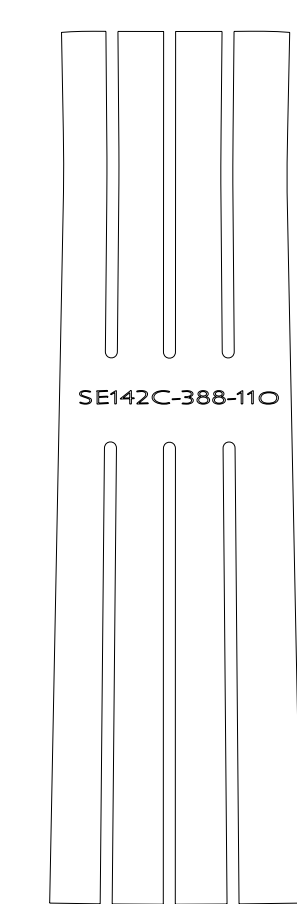
INSTANCE
SE142C-388_FLAT_107-108

16

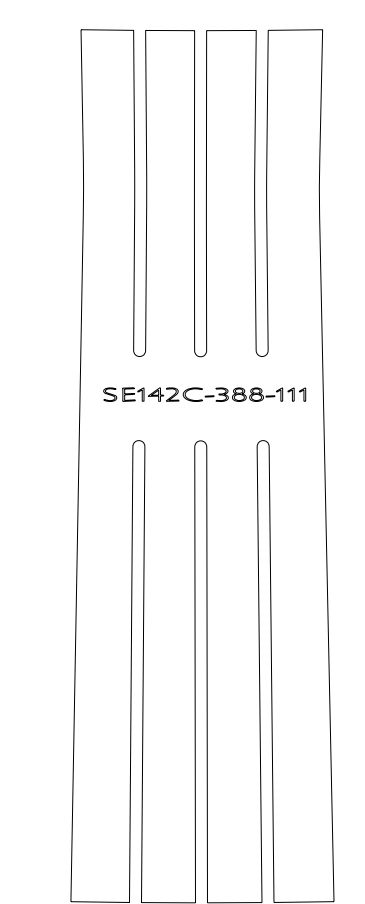


INSTANCE
SE142C-388_FLAT_109

17

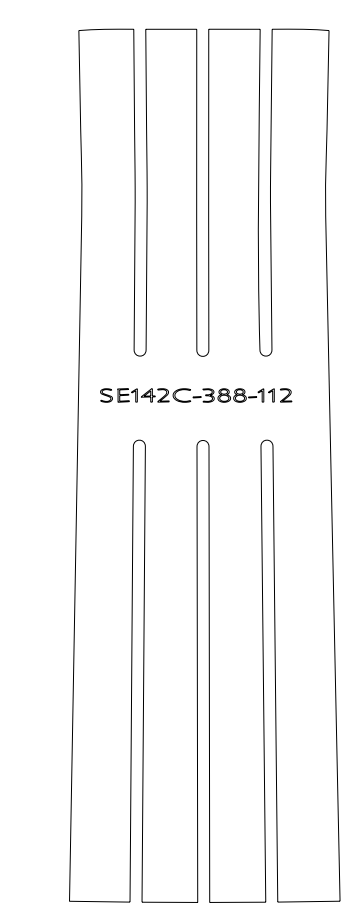


INSTANCE
SE142C-388_FLAT_110

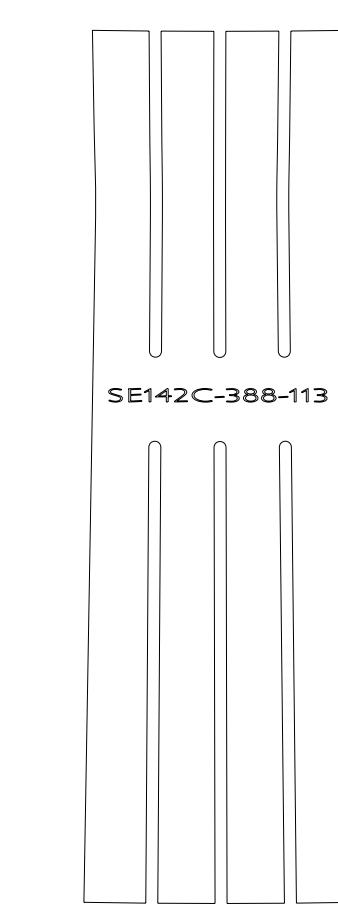


INSTANCE
SE142C-388_FLAT_111

18

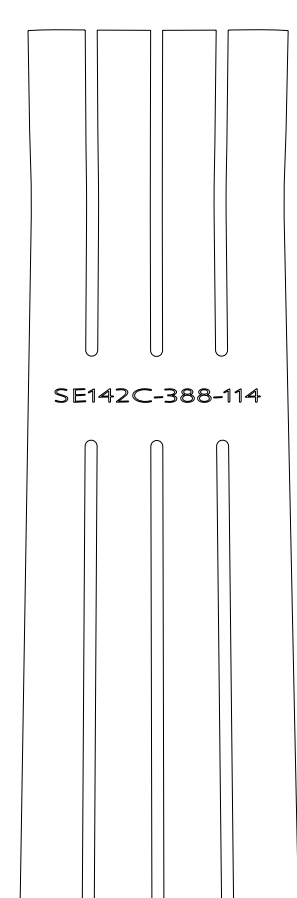


INSTANCE
SE142C-388_FLAT_112

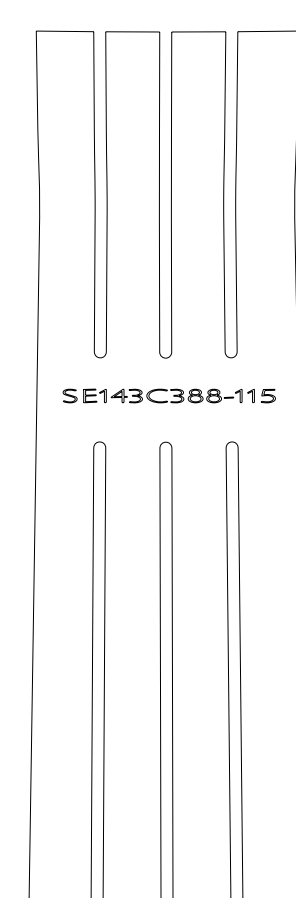


INSTANCE
SE142C-388_FLAT_113

19

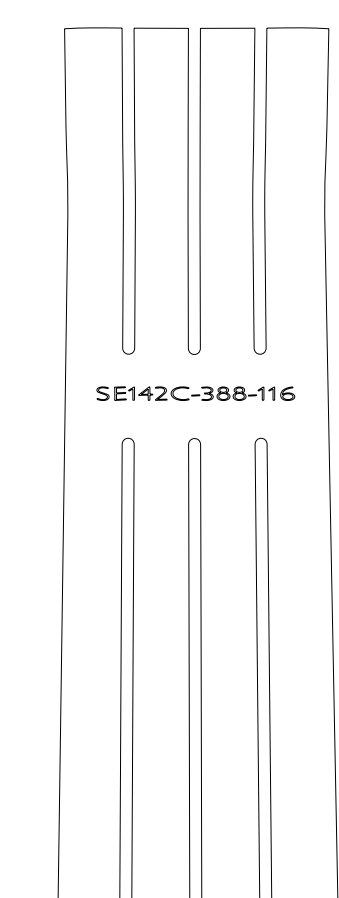


INSTANCE
SE142C-388_FLAT_114

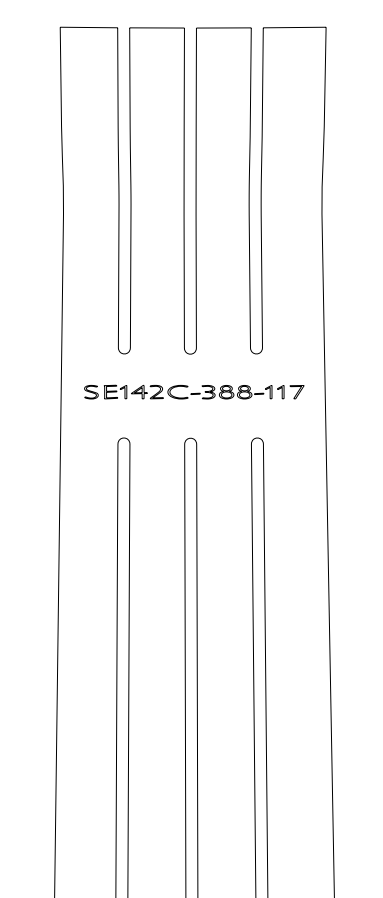


INSTANCE
SE142C-388_FLAT_115

20

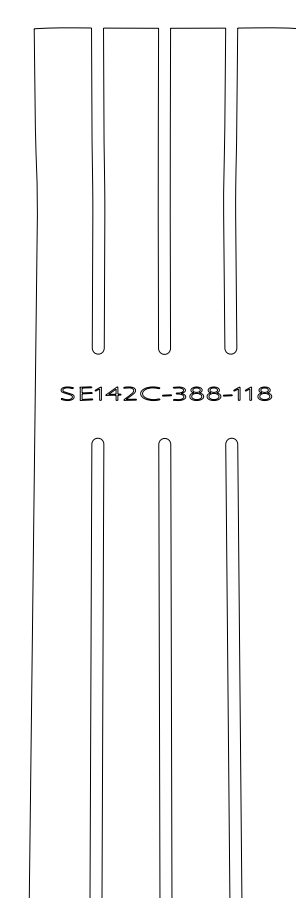


INSTANCE
SE142C-388_FLAT_116

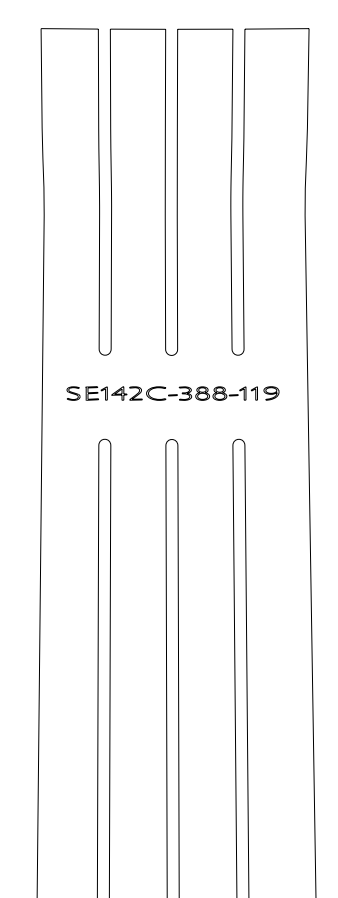


INSTANCE
SE142C-388_FLAT_117

21

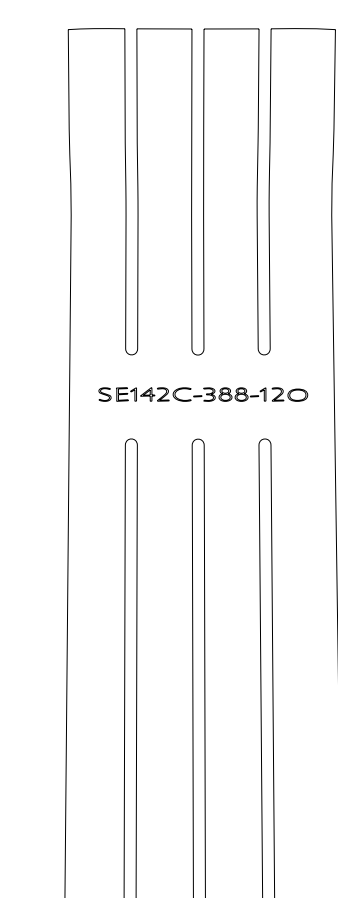


INSTANCE
SE142C-388_FLAT_118

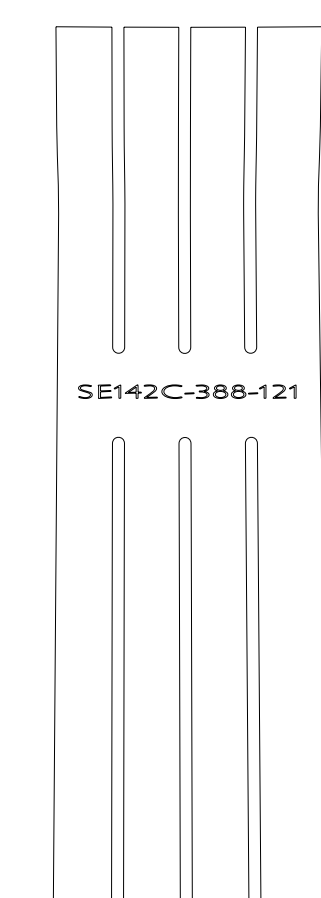


INSTANCE
SE142C-388_FLAT_119

22

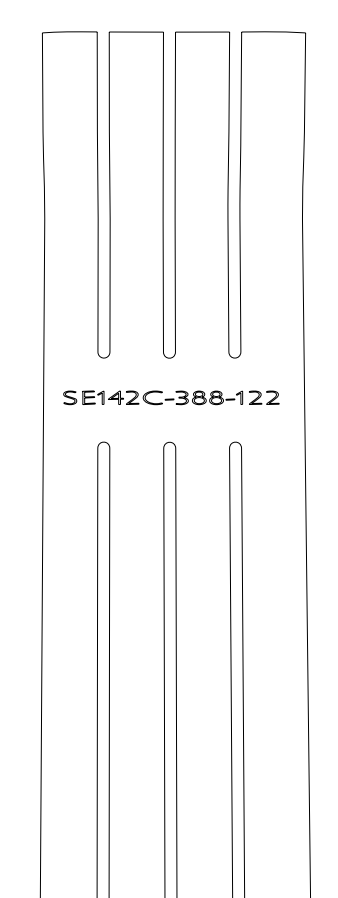


INSTANCE
SE142C-388_FLAT_120

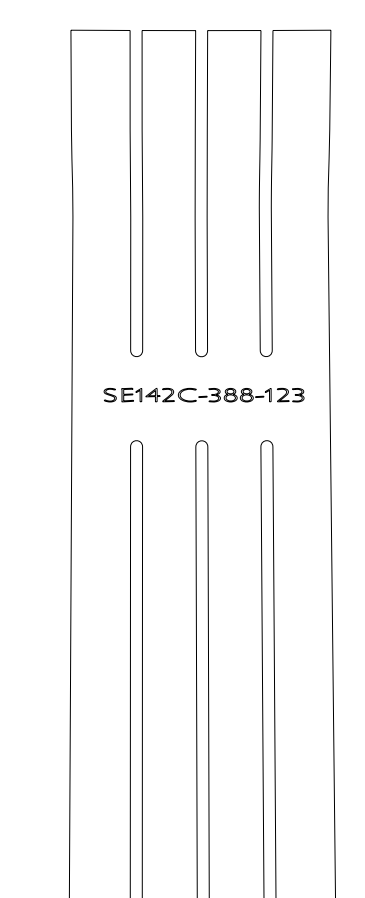


INSTANCE
SE142C-388_FLAT_121

23

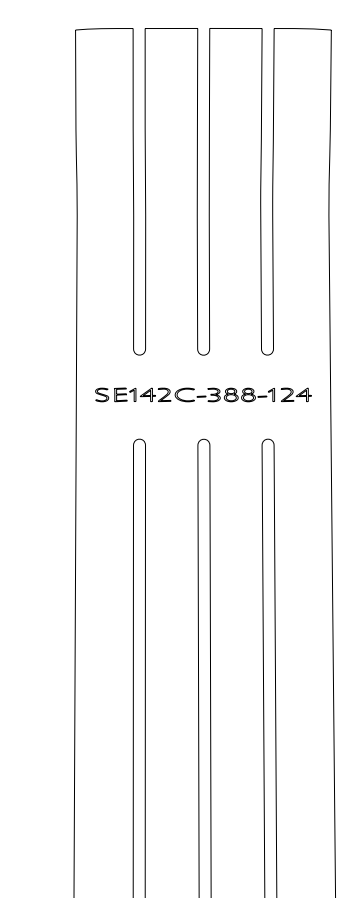


INSTANCE
SE142C-388_FLAT_122

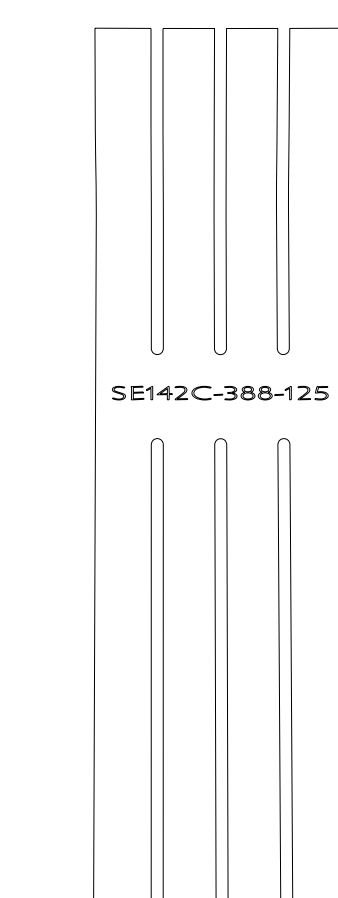


INSTANCE
SE142C-388_FLAT_123

24



INSTANCE
SE142C-388_FLAT_124



INSTANCE
SE142C-388_FLAT_125

RELEASED FOR FABRICATION / INSTALLATION
PPPL Drafting

Oak Ridge National Laboratory managed for the DEPARTMENT OF ENERGY under U.S. GOVERNMENT CONTRACT DE-AC05-00OR22725 UT-BATTELLE, LLC., Oak Ridge, Tennessee PROJECT NAME:									
NATIONAL COMPACT STELLARATOR EXPERIMENT MODULAR COIL TYPE - C SIDE "A" LOWER BOTTOM CHILL PLATE FLAT PATTERN LAYOUT									
VERSION NO.	PLANT	BLDG	FL	SHT	OF	TYPE	CLASS		
2	X-10	5700	3	2	5	S	U		
RELEASE LEVEL		SE142C-388							
Fabrication									
		REV 2							



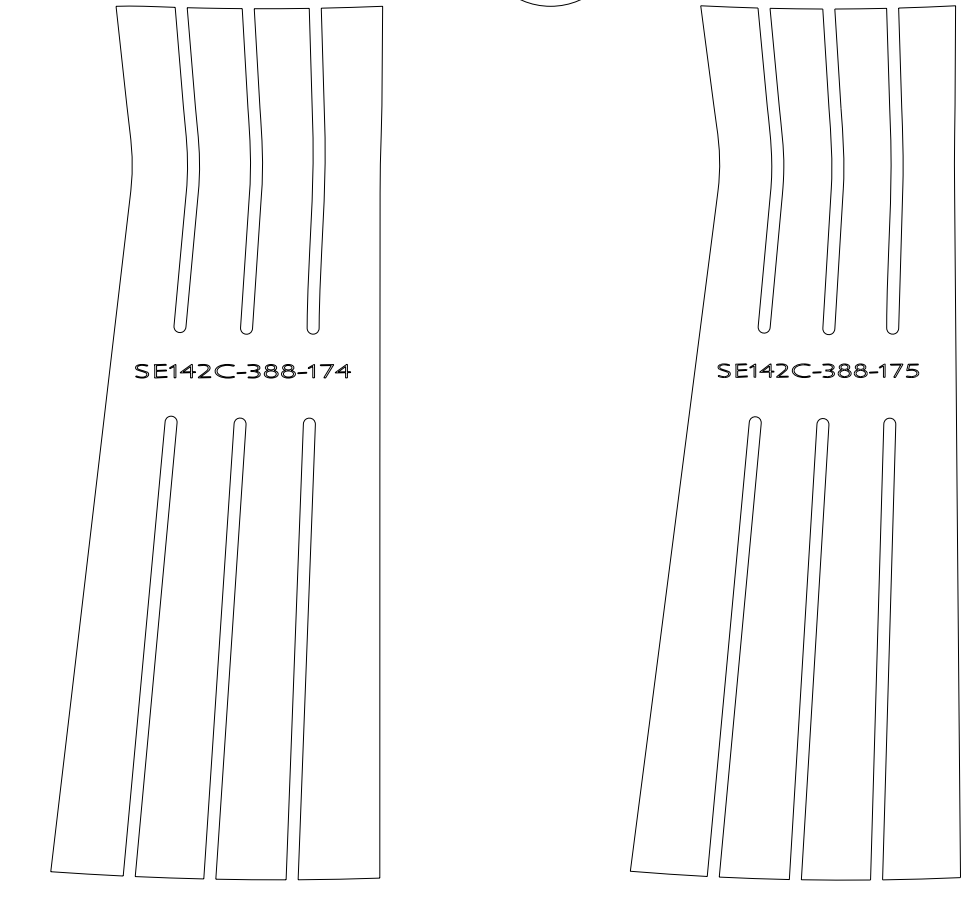
**RELEASED FOR
 FABRICATION / INSTALLATION**
 PPPL Drafting:

Oak Ridge National Laboratory managed for the DEPARTMENT OF ENERGY under U.S. GOVERNMENT CONTRACT DE-AC05-00OR22725 UT-BATTELLE, LLC. Oak Ridge, Tennessee PROJECT NAME:							
NATIONAL COMPACT STELLARATOR EXPERIMENT MODULAR COIL TYPE - C SIDE "A" LOWER BOTTOM CHILL PLATE FLAT PATTERN LAYOUT							
VERSION NO.	PLANT	BLDG	FL	SHT	OF	TYPE	CLASS
4	X-10	5700	3	3	5	S	U
RELEASE LEVEL		SE142C-388				REV	
Fabrication						2	

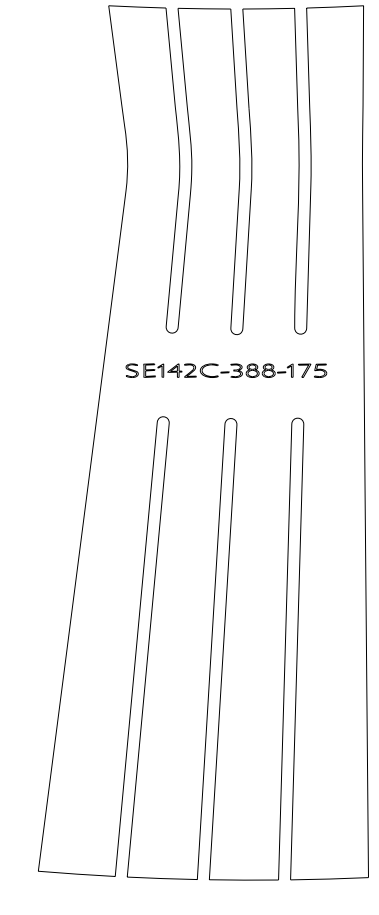
SE142C-388



49

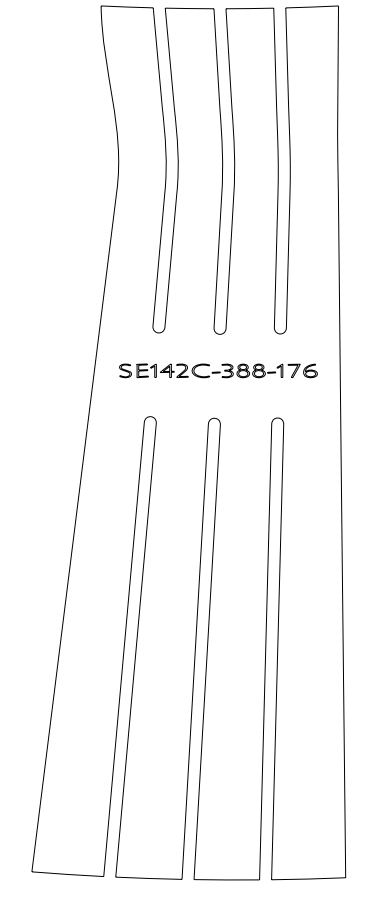


INSTANCE SE142C-388_FLAT_174

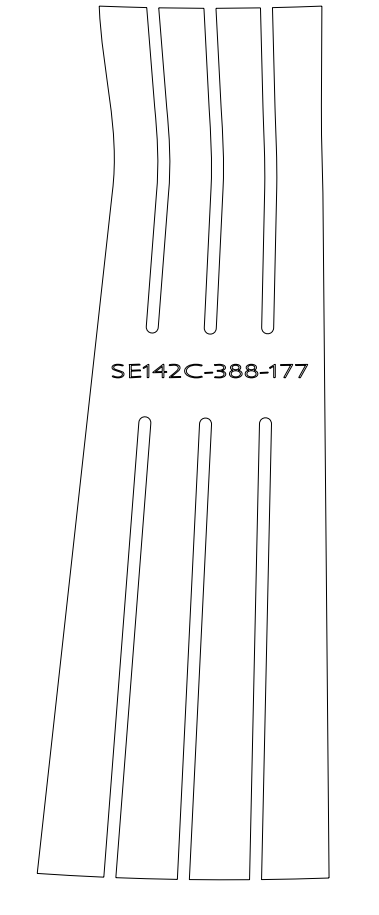


INSTANCE SE142C-388_FLAT_175

50

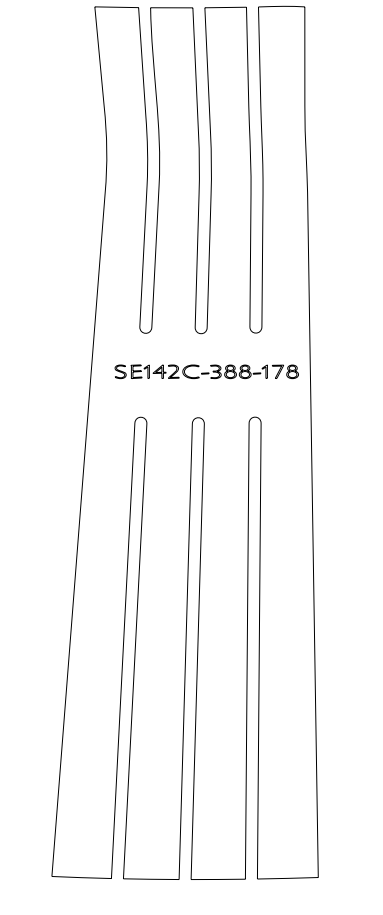


INSTANCE SE142C-388_FLAT_176

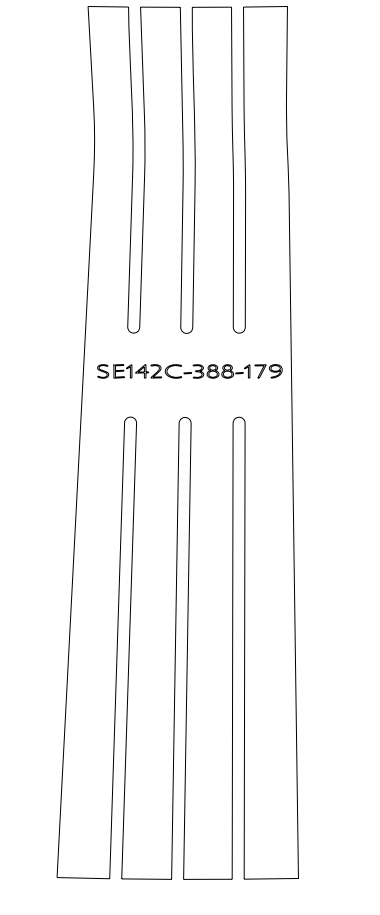


INSTANCE SE142C-388_FLAT_177

51

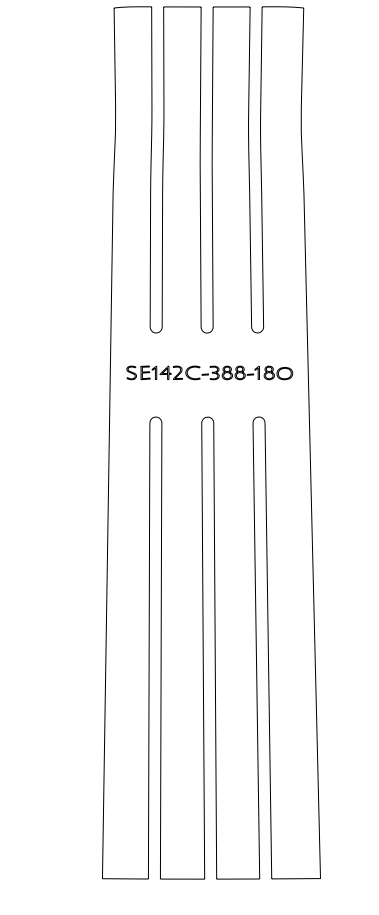


INSTANCE SE142C-388_FLAT_178

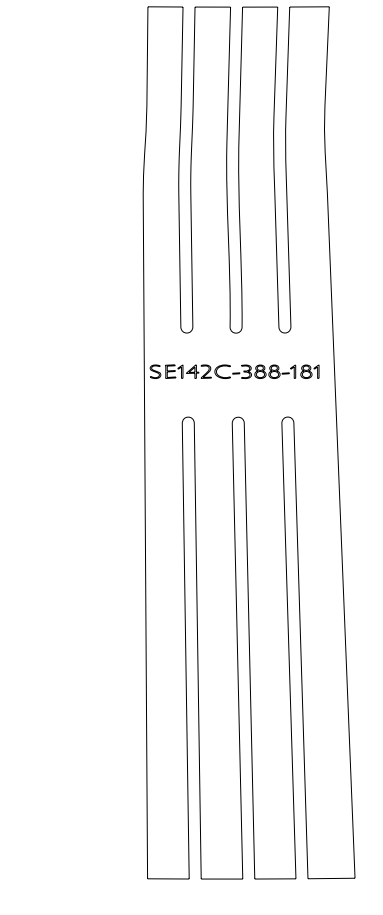


INSTANCE SE142C-388_FLAT_179

52

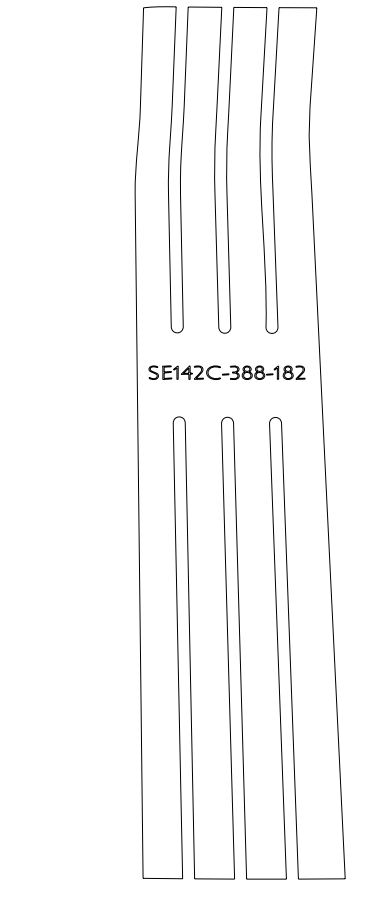


INSTANCE SE142C-388_FLAT_180

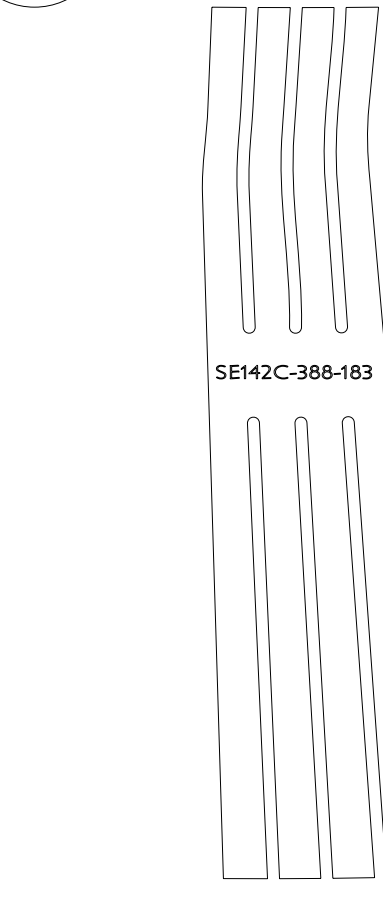


INSTANCE SE142C-388_FLAT_181

53

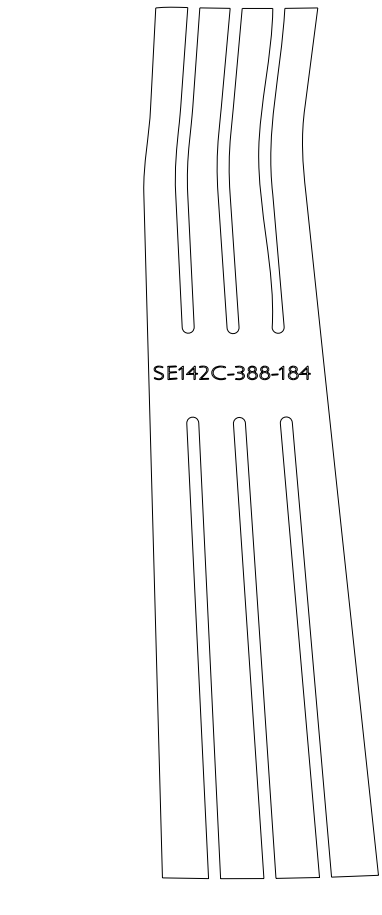


INSTANCE SE142C-388_FLAT_182

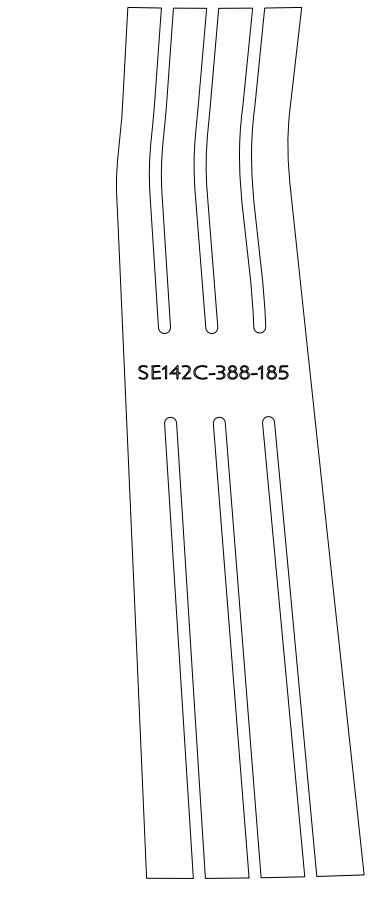


INSTANCE SE142C-388_FLAT_183

54

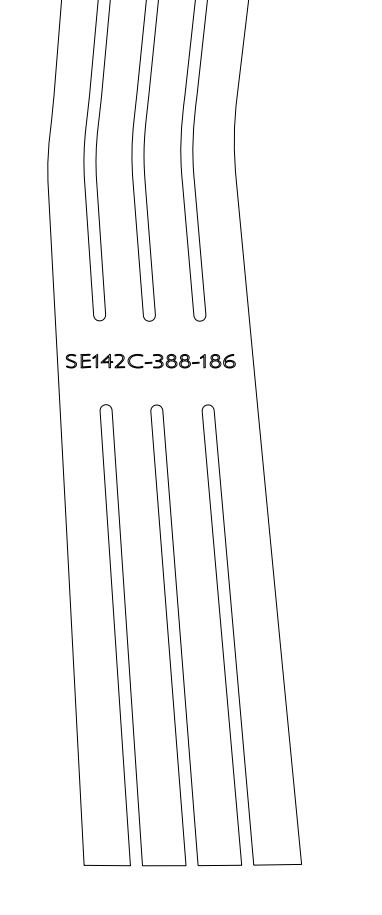


INSTANCE SE142C-388_FLAT_184

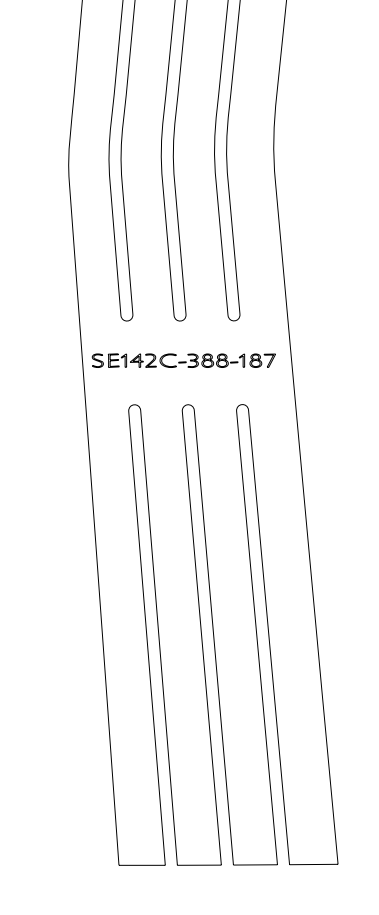


INSTANCE SE142C-388_FLAT_185

55

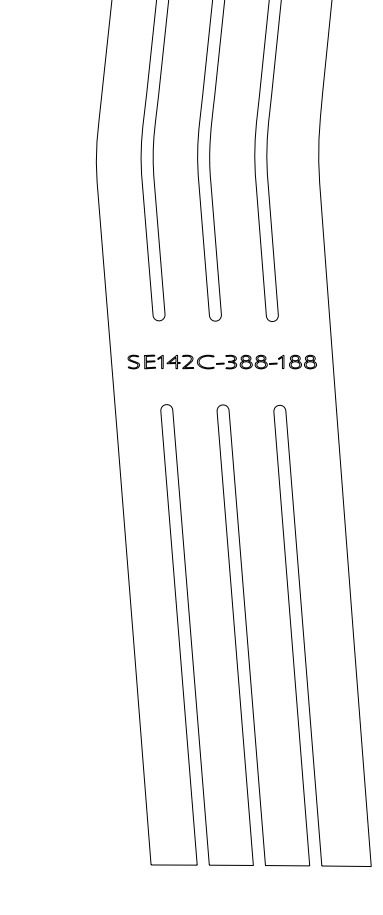


INSTANCE SE142C-388_FLAT_186

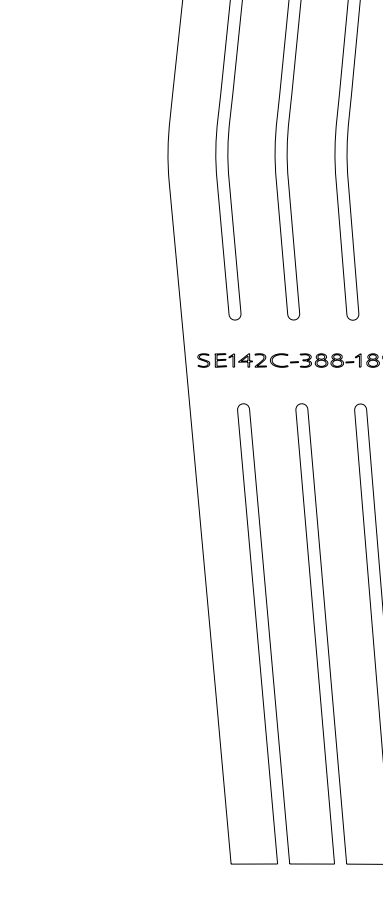


INSTANCE SE142C-388_FLAT_187

56

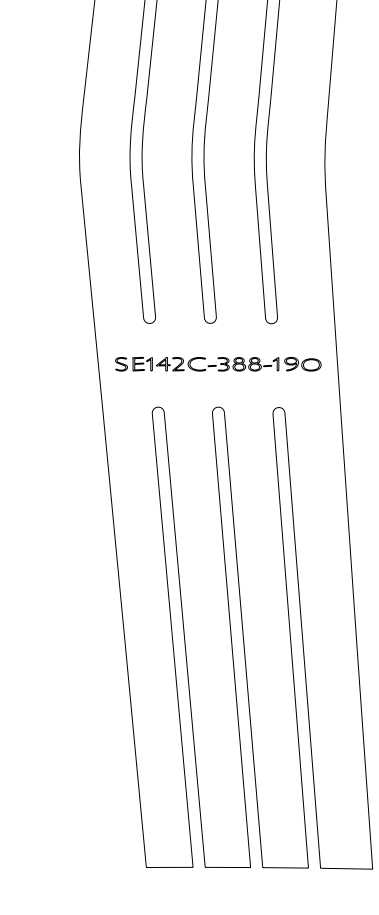


INSTANCE SE142C-388_FLAT_188

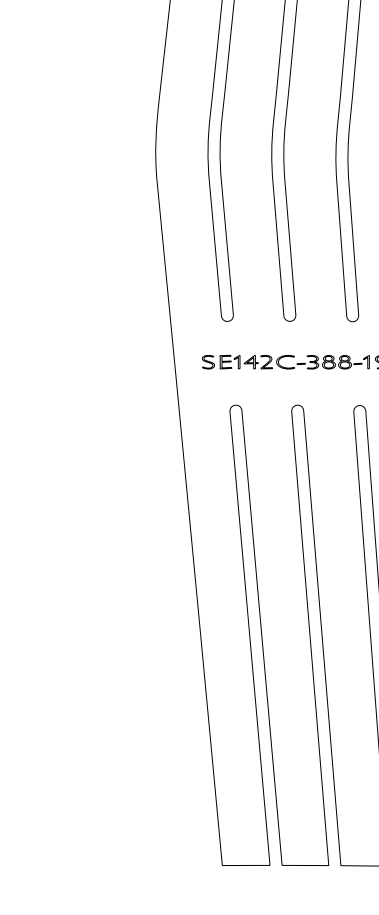


INSTANCE SE142C-388_FLAT_189

57

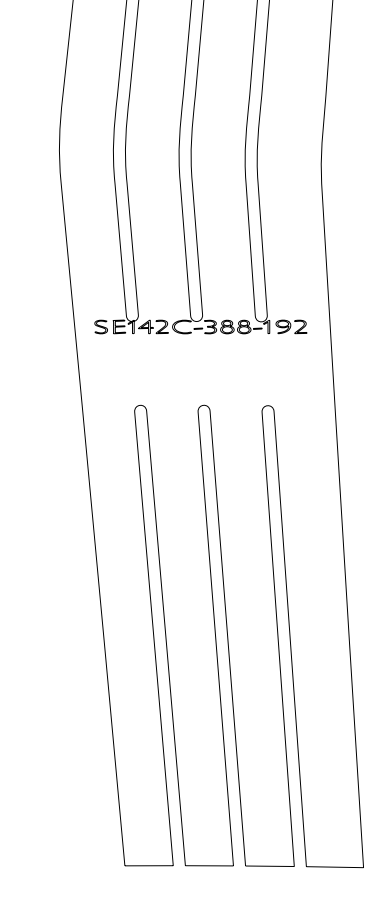


INSTANCE SE142C-388_FLAT_190

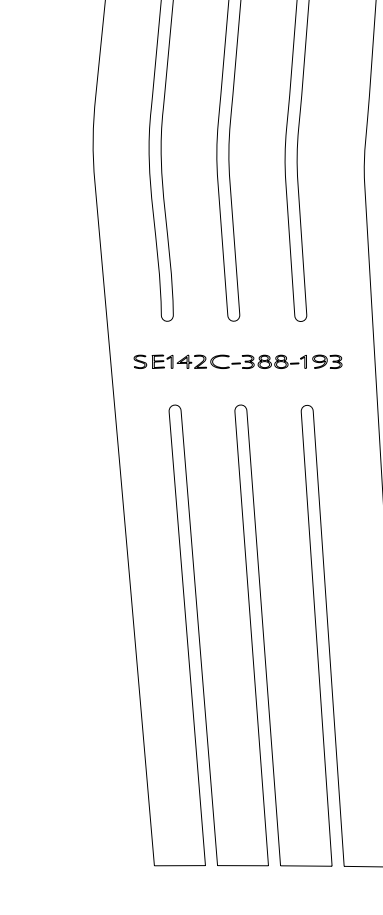


INSTANCE SE142C-388_FLAT_191

58

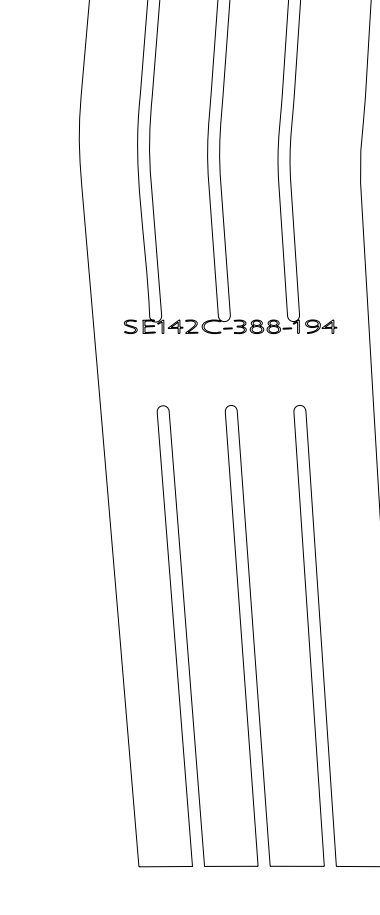


INSTANCE SE142C-388_FLAT_192

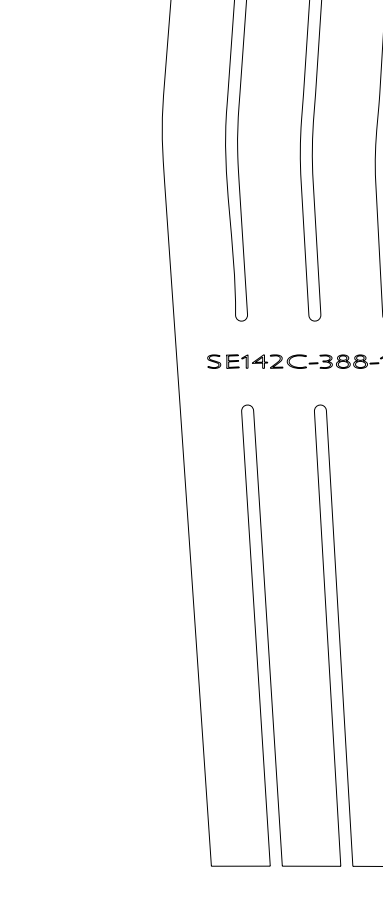


INSTANCE SE142C-388_FLAT_193

59

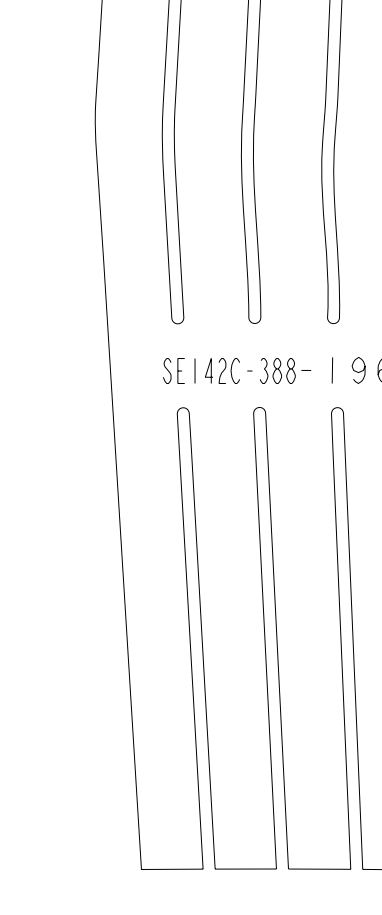


INSTANCE SE142C-388_FLAT_194

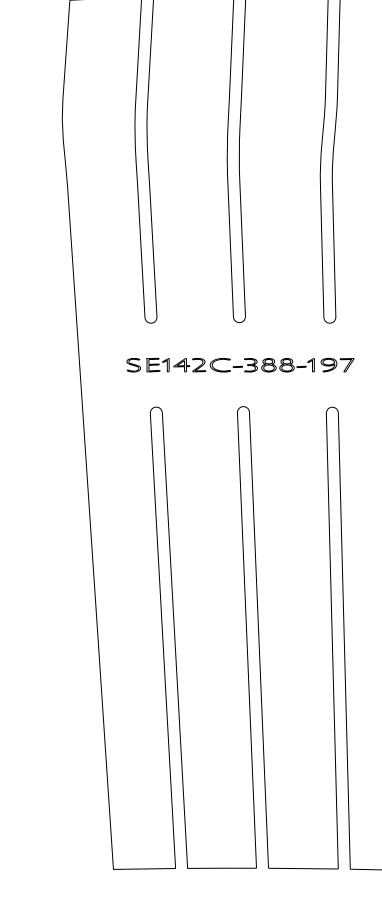


INSTANCE SE142C-388_FLAT_195_NEW

60

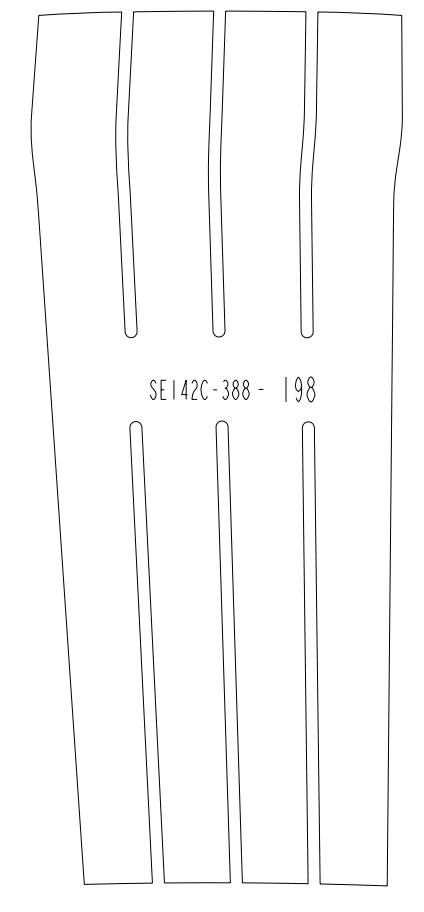


INSTANCE SE142C-388_FLAT_196



INSTANCE SE142C-388_FLAT_197

61

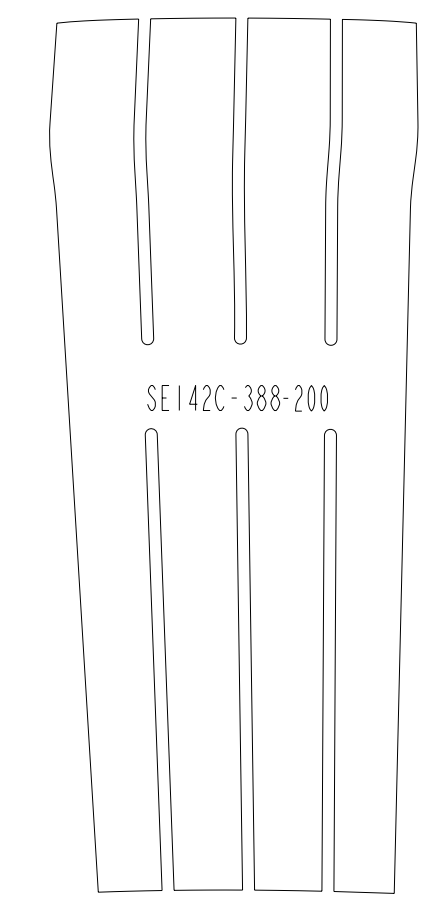


INSTANCE SE142C-388_FLAT_NEW_198

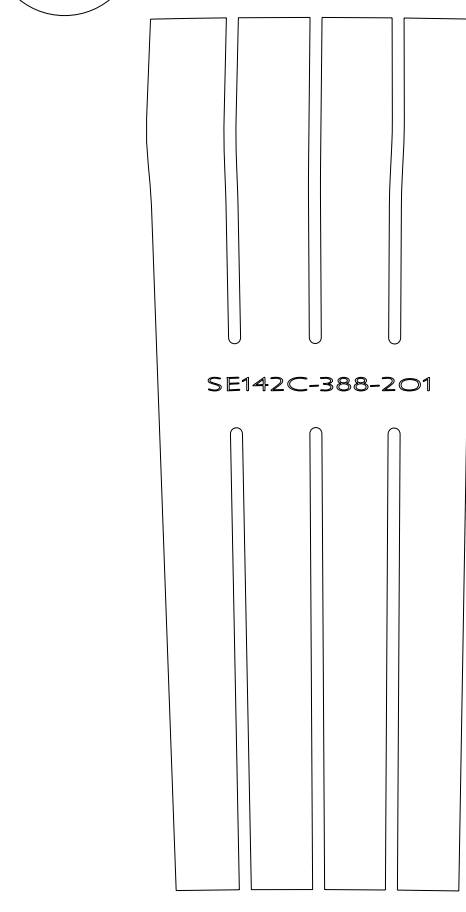


INSTANCE SE142C-388_FLAT_292

62

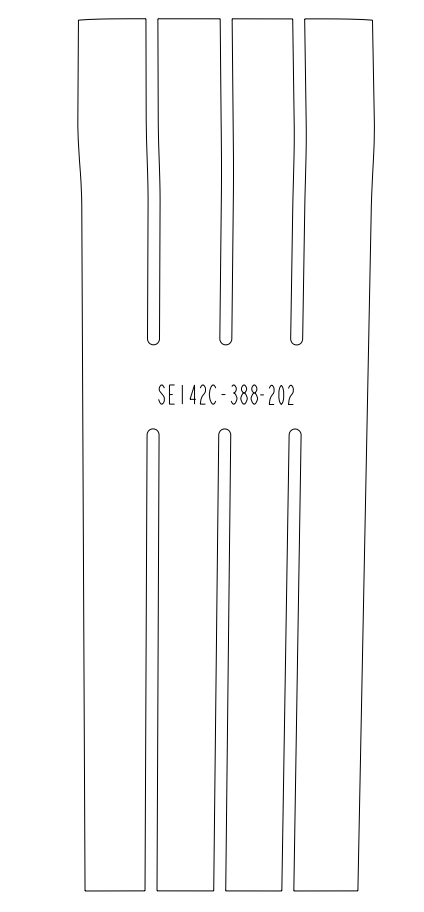


INSTANCE SE142C-388_FLAT_198

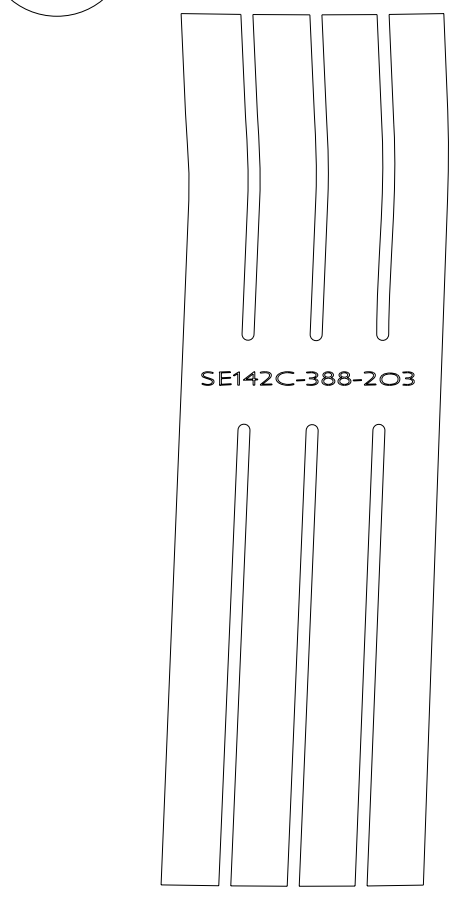


INSTANCE SE142C-388_FLAT_201

63

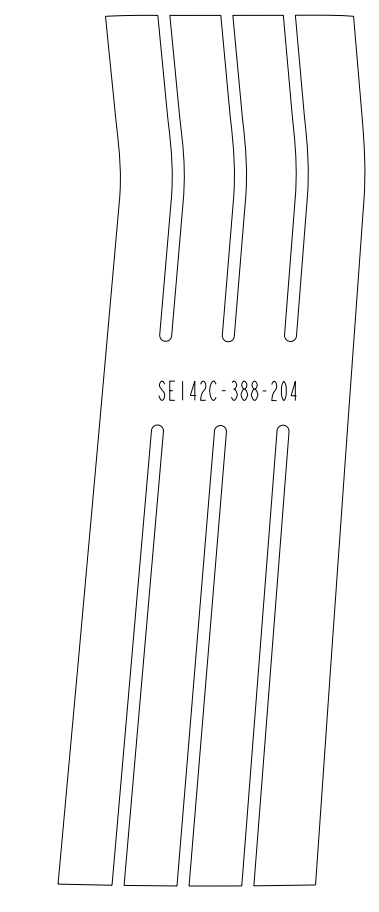


INSTANCE SE142C-388_FLAT_202

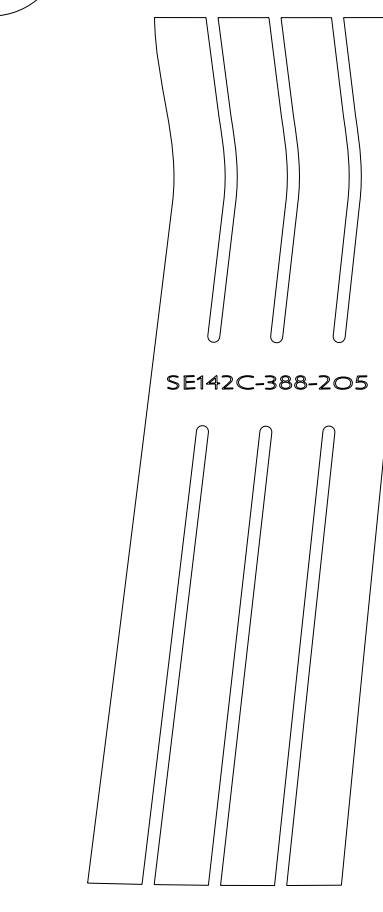


INSTANCE SE142C-388_FLAT_203

64

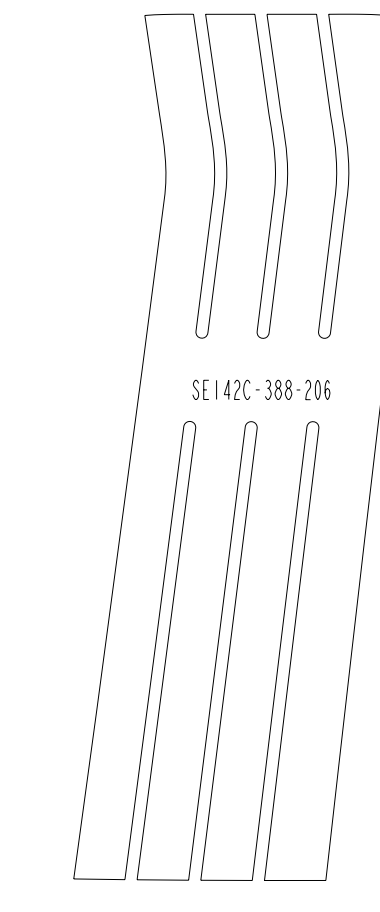


INSTANCE SE142C-388_FLAT_204



INSTANCE SE142C-388_FLAT_205

65

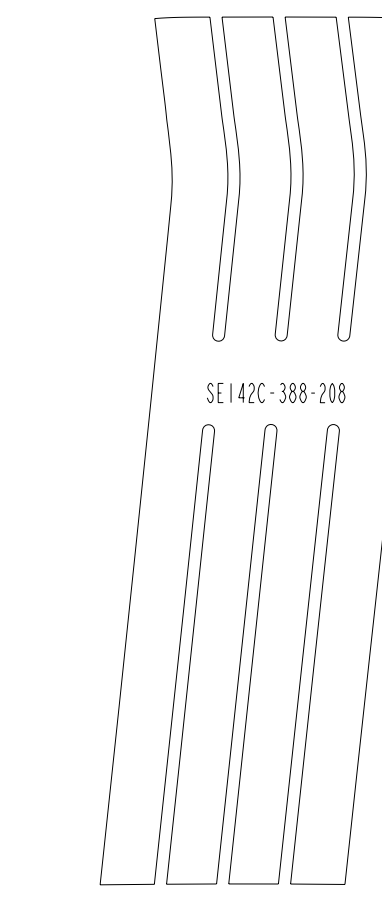


INSTANCE SE142C-388_FLAT_206

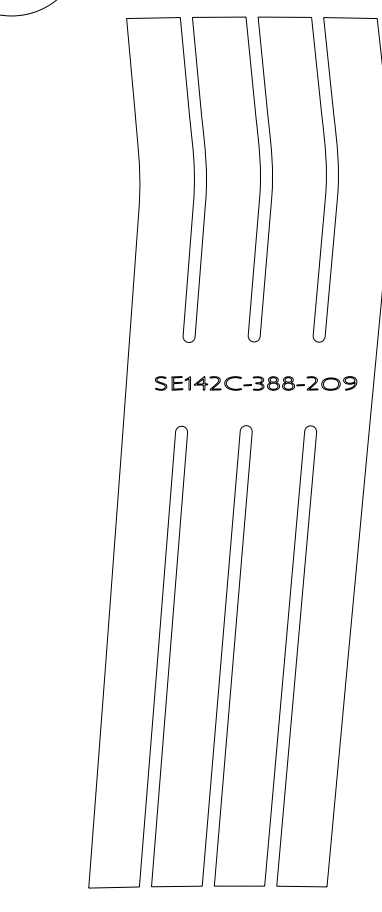


INSTANCE SE142C-388_FLAT_207

66

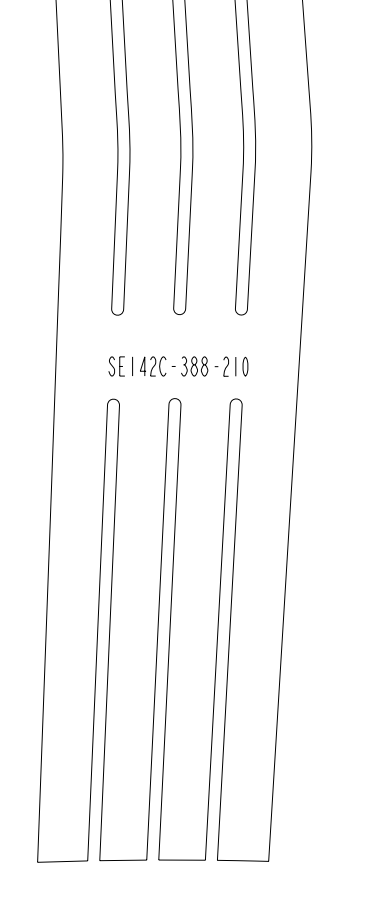


INSTANCE SE142C-388_FLAT_208

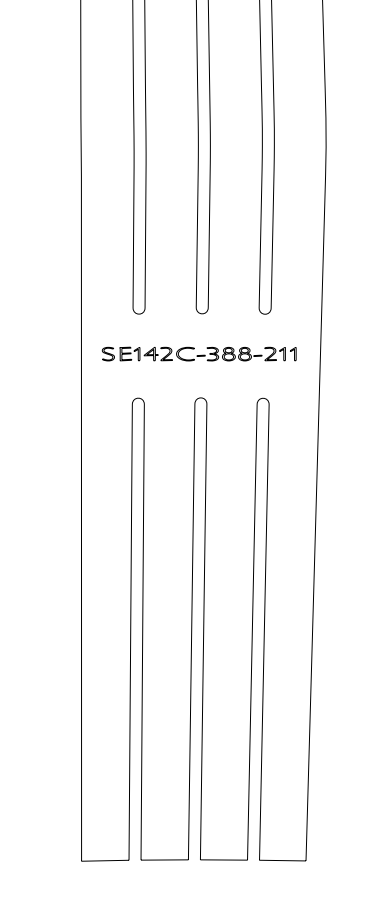


INSTANCE SE142C-388_FLAT_209

67

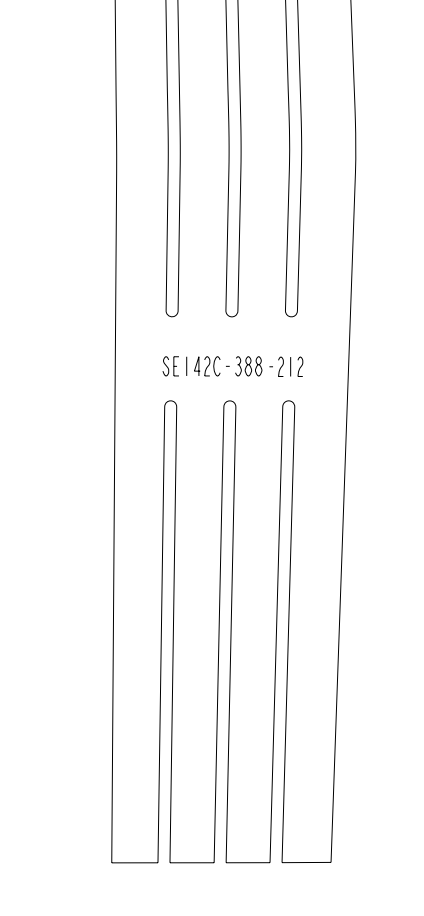


INSTANCE SE142C-388_FLAT_210

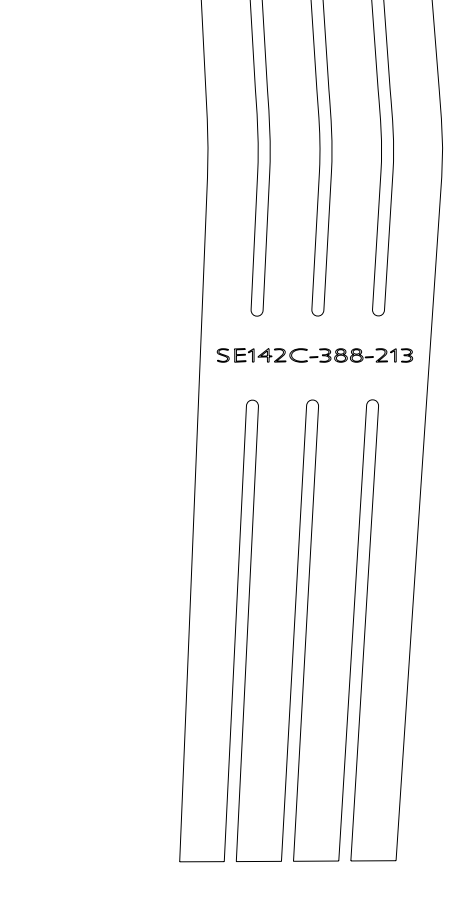


INSTANCE SE142C-388_FLAT_211

68

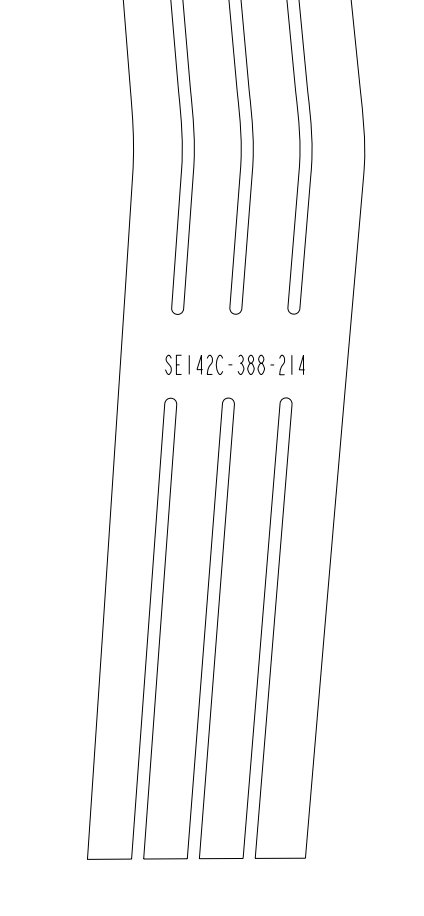


INSTANCE SE142C-388_FLAT_212

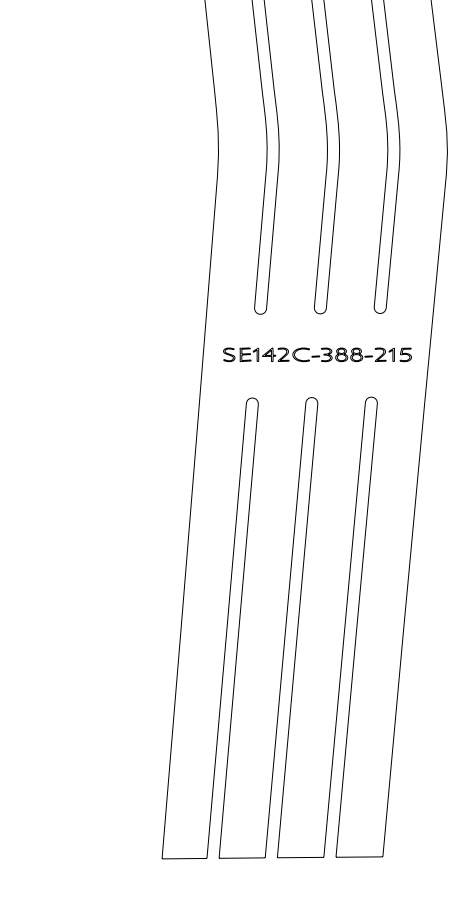


INSTANCE SE142C-388_FLAT_213

69

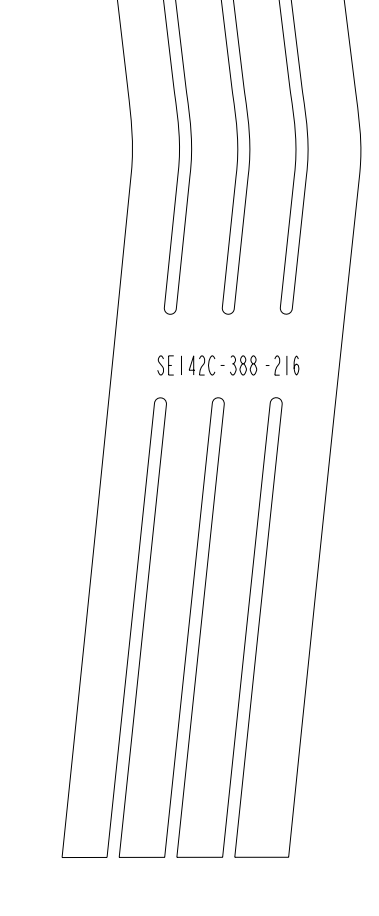


INSTANCE SE142C-388_FLAT_214

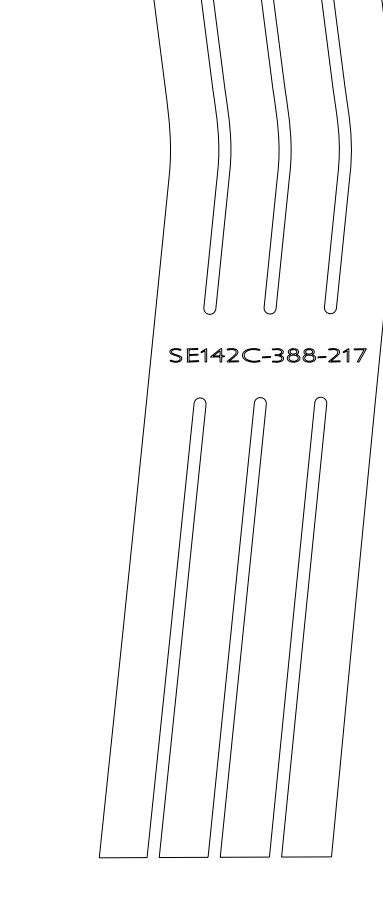


INSTANCE SE142C-388_FLAT_215

70

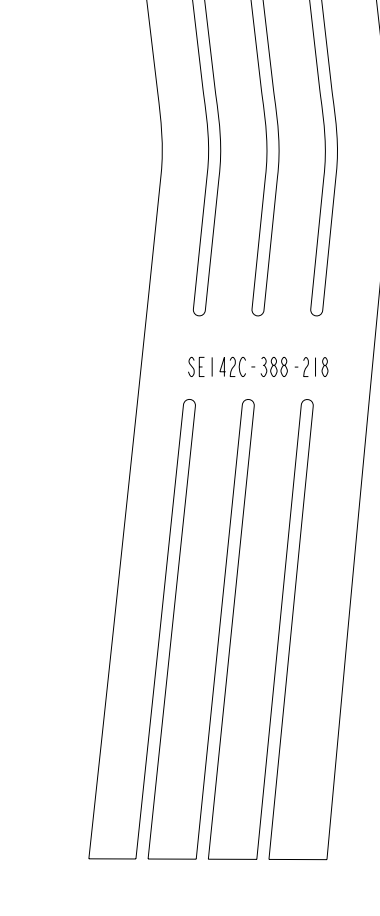


INSTANCE SE142C-388_FLAT_216

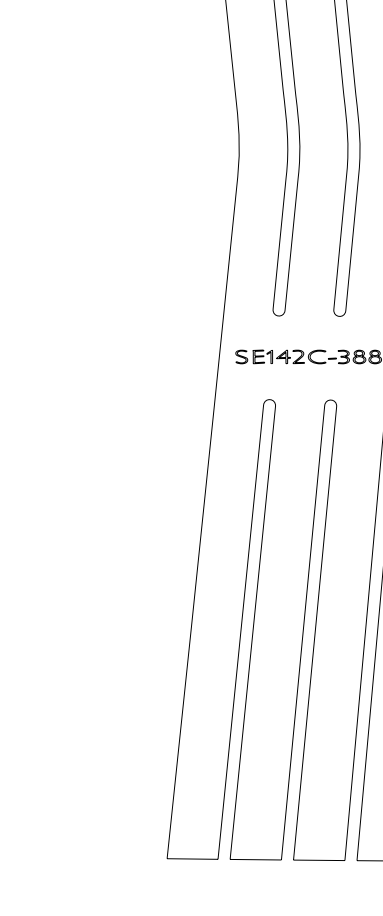


INSTANCE SE142C-388_FLAT_217

71

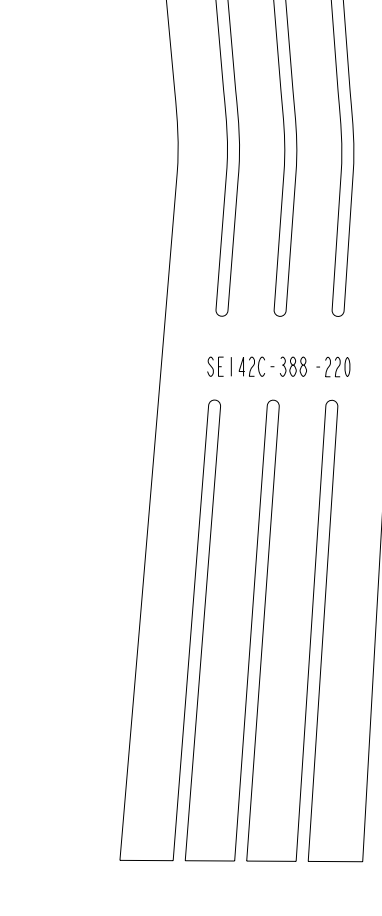


INSTANCE SE142C-388_FLAT_218

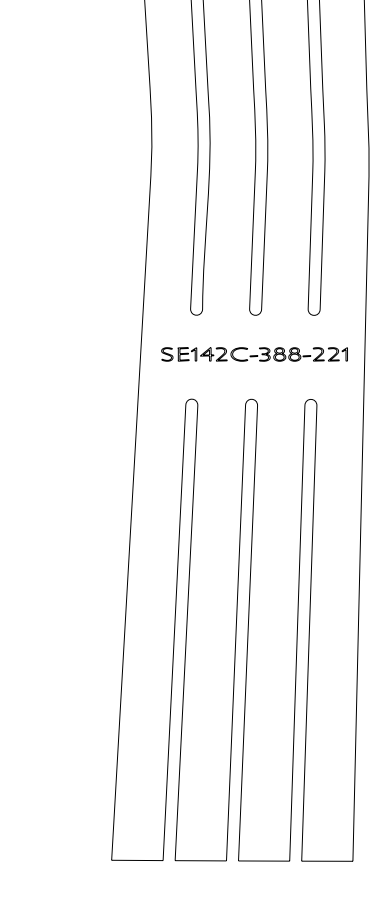


INSTANCE SE142C-388_FLAT_219

72



INSTANCE SE142C-388_FLAT_220

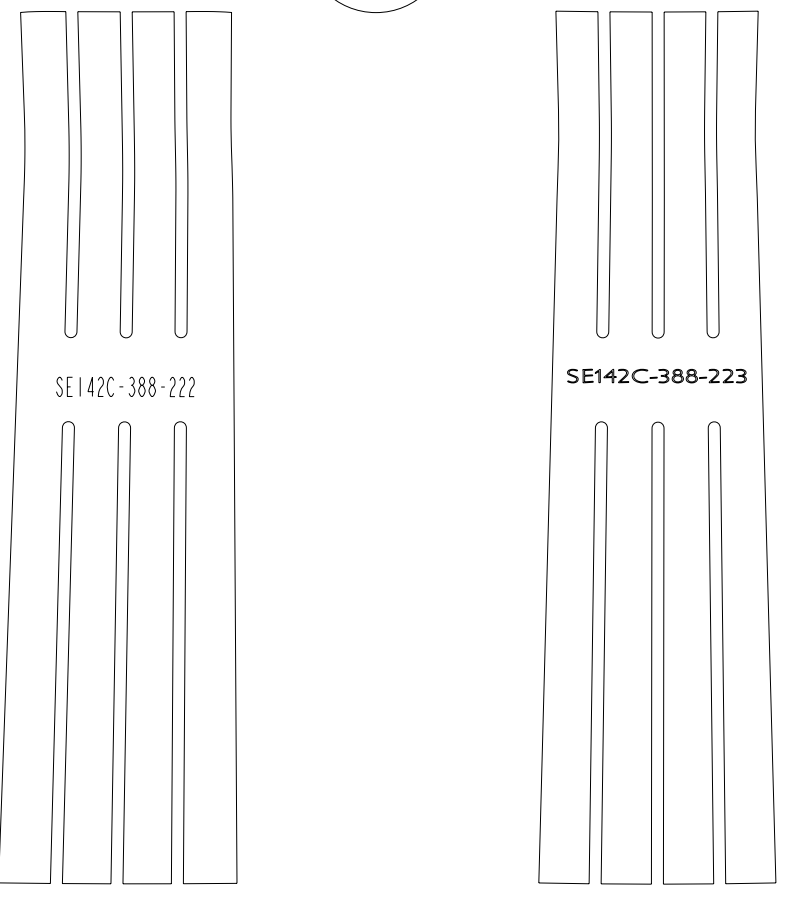


INSTANCE SE142C-388_FLAT_221

RELEASED FOR FABRICATION / INSTALLATION
PPPL Drafting:

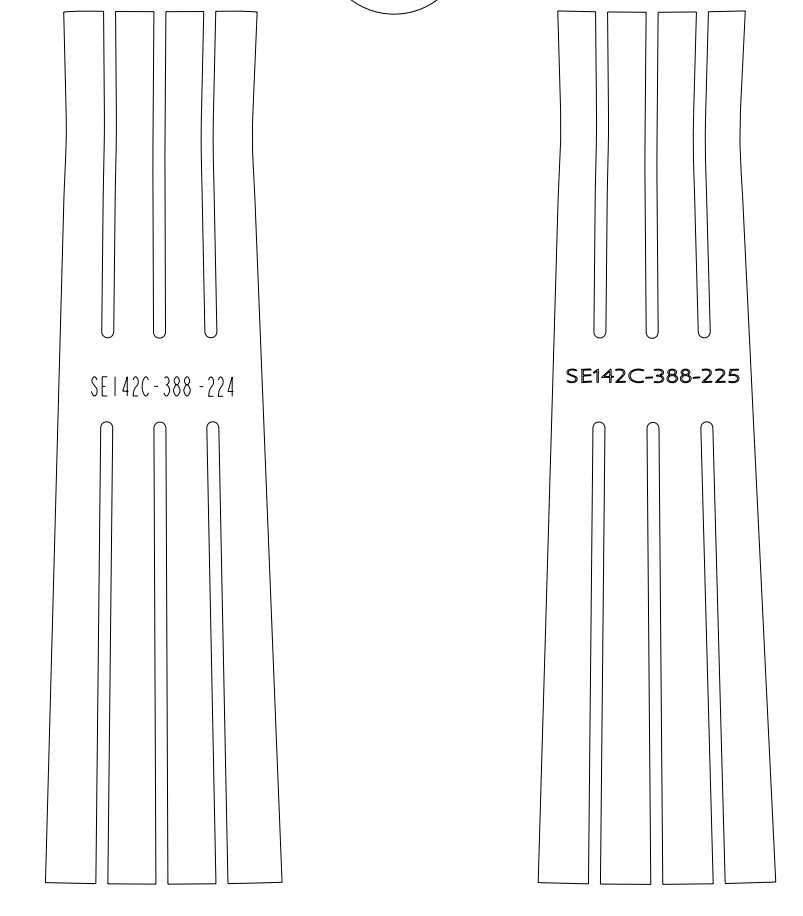
Oak Ridge National Laboratory managed for the DEPARTMENT OF ENERGY under U.S. GOVERNMENT CONTRACT DE-AC05-00OR22725 UT-BATTELLE, LLC. Oak Ridge, Tennessee PROJECT NAME:									
UT-BATTELLE NATIONAL COMPACT STELLARATOR EXPERIMENT MODULAR COIL TYPE - C SIDE "A" LOWER BOTTOM CHILL PLATE FLAT PATTERN LAYOUT									
VERSION NO.	PLANT	BLDG	FL	SHT	OF	TYPE	CLASS		
1	X-10	5700	3	4	5	S	U		
RELEASE LEVEL		SE142C-388							
Fabrication									

73



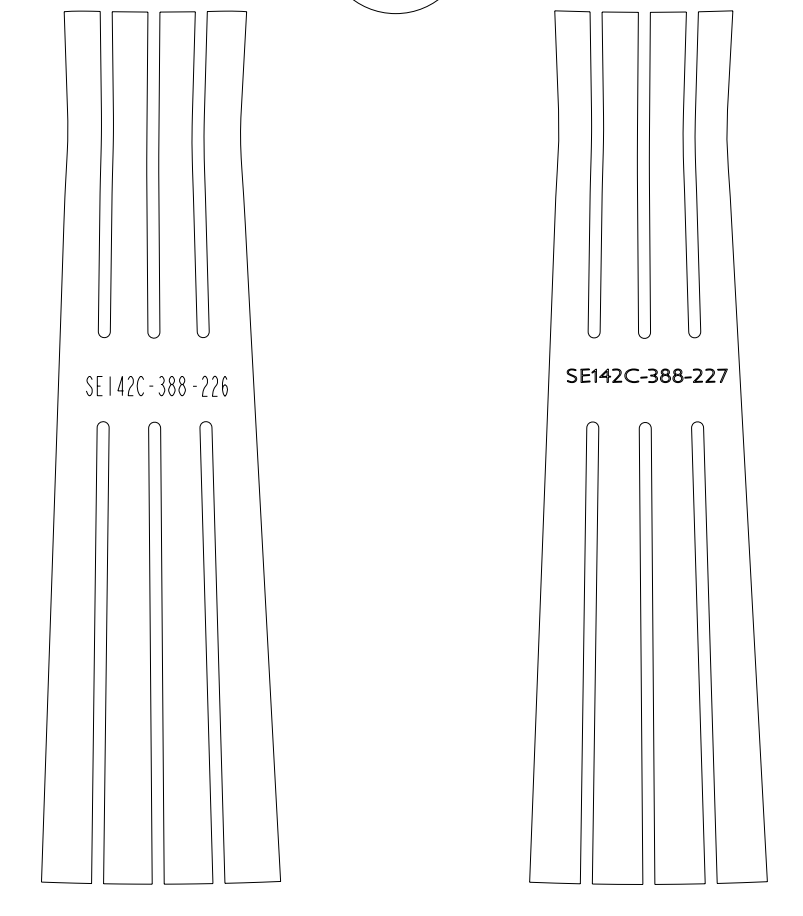
INSTANCE SE142C-388_FLAT_222 INSTANCE SE142C-388_FLAT_223

74



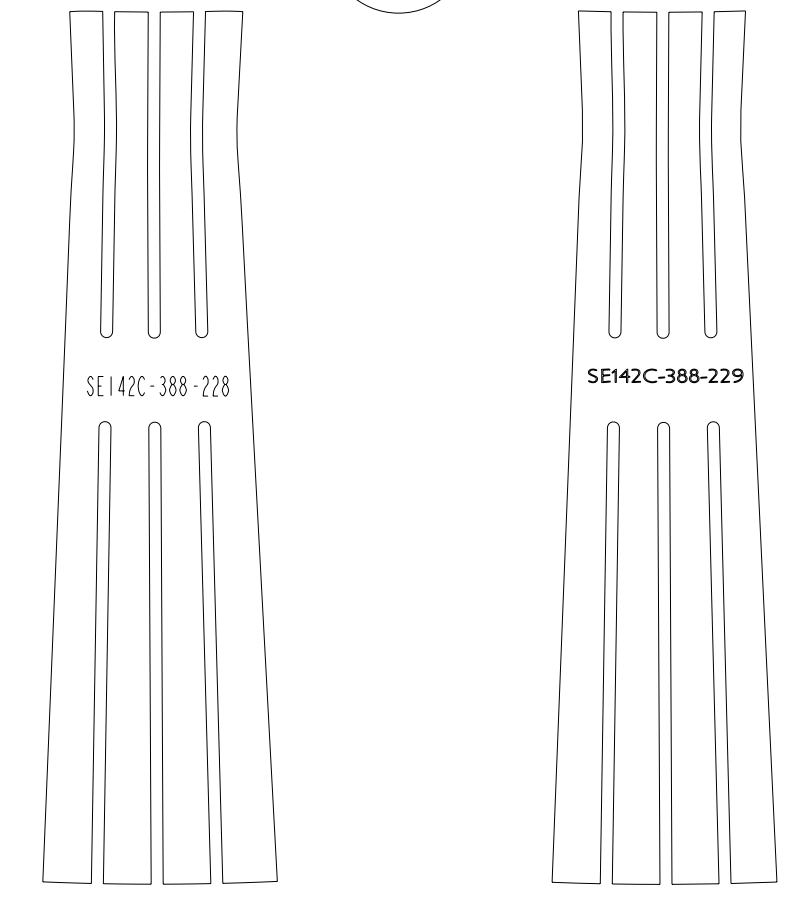
INSTANCE SE142C-388_FLAT_224 INSTANCE SE142C-388_FLAT_225

75



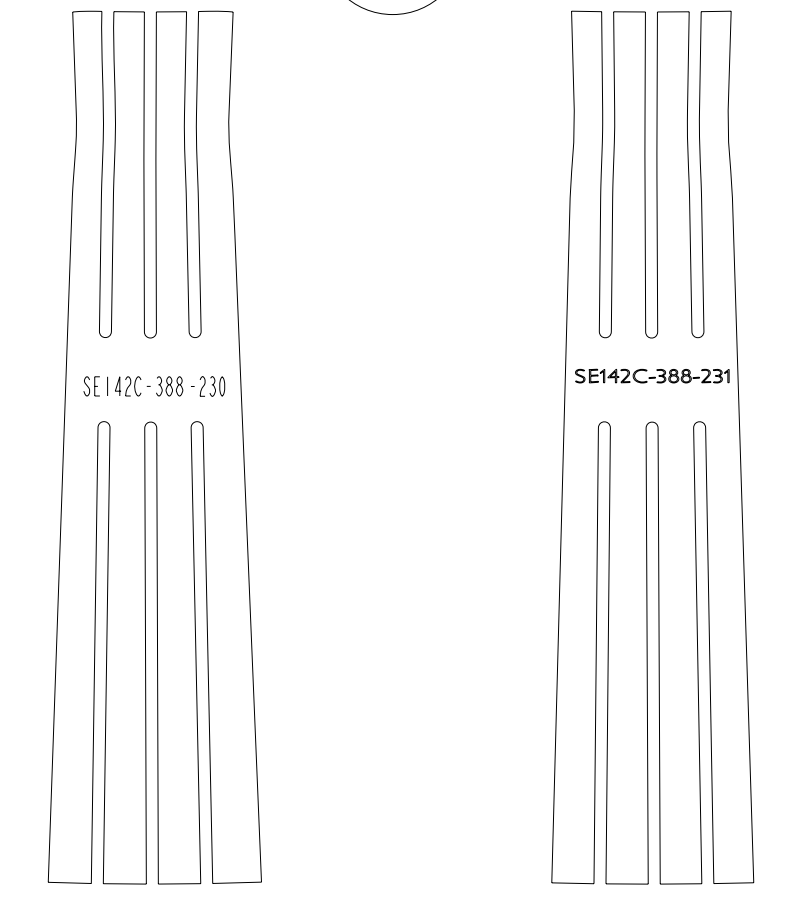
INSTANCE SE142C-388_FLAT_226 INSTANCE SE142C-388_FLAT_227

76



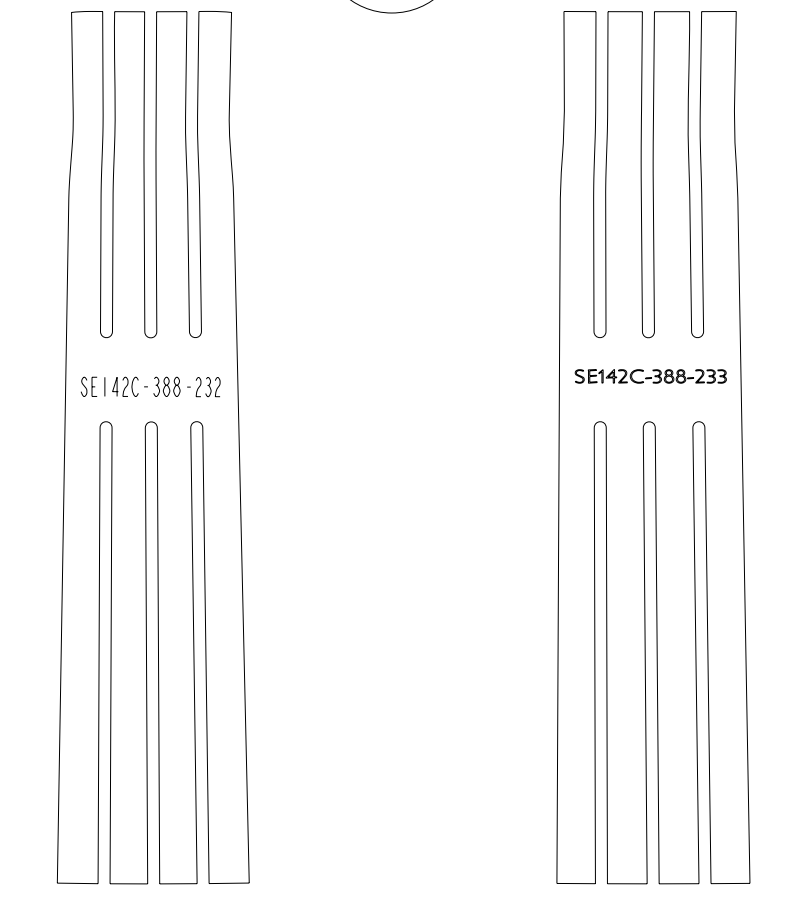
INSTANCE SE142C-388_FLAT_228 INSTANCE SE142C-388_FLAT_229

77



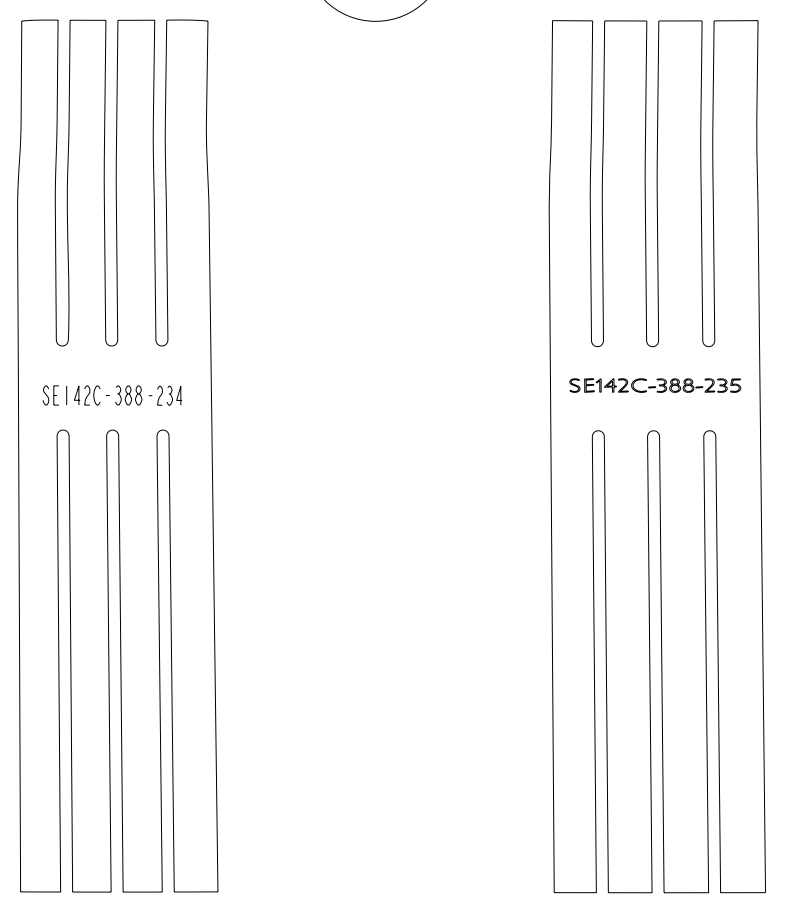
INSTANCE SE142C-388_FLAT_230 INSTANCE SE142C-388_FLAT_231

78



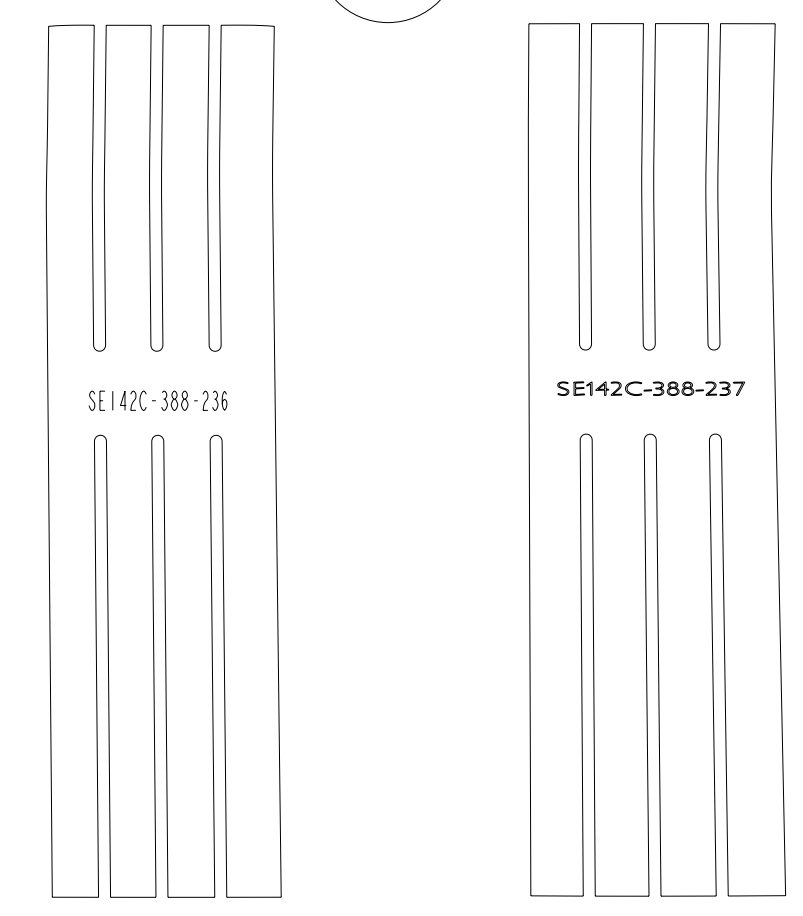
INSTANCE SE142C-388_FLAT_232 INSTANCE SE142C-388_FLAT_233

79



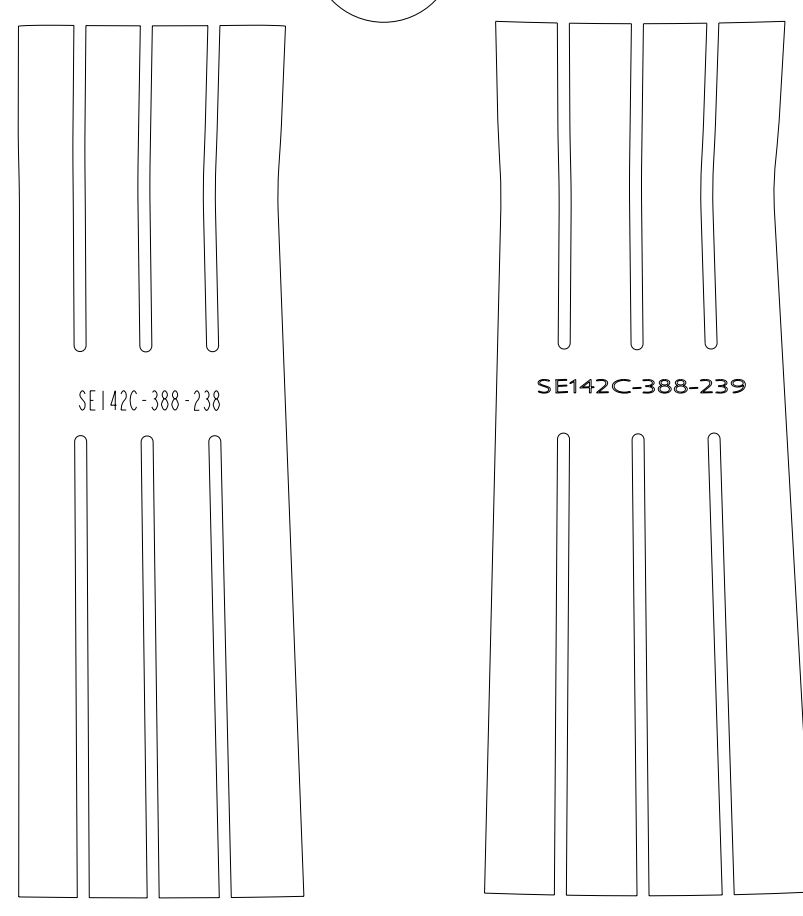
INSTANCE SE142C-388_FLAT_234 INSTANCE SE142C-388_FLAT_235

80



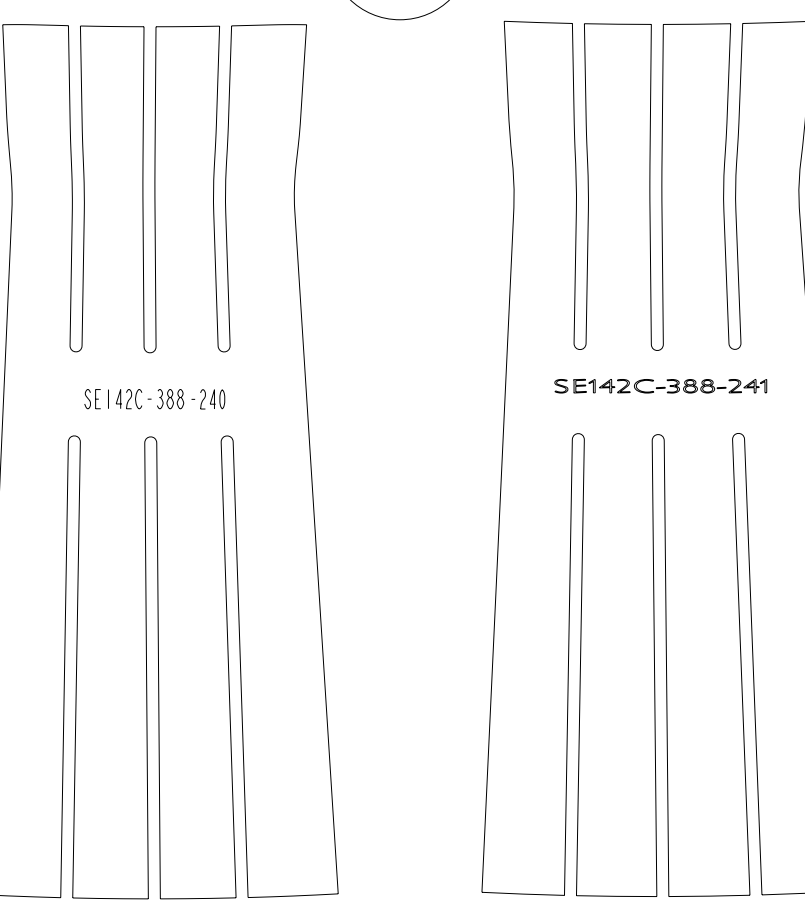
INSTANCE SE142C-388_FLAT_236 INSTANCE SE142C-388_FLAT_237

81



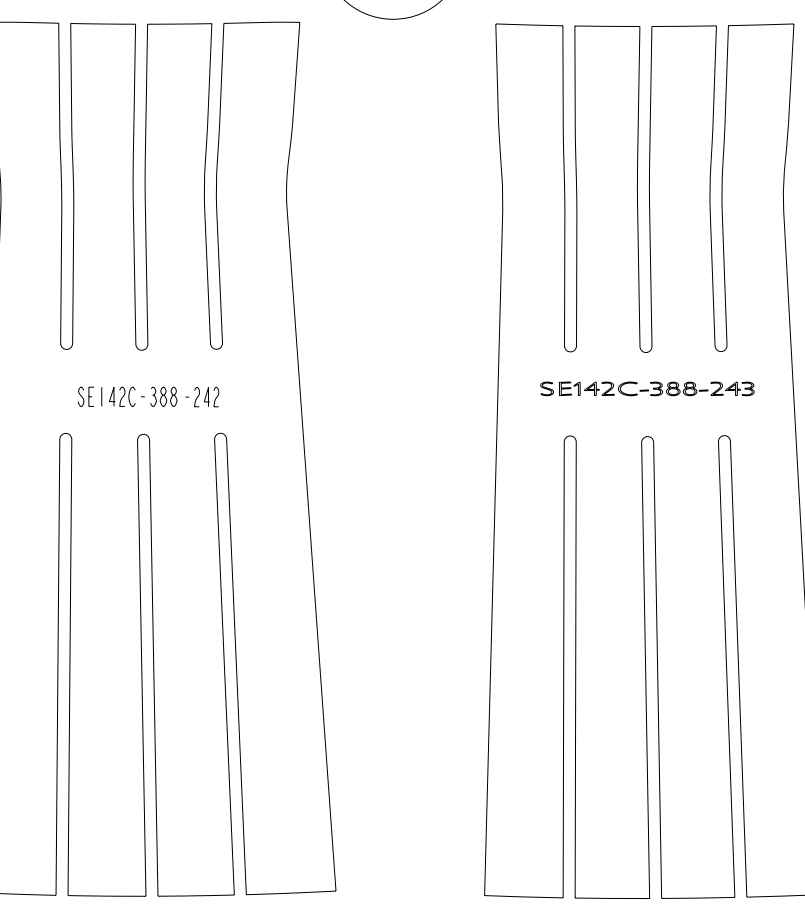
INSTANCE SE142C-388_FLAT_238 INSTANCE SE142C-388_FLAT_239

82



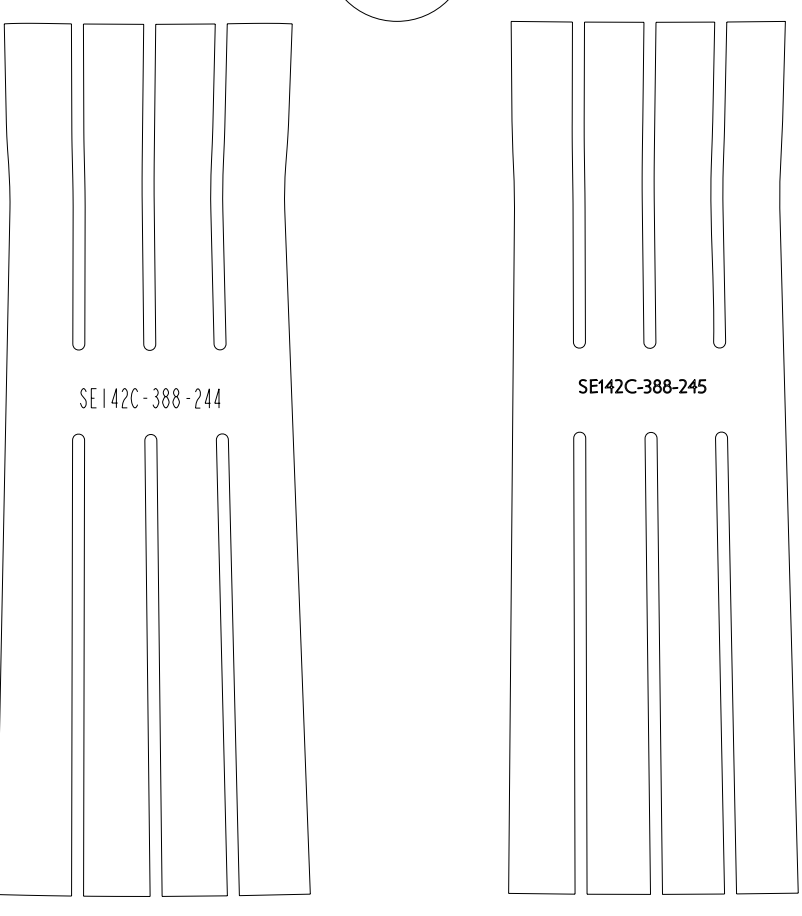
INSTANCE SE142C-388_FLAT_240 INSTANCE SE142C-388_FLAT_241

83



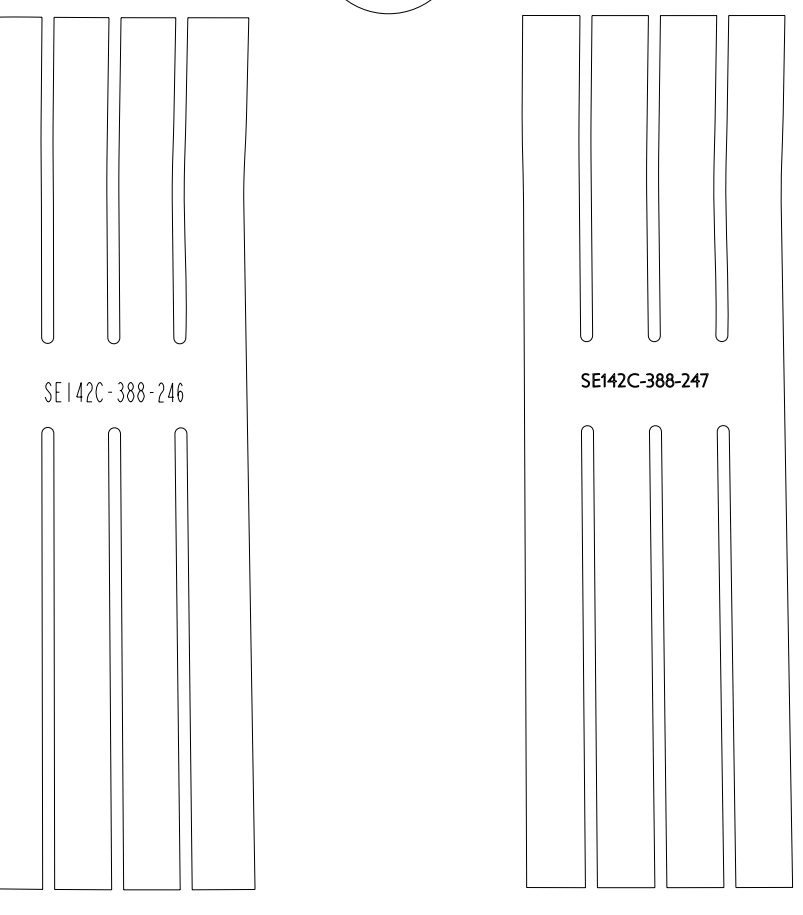
INSTANCE SE142C-388_FLAT_242 INSTANCE SE142C-388_FLAT_243

84



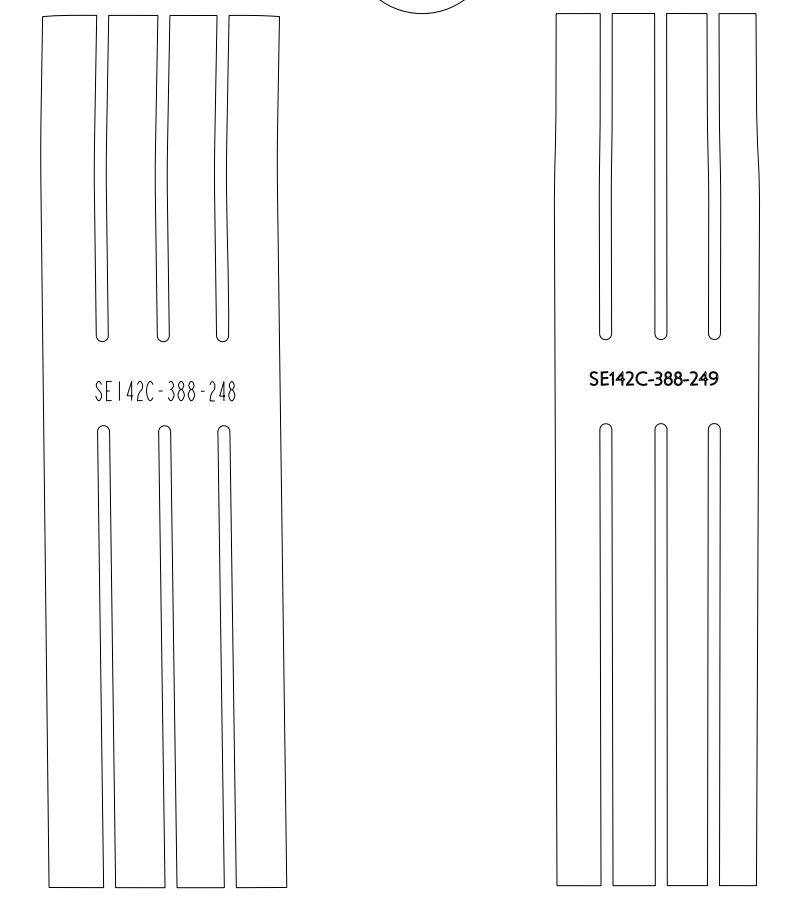
INSTANCE SE142C-388_FLAT_244 INSTANCE SE142C-388_FLAT_245

85



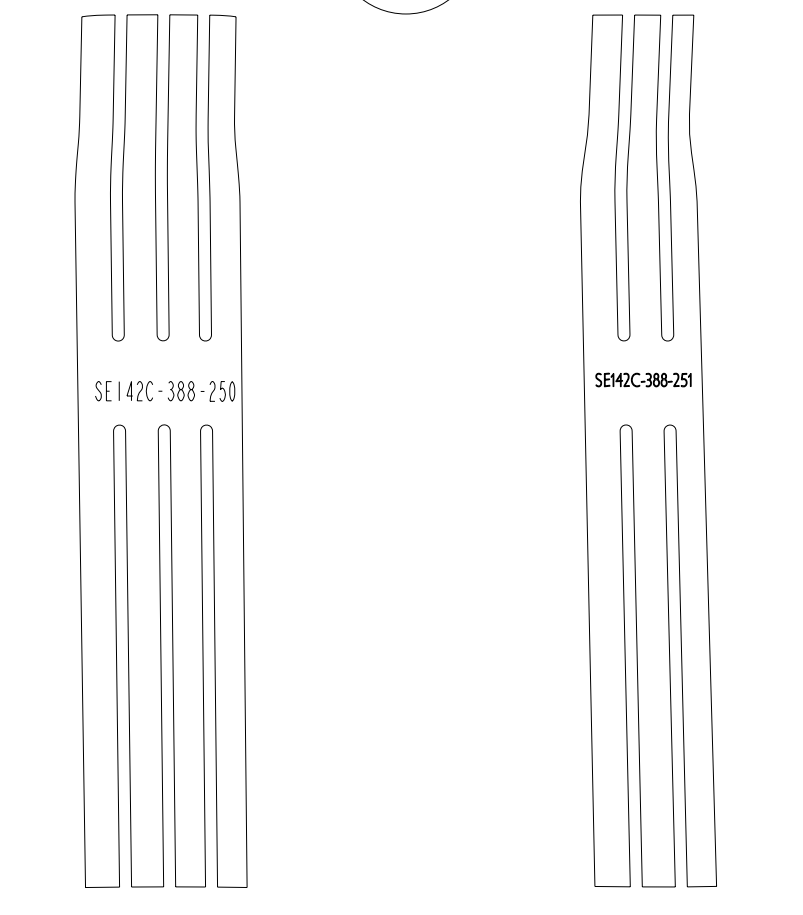
INSTANCE SE142C-388_FLAT_246 INSTANCE SE142C-388_FLAT_247

86



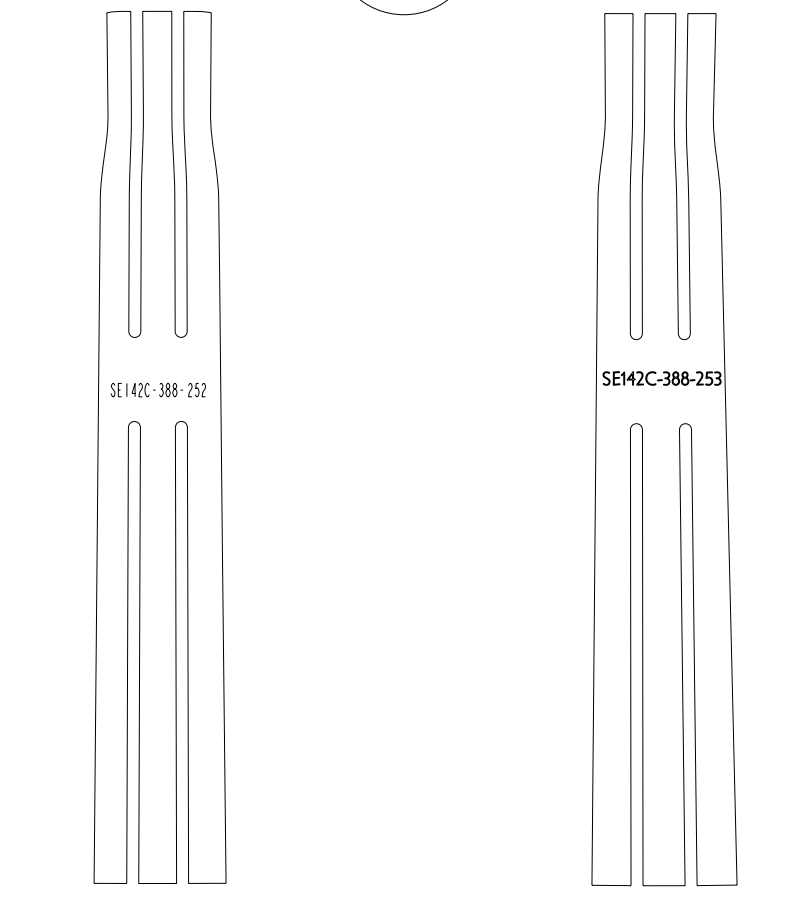
INSTANCE SE142C-388_FLAT_248 INSTANCE SE142C-388_FLAT_249

87



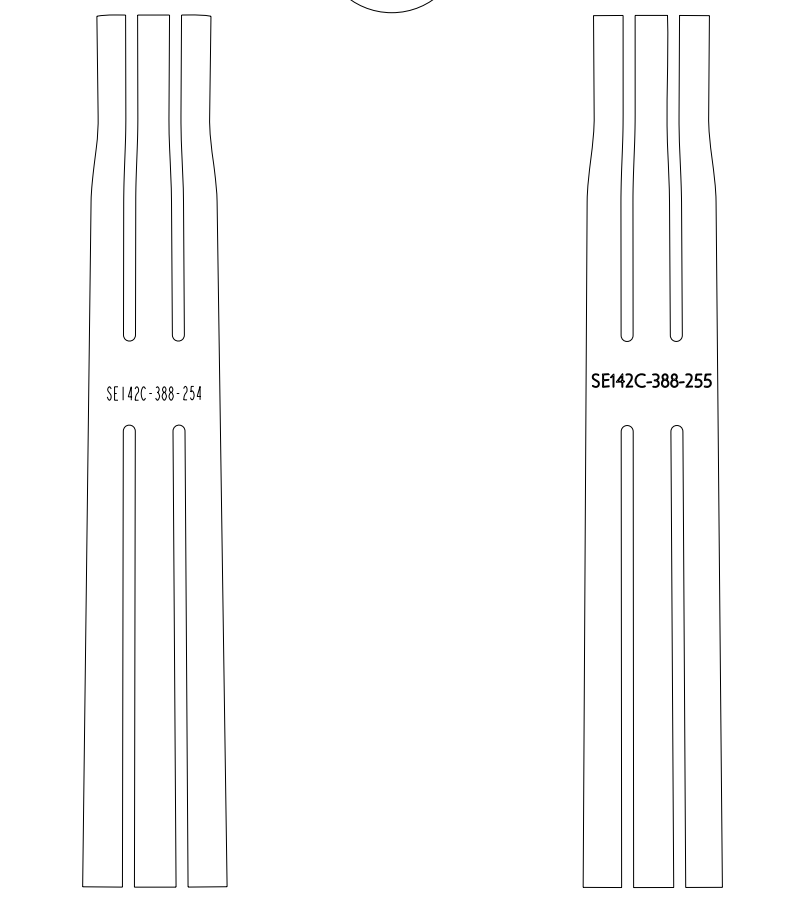
INSTANCE SE142C-388_FLAT_250 INSTANCE SE142C-388_FLAT_NEW_251

88



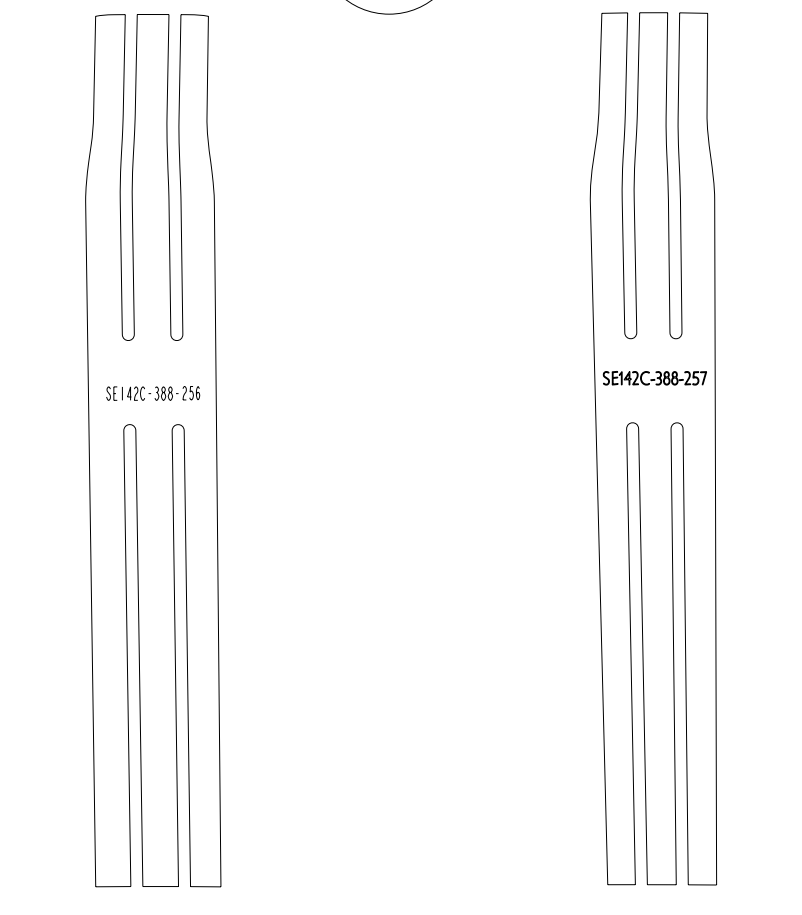
INSTANCE SE142C-388_FLAT_NEW_252 INSTANCE SE142C-388_FLAT_NEW_253

89



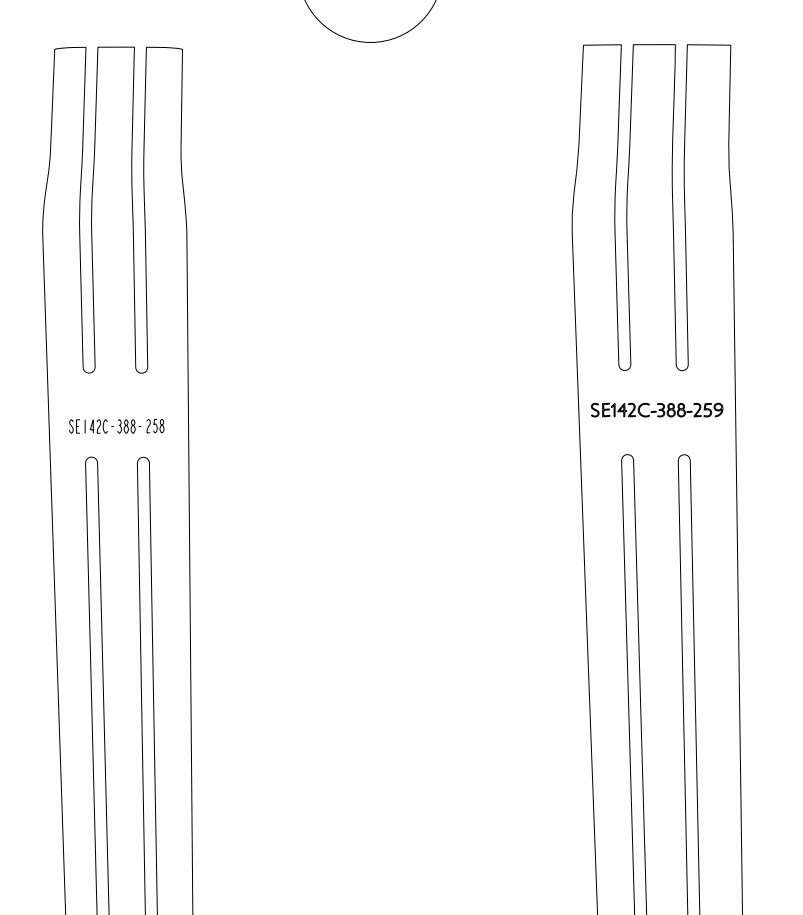
INSTANCE SE142C-388_FLAT_NEW_254 INSTANCE SE142C-388_FLAT_NEW_255

90



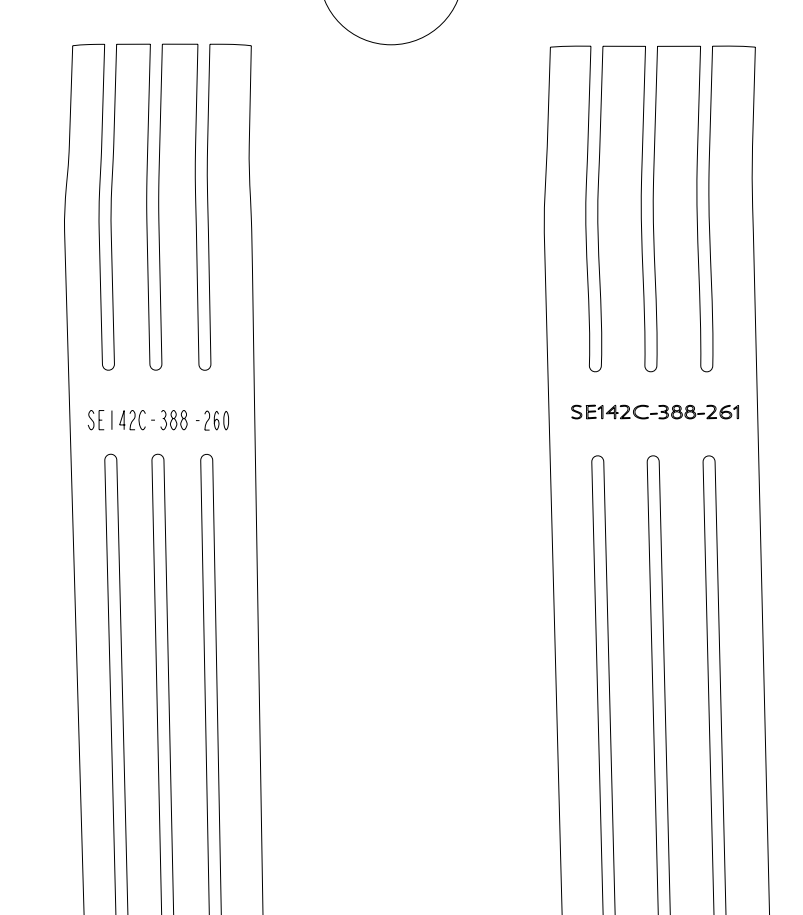
INSTANCE SE142C-388_FLAT_NEW_256 INSTANCE SE142C-388_FLAT_NEW_257

91



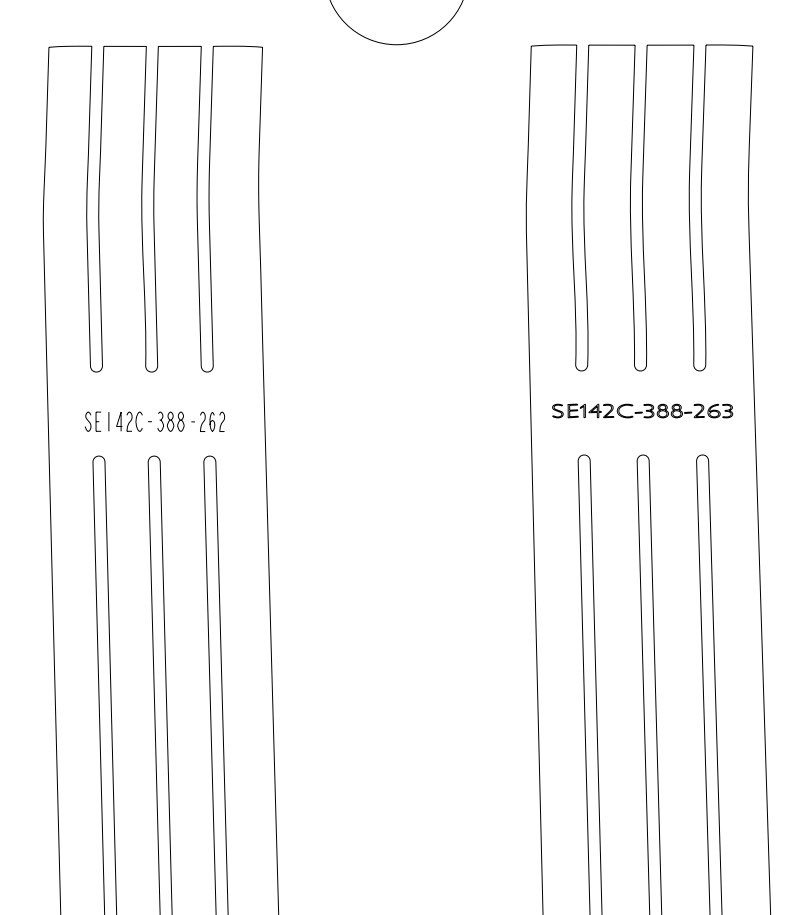
INSTANCE SE142C-388_FLAT_NEW_258 INSTANCE SE142C-388_FLAT_NEW_259

92



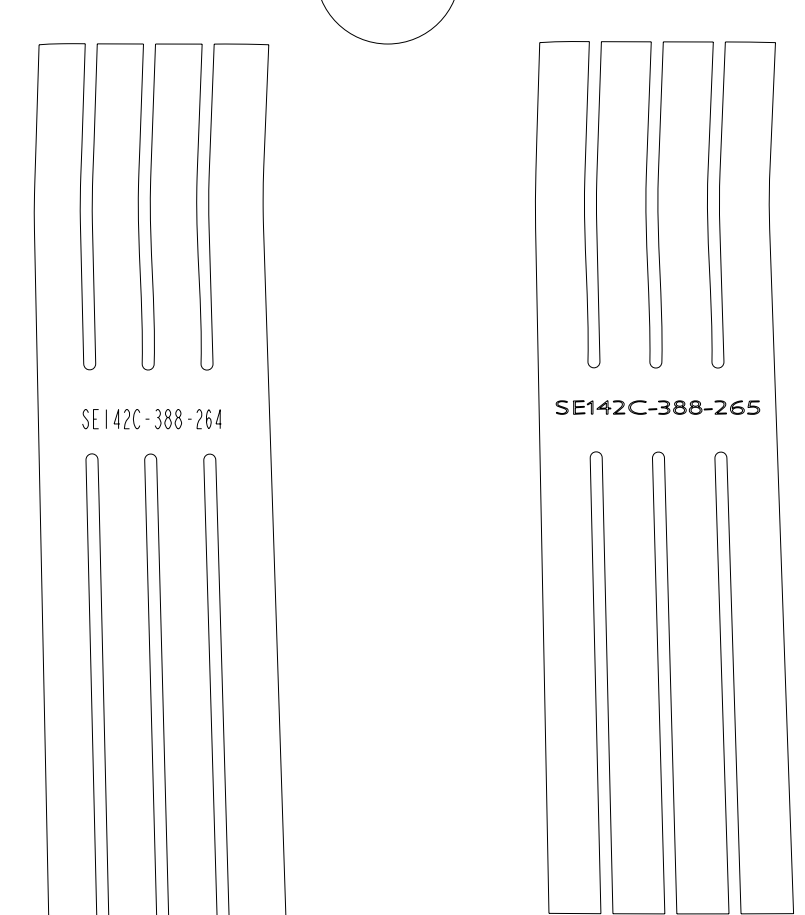
INSTANCE SE142C-388_FLAT_260 INSTANCE SE142C-388_FLAT_261

93



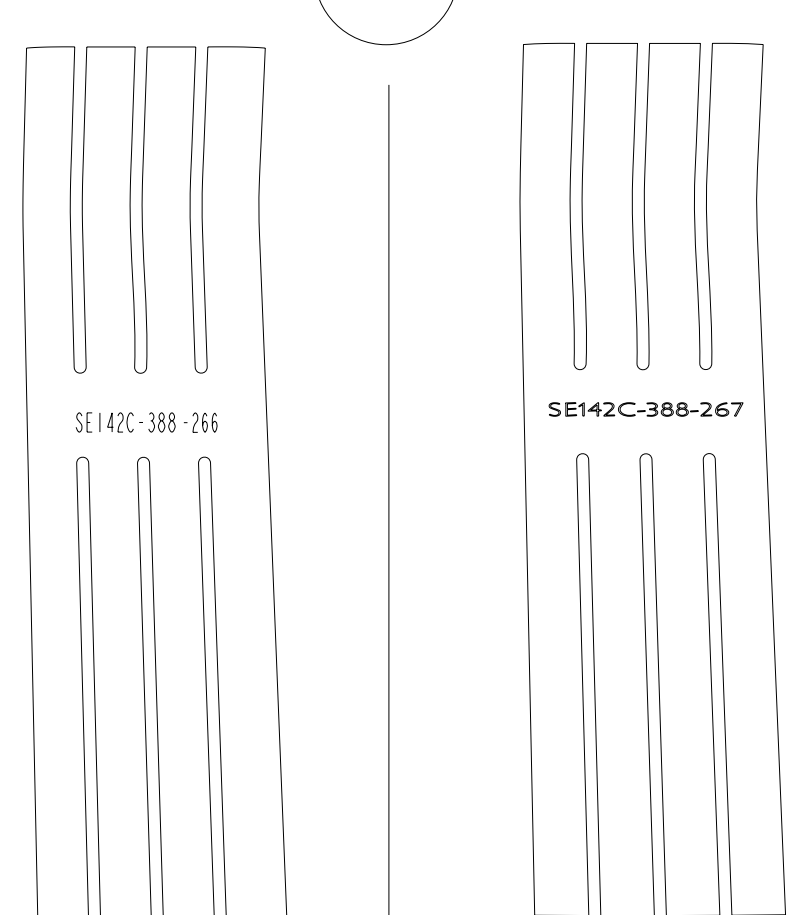
INSTANCE SE142C-388_FLAT_262 INSTANCE SE142C-388_FLAT_263

94



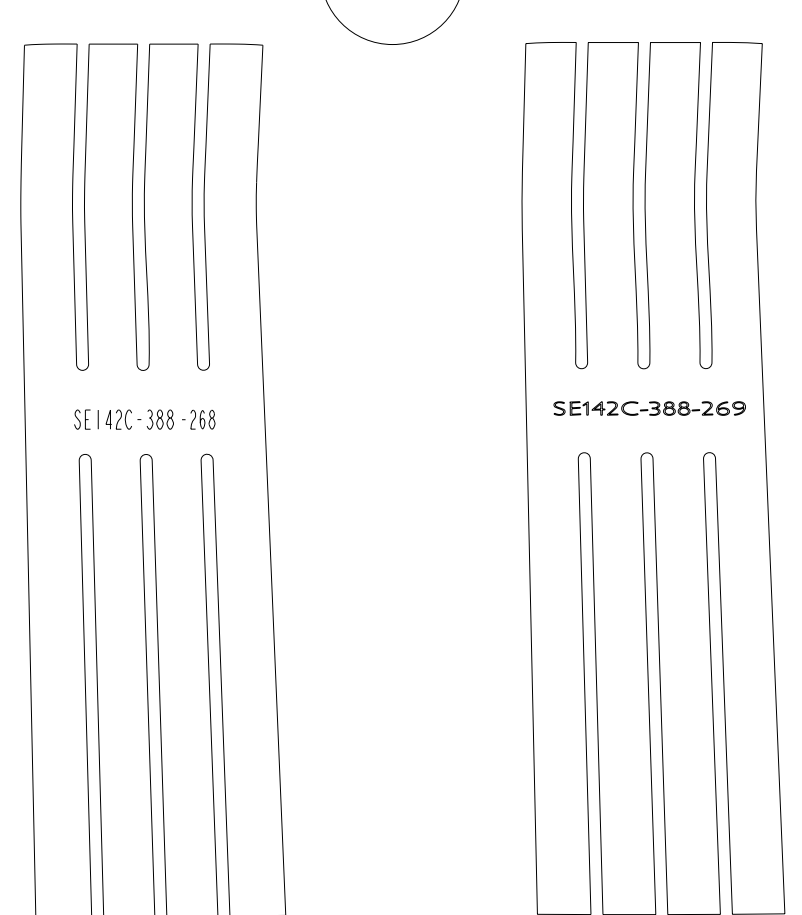
INSTANCE SE142C-388_FLAT_264 INSTANCE SE142C-388_FLAT_265

95



INSTANCE SE142C-388_FLAT_266 INSTANCE SE142C-388_FLAT_267

96



INSTANCE SE142C-388_FLAT_268 INSTANCE SE142C-388_FLAT_269

2 THESE PARTS TO BE NEMA GRADE G11CR MATERIAL

RELEASED FOR FABRICATION / INSTALLATION PPPL Drafting:

UT-BATTELLE										Oak Ridge National Laboratory managed for the DEPARTMENT OF ENERGY under U.S. GOVERNMENT CONTRACT DE-AC05-00OR22725 UT-BATTELLE, LLC. Oak Ridge, Tennessee									
NATIONAL COMPACT STELLARATOR EXPERIMENT										PROJECT NAME									
MODULAR COIL TYPE - C										SIDE "A" LOWER BOTTOM CHILL PLATE									
FLAT PATTERN LAYOUT										CLASS									
VERSION NO.	PLANT	BLDG	FL	SHT	OF	TYPE	CLASS	U			REV			2					
4	X-10	5700	3	5	5	S	U	SE142C-388			Fabrication								