

NCSX

Product Specification

Modular Coil Winding Forms

NCSX-CSPEC-141-03-10

November 15, 2005

Prepared By: _____

P. Heitzenroeder, Technical Representative for Modular Coil (WBS 14) Procurements

Concurred By: _____

D. Williamson, WBS Manager for Modular Coils (WBS 14)

Concurred By: _____

F. Malinowski, PPPL Procurement QA Representative

Approved by: _____

B. Nelson, Responsible Line Manager for Stellarator Core Systems (WBS 1)

<p>Controlled Document THIS IS AN UNCONTROLLED DOCUMENT ONCE PRINTED. Check the NCSX Engineering Web prior to use to assure that this document is current.</p>

Record of Revisions

Revision	Date	Description of Changes
Rev. 0	7/1/2004	Initial issue
Rev 1.	7/5/2004	Revised Table 6-1
Rev 2	7/20/2004	Updated Table 6-1 to Production Drawings
Rev 3	8/4/2004	Updated Table 6-1 – Drawings se141-116 to se141-116r1 and Drawing se141-116-nf.stp to se141-116-NFr1.stp
Rev 4	9/17/2004	Updated specification to reflect final negotiated configuration: <ul style="list-style-type: none"> • Added vendor information on alloy in Sections 3.1.1.1 and • Revised Sections 4.2.5 and 4.2.7.2.1; and • Updated Table 6-1
Rev 5	9/23/2004	Updated Table 6-1
Rev 6	1/14/2005	Updated Table 6-1
Rev 7	04/19/2005	Incorporated ECP-026 (MCWF Fast Response), ECP-028 (RFD-14-001), and RFD-14-002. Changes made include: <ul style="list-style-type: none"> • Removed reference to a specific operation date in Section 1.1. • Updated Table 3.2 to reflect correct units; • Updated and/or revised Sections: 3.1.1.6.3; 3.1.1.7; 3.2.3.2.3; 4.2.1; 4.2.2; 4.2.2.5 (New); 4.2.8.1; 4.2.8.2; 6.1; and 6.2. • Added Appendix A which identifies the high stress regions.

Rev 8

07/12/05

Incorporated ECP-033. Changes include:

- Added ASTM A751-01, “Standard Test Methods, Practices, and Terminology for Chemical Analysis of Steel Products,” to Section 2.1.1.
- Revised Section 3.1.1.1: Added note about alloy composition ranges;
- Revised Table 3-1: Changed Si from 0.5 to 0.7% max.
- Added Table 3-2 for weld material composition;
- Revised Table 3-4 : Changed yield from 34 ksi (234.4 MPa) to 30 ksi (206.8 Mpa);
- Revised Section 3.1.1.4 to change surface finish requirements.
- Revised Section 3.1.1.6.1: Clarified visual inspection requirements;
- Revised Section 3.2.3.1 to clarify stress relieving processes.
- Revised Sections 3.2.3.2.2 and 3.2.3.2.3 concerning weld repair to address weld repairs due to machining errors;
- Revised Section 4.2.1: clarified requirements for chemical analysis for each ladle and weld wire lot;
- Revised Section 4.2.2: Deleted the requirement for both transverse and longitudinal test specimens and clarified test specimen details;
- Revised Sections 4.2.2.1, 4.2.2.2, 4.2.2.3:: Added “ for the three zones...” for emphasis;
- Revised Section 4.2.2.4: Revised additional testing material requirements; and
- Revised Section 4.2.2.5: Clarified wording for weld filler properties requirements.
- Revised Table 6-1 and Table 6-3 to reflect latest approved models and drawings and approved RFDs.

Rev 9

08/8/05

Incorporated RFD-14-004 and ECP-035. Changes include:

- Updated drawings set per ECN#5009R1
- Revised Table 3-1 reflect the change in chemical composition requirements for phosphorus and sulfur.
- Updated Table 6-1 added reference to new Appendix B to provide complete listing of drawings and their applicable revisions.
- Added new Appendix B to provide complete listing of drawings and their applicable revisions.

Rev 10

11/15/05

Incorporated RFD-14-005 RFD-14-006, RFD-14-008, and RFD-14-009R1; incorporated ECNs 5016 and 5026; and incorporated ECP-038. Changes include changes in requirements, clarifications and/or correction of omissions, and updated information on drawings and models and RFDs:

- Changes in Requirements:
 - Revised Section 4.2.4 to add the requirement for separate reporting of surface finish inspections in the tee area.
 - Revised Section 3.1.1.7 to clarify radiographic inspection requirements as per MSS SP 54.
 - Restored Section 3.1.1.8 to clarify and simplify inspection requirements within the high stress areas; flaw size changed to 0.080" major dimension in the web region of the tee. The base of the flange radiographic inspection requirement was removed.
 - Revised Section 3.2.3.2.2.3 to state that any defect (either surface or subsurface) that exceeds the defect size and depth, should be repaired. Eliminated any references to NCR requirement.
 - Revised Section 4.2.6 to increase dimension inspection coverage of flange of the tee.
 - Revised Sections 3.1.1.6.2, 4.2.7.2.1, and 4.2.7.2.2 to add Level I liquid penetrant inspections for post-machining acceptance criteria.
 - Revised Section 4.2.8 to delete references to "pre-machining" and "post-machining" inspections for internal defects.
 - Clarifications and/or Correction of Omissions:
 - Revised Section 3.1.1.5 on mag. permeability: now in two sub-sections, 3.1.1.5.1 which addresses the casting, including upgrades, and 3.1.1.5.2, which addresses fasteners and hardware. Also revised Section 4.2.4 accordingly.
 - Updated Section 3.1.1.1, to modify or add Table 3-1, Table 3-2, Table 3-3, and Table 3-4 to clarify the chemical composition requirements for the casting alloy and weld wire.
 - Revised Section 3.1.1.6.1 to delete the reference to SCRATA graded references for machined surfaces.
 - Revised Sections 3.2.1 and 3.2.2.1 to clarify wording.
 - Revised Section 4.2.3.1 and 4.2.3.2 concerning electrical testing.
 - Revised Section 4.2.5 and expanded into four subparagraphs (Sections 4.2.5.1, 4.2.5.2, 4.2.5.3, and 4.2.5.4) added to clarify requirements.
-

Rev 10	11/15/05	<ul style="list-style-type: none">• Updated information on Drawings/Models and RFDs<ul style="list-style-type: none">○ Updated Table 6-1 to provide updated listing of zip files for ProE, STEP, and pdf files. These drawings and models incorporate changes outlined in RFD-14-009R1 and ECNs 5016 and 5026. Appendix B and Read Me file on Supplier FTP Site provide most recent revision for all drawings.○ Added new updated Table 6-2 to replace Appendix B which was deleted.○ Renumbered and updated Table 6-3 to list all approved Requests for Deviation. Added RFDs 14-005, 14-006, 14-008, and 14-009R1.○ Updated Figure 7-1 to show high stress region.
--------	----------	---

Table of Contents

1	INTRODUCTION AND SCOPE.....	1
1.1	INTRODUCTION.....	1
1.2	SCOPE.....	2
2	APPLICABLE DOCUMENTS.....	2
2.1	CODES AND STANDARDS	2
2.1.1	American Society for Testing and Materials (ASTM) Documents	2
2.1.2	Manufacturers Standardization Society (MSS) of the Valve and Fittings Industry, Inc. Documents ...	2
3	REQUIREMENTS ITEM DEFINITION.....	2
3.1	CHARACTERISTICS	3
3.1.1	Performance.....	3
3.1.1.1	Chemical Composition of the Casting Alloy and Weld Wire	3
3.1.1.2	Mechanical Properties of the Casting Alloy and Welding Material.....	3
3.1.1.3	Electrical Requirements for the Poloidal Electrical Break	4
3.1.1.4	Surface Finish.....	4
3.1.1.5	Relative Magnetic Permeability	4
3.1.1.5.1	Relative Magnetic Permeability of Winding Form.....	4
3.1.1.5.2	Relative Magnetic Permeability of Winding Form Fasteners and Miscellaneous Hardware ..	4
3.1.1.6	External Defects	4
3.1.1.6.1	Visual Examination	4
3.1.1.6.2	Liquid Penetrant Examination of Casting.....	5
3.1.1.6.3	Liquid Penetrant Inspection of High Stress Regions	5
3.1.1.7	Radiographic Inspection.....	5
3.1.1.8	Inspection for Internal Defects in the High Stress Areas	5
3.2	DESIGN AND CONSTRUCTION	5
3.2.1	Production Drawings	5
3.2.2	Dimensions and Tolerances	6
3.2.2.1	Measurement	6
3.2.2.2	Fiducials	6
3.2.3	Standards of Manufacture	6
3.2.3.1	Heat Treatment.....	6
3.2.3.2	Repairs	6
3.2.3.2.1	Non-Weld Repairs	6
3.2.3.2.2	Weld Repairs	6
3.2.3.2.2.1	Minor Weld Repairs.....	7

3.2.3.2.2.2	Major Weld Repairs.....	7
3.2.3.2.2.3	Repairs in High Stress Areas	7
4	QUALITY ASSURANCE PROVISIONS.....	7
4.1	RESPONSIBILITY FOR INSPECTION	7
4.2	QUALITY CONFORMANCE INSPECTIONS / VERIFICATIONS.....	7
4.2.1	Verification of Chemical Composition	7
4.2.2	Verification of Mechanical Properties of the Casting Alloy and Weld Material	8
4.2.2.1	Verification of Yield Strength and Elastic Modulus	9
4.2.2.2	Verification of Ultimate Tensile Strength and Elongation	9
4.2.2.3	Verification of Charpy V-Notch Energy	9
4.2.2.4	Additional Test Material	10
4.2.2.5	Weld Filler Material	10
4.2.3	Verification of the Electrical Properties of the Poloidal Break.....	10
4.2.3.1	Mid-Plane Insulation	10
4.2.3.2	Bolt Insulation.....	10
4.2.4	Verification of Surface Finish.....	10
4.2.5	Verification of Relative Magnetic Permeability	10
4.2.5.1	Weld Repairs	11
4.2.5.2	Cast Surfaces	11
4.2.5.3	Machined Surfaces	11
4.2.5.4	Fasteners and Hardware	11
4.2.6	Verification of Dimensions and Tolerances.....	11
4.2.7	Inspection for External Defects	11
4.2.7.1	Visual Inspection.....	11
4.2.7.2	Liquid Penetrant Inspections.	11
4.2.7.2.1	General Liquid Penetrant Inspection	11
4.2.7.2.2	Post Machining Liquid Penetrant Inspection.....	12
4.2.8	Inspection for Internal Defects.....	12
5	PREPARATION FOR DELIVERY	12
5.1	MARKING	12
5.2	CLEANING	12
5.3	CRATING	12
5.4	SHIPPING	12
6	TABLES OF APPROVED MODELS/DRAWINGS AND DEVIATIONS	13
6.1	TABLES OF MODELS AND DRAWINGS	13

6.2 TABLE OF APPROVED DEVIATIONS 14

7 APPENDICES 14

7.1 APPENDIX A: IDENTIFICATION OF HIGH STRESS REGIONS FOR PRODUCTION MCWF 14

List of Figures

Figure 1-1 Typical Machined Modular Coil Winding Form 1

Figure 4-1 Definition of Zones for Test Specimens 9

Figure 7-1 – Identification of High Stress Zones 15

Figure 7-2 – High Stress Region Identification for Type-C MCWF 16

Figure 7-3 – High Stress Region Identification for Type-B MCWF 17

Figure 7-4– High Stress Region Identification for Type-A MCWF 18

List of Tables

Table 3-1 Weight % of Chemical Constituents in Casting Alloy 3

Table 3-2 Weight % of Chemical Constituents of Bare Weld Wire 3

Table 3-3 Weight % of Chemical Constituents of Covered Welding Electrodes 3

Table 3-4 Minimum Mechanical Properties 4

Table 6-1 Production Modular Coil Winding Form Models and Drawings 13

Table 6-2 Updated Drawings List 13

Table 6-3 Approved Deviations 14

Table 7-1 Definition of High Stress Region Based on Flange Hole Numbers 15

1 INTRODUCTION AND SCOPE

1.1 INTRODUCTION

Stellarators are a class of magnetic fusion confinement devices characterized by three dimensional magnetic fields and plasma shapes and are the best-developed class of magnetic fusion devices after the tokamak. The stellarator concept has greatly advanced since its invention by Dr. Lyman Spitzer, the founding director of the Princeton Plasma Physics Laboratory (PPPL), during the 1950's. A traditional stellarator uses only external magnetic fields to shape and confine the plasma. The National Compact Stellarator Experiment (NCSX) is the first of a new class of stellarators known as "compact stellarators." The differentiating feature of a compact stellarator is the use of plasma current in combination with external fields to accomplish shaping and confinement. This combination permits a more compact device. The NCSX project is managed by PPPL in partnership with the Oak Ridge National Laboratory. This Subcontract will be administered by PPPL.

The winding forms are austenitic (non-magnetic) stainless steel structures that are one of the most important components of the modular coils and the NCSX device. The winding forms perform two very important functions: (1) the conductors are wound on the winding forms, and are located in precise position by these forms; (2) the winding forms serve as their structural support during assembly and operation. There are three (3) distinct shapes of winding forms. Six (6) of each are required for a total of eighteen (18). The winding forms shall be manufactured by casting followed by machining. A machined winding form is illustrated in Figure 1-1. This figure is intended to be illustrative only and not to be used for manufacture; specific models and drawings shall provide the technical details needed for manufacturing.



Figure 1-1 Typical Machined Modular Coil Winding Form

1.2 SCOPE

This specification establishes the manufacturing and acceptance requirements for the National Compact Stellarator Experiment (NCSX) Modular Coil Winding Forms. There are three different types of Winding Forms, identified as type A, B, and C.

2 APPLICABLE DOCUMENTS

2.1 CODES AND STANDARDS

2.1.1 American Society for Testing and Materials (ASTM) Documents 1

- A703/A703M-03 “Standard Specification for Steel Castings, General Requirements for Pressure Containing Parts”.
- A751-01 “Standards Test Methods, Practices, and Terminology for Chemical Analysis of Steel Products”.
- A800/A800M-01 “Standard Practice for Steel Casting, Austenitic Alloy, Estimating Ferrite Content Thereof”.
- A802/A802M-95 “Standard Practice for Steel Castings, Surface Acceptance Standards, Visual Examination”.
- A903/A903/M-99 “Standard Specification for Steel Castings, Surface Acceptance Standards, Magnetic Particle, and Liquid Penetrant Inspection”.

2.1.2 Manufacturers Standardization Society (MSS) of the Valve and Fittings Industry, Inc. Documents 2

- MSS SP-54-2001: “Quality Standard for Steel Castings for Valves, Flanges, Fittings, and Other Piping Components; Radiographic Inspection Method”.

3 REQUIREMENTS ITEM DEFINITION

The items covered by this Specification are Type A, Type B, and Type C winding forms. This includes the castings, all associated machining, all poloidal break hardware, and all associated processing, testing, quality control, documentation, packaging, and shipping.

1 Publications are available from

<http://www.astm.org/cgi-bin/SoftCart.exe/index.shtml?E+mystore>.

2 Publications are available from Manufacturers Standardization Society of the Valve and Fittings Industry, Inc., 127 Park Street, NE, Vienna, Virginia 22180p, Tel. (703)-281-6613.

3.1 CHARACTERISTICS

3.1.1 Performance

3.1.1.1 Chemical Composition of the Casting Alloy and Weld Wire

The winding forms are to be cast from an alloy with its chemical composition being in accordance with Table 3-1. The chemical composition of the weld material shall comply with Table 3-2 for bare wire electrodes or Table 3-3 for covered electrodes.

	<u>C</u>	<u>Mn</u>	<u>Si</u>	<u>Cr</u>	<u>Ni</u>	<u>Mo</u>	<u>P</u>	<u>S</u>	<u>N</u>
Min. %	.040	2.3	--	18.0	13.0	2.1	--	--	.24
Max. %	.070	2.8	0.7	18.5	13.5	2.5	0.035	0.025	.28

Table 3-1 Weight % of Chemical Constituents in Casting Alloy

	<u>C</u>	<u>Mn</u>	<u>Si</u>	<u>Cr</u>	<u>Ni</u>	<u>Mo</u>	<u>P</u>	<u>S</u>	<u>Cu</u>	<u>N</u>
Min. %	--	5.0	--	19.0	15.0	2.5	--	--	--	--
Max. %	0.03	9.0	1.0	22.0	18.0	4.5	0.03	0.02	0.3	0.3

Table 3-2 Weight % of Chemical Constituents of Bare Weld Wire

	<u>C</u>	<u>Mn</u>	<u>Si</u>	<u>Cr</u>	<u>Ni</u>	<u>Mo</u>	<u>P</u>	<u>S</u>	<u>Cu</u>	<u>N</u>
Min. %	--	2.5	--	16.5	14.0	2.5	--	--	--	0.1
Max. %	0.04	4.0	0.9	19.5	17.0	3.5	0.03	0.025	0.5	0.2

Table 3-3 Weight % of Chemical Constituents of Covered Welding Electrodes

3.1.1.2 Mechanical Properties of the Casting Alloy and Welding Material

The properties of the winding form casting alloy and welding material for each casting shall meet or exceed the mechanical properties requirements stated in Table 3-4. Note that the properties required are identical for casting alloy and weld material except for elongation.

Temperature	77K	293K
Elastic Modulus	21 Msi (144.8 Gpa)	20 Msi (137.9 Gpa)
0.2% Yield Strength	72 ksi (496.4 Mpa)	30 ksi (206.8 Mpa)
Tensile Strength	95 ksi (655 Mpa)	78 ksi (537.8 Mpa)
Elongation (Casting)	32%	36%
Elongation (Weld Material)	25%	28%
Charpy V – notch Energy	35 ft. lbs. (47.4 J)	50 ft-lbs (67.8 J)

Table 3-4 Minimum Mechanical Properties

3.1.1.3 Electrical Requirements for the Poloidal Electrical Break

The resistance of the mid-plane insulation and of the bolt insulation shall be >500 kohms when tested at 100 VDC.

3.1.1.4 Surface Finish

The two “L” machined surfaces of the tee must have a RMS (root mean square) surface finish <125 μ-inches. All other machined surfaces must have a RMS (root mean square) surface finish <250 μ-inches. The finished part shall be free of sharp edges and burrs.

3.1.1.5 Relative Magnetic Permeability

3.1.1.5.1 Relative Magnetic Permeability of Winding Form

The local relative magnetic permeability of any point in the winding form (including the base metal and weld repairs) shall not exceed 1.02.

3.1.1.5.2 Relative Magnetic Permeability of Winding Form Fasteners and Miscellaneous Hardware

The local relative magnetic permeability of any modular coil fasteners and hardware shall not exceed 1.02.

3.1.1.6 External Defects

3.1.1.6.1 Visual Examination

Cast surfaces shall be free of visual external defects as defined in ASTM A802/A802M (using SCRATA graded reference comparators) Level III. Discontinuities not meeting the evaluation criteria shall be repaired per Section 3.2.3.2. (Repairs).

3.1.1.6.2 Liquid Penetrant Examination of Casting

Each casting shall be free of external defects as defined in ASTM A903/A903M Level II for as-cast areas and Level I for machined surfaces. Discontinuities not meeting the evaluation criteria shall be repaired per Section 3.2.3.2 (Repairs).

3.1.1.6.3 Liquid Penetrant Inspection of High Stress Regions

High stress areas, as defined in Appendix A (7.1), shall be free of external defects as defined in ASTM A903/A903M Level I when checked by liquid penetrant inspection. Discontinuities not meeting the evaluation criteria shall be repaired per Section 3.2.3.2.2.3 (Repairs in High Stress Areas).

3.1.1.7 Radiographic Inspection

Each casting shall be free of internal radiographic indications of defects as defined in MSS SP 54 for radiography. Defects exceeding these limits shall be repaired per Section 3.2.3.2 (Repairs).

3.1.1.8 Inspection for Internal Defects in the High Stress Areas

Each casting shall be free of internal defects exceeding 0.080" (major dimension) in the web region of the Tee in the High Stress Areas (as defined in Appendix A - 7.1) . Radiographic inspection or radiographic inspection in combination with ultrasonic (UT) inspections shall be used. Radiographic inspections shall be performed as defined in MSS SP 54. UT inspections shall be performed in accordance with procedures and personnel qualifications submitted to PPPL for approval prior to use. Defects exceeding these limits shall be repaired per Section 3.2.3.2 (Repairs) *if performed prior to any significant amount of machining has been accomplished*. Defects exceeding those limits which are identified after the winding form is significantly machined (i.e., within 0.25" of final dimensions) shall be reported on an NCR for evaluation. Repairs at that stage shall only be made if formally approved in the disposition of the NCR, and as defined in the NCR disposition.

3.2 DESIGN AND CONSTRUCTION

3.2.1 Production Drawings

These items shall be fabricated in accordance with the Pro/Engineer CAD files listed in Table 6-1. These files are located at the production winding form ftp site:

ftp://ftp.pppl.gov/pub/ncsx/manuf/production_winding_form

3.2.2 Dimensions and Tolerances

3.2.2.1 Measurement

Strict adherence to the dimensions and tolerances defined in the production drawings referenced in Section 3.2.1 is required. All dimensions are for 20 C; actual measurements shall be temperature compensated for 20 C.

3.2.2.2 Fiducials

The Supplier shall provide eighteen (18) or more permanent targets that are in known relationship to the CAD model of the winding form. Three (3) fiducials (spherical seats) shall be provided on each flange surface; four (4) targets shall be visible for each setup of machined features, and four (4) targets shall be visible from any exterior view of the winding form.

3.2.3 Standards of Manufacture

3.2.3.1 Heat Treatment

The casting shall be heat treated prior to final measurements of mechanical properties and relative magnetic permeability. In addition, stress relieving shall be performed after all major weld repairs (as defined in Section 3.2.3.2.2.2) and radiography (as defined in Section 3.1.1.7) is completed at the foundry. Minor weld repairs, as defined in Section 3.2.3.2.2.1, will be allowed without subsequent stress relief. The temperature and duration of the stress relieving process shall be reviewed and approved by PPPL. Heat treatment records shall be prepared and maintained as defined in S21 of ASTM Specification A703/A703M, and supplied to PPPL.

3.2.3.2 Repairs

3.2.3.2.1 Non-Weld Repairs

When defects are removed by grinding without violating minimum wall thickness requirements, the ground area shall be re-inspected by the original inspection method to verify complete defect removal. Discontinuities which are/will be completely removed during machining operations do not need to be weld repaired.

3.2.3.2.2 Weld Repairs

Weld repairs may be necessitated to (1) repair casting defects when defect removal involves excavation beyond wall thickness limitations or (2) to repair gouges or other machining errors. Welding procedure qualification tests shall include evidence of compliance with the magnetic permeability requirements of Section 3.1.1.5, as well as compliance with the mechanical properties listed in Table 3-4. Weld preparation shall be per Section S10 of ASTM Specification A703/A703M. Weld repairs must meet the inspection criteria of Sections 3.1.1.6 and 3.1.1.7.

3.2.3.2.2.1 Minor Weld Repairs

Weld repairs smaller than those defined in 3.2.3.2.2.2 below, as Major Weld Repairs, shall be welded in accordance with Section 3.2.3.2.2.

3.2.3.2.2.2 Major Weld Repairs

Repairs shall be considered major when the depth of the cavity prepared for welding exceeds 20 % of the actual wall thickness or 1 inch, whichever is smaller, or when the extent of the cavity exceeds approximately 10 in². Weld Maps (showing size and location as required by ASTM A703/A703M S20) shall be prepared for each major weld repair cycle. The weld map shall be delivered to PPPL no later than 24 hours after the start of welding. Major weld repairs during machining operations shall necessitate the issuance of a Non-Conformance Report to address the conditions that led to the need for welding. The weld repairs may proceed while the NCR is being dispositioned.

3.2.3.2.2.3 Repairs in High Stress Areas

Rejectable surface defects which are less than 0.125” in depth shall be eliminated by grinding. Rejectable surface defects which exceed this depth, as well as any rejectable subsurface defects shall be repaired per Section 3.2.3.2.2(Weld Repairs). The High Stress Areas are defined in Appendix A (7.1).

4 QUALITY ASSURANCE PROVISIONS

4.1 RESPONSIBILITY FOR INSPECTION

The responsibility for performing all tests and verifications rests with the supplier. PPPL reserves the right to witness or separately perform all tests specified or otherwise inspect any or all tests and inspections.

4.2 QUALITY CONFORMANCE INSPECTIONS / VERIFICATIONS

The winding form shall be subject to all Quality Conformance Inspections listed below. However, the poloidal break shims shall only be subject to Section 4.2.1 (Verification of Chemical Composition), 4.2.4 (Verification of Surface Finish), 4.2.5 (Verification of Relative Magnetic Permeability), 4.2.6 (Verification of Dimensions and Tolerances), 4.2.7.1 (Visual Inspection), 4.2.7.2.2 (Post Machining Liquid Penetrant Inspection), and 4.2.8 (Inspection for Internal Defect).

4.2.1 Verification of Chemical Composition

The chemical composition of the casting alloy shall be measured for compliance with the requirements stated in Section 3.1.1.1 and shall be provided for each ladle used in each casting. The weighted average, per ASTM A751, is required to meet the chemistry of Table 3-1. The chemical composition for each lot of welding material shall also be reported to ensure

compliance with the requirements in Section 3.1.1.1. If any of the ladles used deviates from the chemistry given in Table 3-1, a product analysis from the attached test specimens from each of the three zones may be required at PPPL's discretion.

4.2.2 Verification of Mechanical Properties of the Casting Alloy and Weld Material

The mechanical properties of the casting alloy for each winding form must be verified by testing. The test specimens shall be fabricated from "attached specimens" which are located as near as possible to the winding form casting (or from a substitute approved in writing by PPPL). Properties must be verified for each of the 3 zones identified in Figure 4-1 below. The specimen material shall be heat treated simultaneously with the winding form; during the heat treatment this material shall be located adjacent to the zone from which it was derived in order to represent as closely as possible the properties of that material. Each specimen shall be engraved or cast with the casting number and zone to permit traceability. This data shall be supplied to PPPL within 30 days of the casting date. Test specimens are to be retained, with identification traceable to the test results, and provided to PPPL with the corresponding casting.

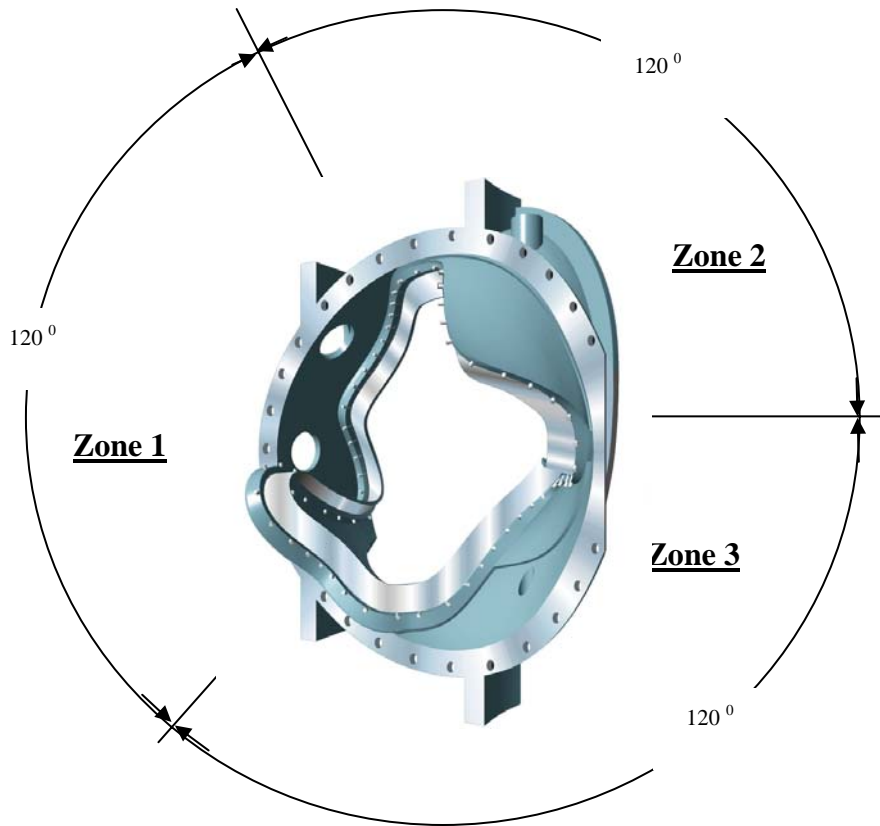


Figure 4-1 Definition of Zones for Test Specimens

4.2.2.1 Verification of Yield Strength and Elastic Modulus

The yield strength at 0.2% offset strain and the elastic (Young's) modulus shall be verified for the cast stainless steel in the as heat-treated condition at room temperature and 77K for the three zones specified in Section 4.2.2 for each casting. Test specimen coupons shall be tested in accordance with ASTM A703/A703M-03, Paragraphs 6 and 7.

4.2.2.2 Verification of Ultimate Tensile Strength and Elongation

The ultimate tensile strength and elongation for the cast stainless steel in the as heat-treated condition at room temperature and 77K shall be verified for the three zones specified in Section 4.2.2 for each casting. Tensile test specimen coupons shall be tested in accordance with ASTM A703/A703M-03, Paragraphs 6 and 7.

4.2.2.3 Verification of Charpy V-Notch Energy

The Charpy V-Notch energy of the casting alloy at room temperature and 77K shall be measured for the three zones specified in Section 4.2.2 for each casting. Specimen coupons shall be cast and heat treated with each winding form and tested in accordance with ASTM A703/A703M-03, Paragraph 6.

4.2.2.4 Additional Test Material

Three samples at least 3" x 3" x 1" shall be provided for each zone of the casting. These test plates shall be attached to or part of the casting and shall be heat treated simultaneously with the casting. The test samples shall be located next to their corresponding zones of the casting so the heat treatment they receive are as near as possible to that of the casting. All supplied material shall be engraved or stamped with low stress stamps with the casting and zone as described in Section 4.2.2. These samples shall be shipped to PPPL where they will be archived for possible use in materials testing.

4.2.2.5 Weld Filler Material

The properties of Section 3.1.1.2 shall also be verified for each lot of the weld material at RT and 77K.

4.2.3 Verification of the Electrical Properties of the Poloidal Break

4.2.3.1 Mid-Plane Insulation

The resistance of the mid-plane electrical insulation shall be measured for compliance with the requirements stated in Section 3.1.1.3. The insulation resistance between the mid-plane poloidal break shim and winding form shall be measured. During this test, the bolts should be in their normal state (i.e., electrically "floating"). The mid-plane shim shall be connected to one side of the megger, and the casting shall be connected to the other.

4.2.3.2 Bolt Insulation

All of the bolts shall be electrically connected (jumpered) together in one group. The mid-plane casting (shim) and the winding form shall be electrically connected together in a second group. The insulation resistance between the jumpered bolts (group 1) and the jumpered winding form and mid-plane (group 2) shall be measured for compliance with the requirements stated in Section 3.1.1.3

4.2.4 Verification of Surface Finish

All machined surfaces shall be inspected for compliance with surface finish requirements specified in Section 3.1.1.4. Either a surface profilometer or comparator can be used. Location and actual results shall be reported areas that do not comply with Section 3.1.1.4.

4.2.5 Verification of Relative Magnetic Permeability

All cast surfaces, features, fasteners, and hardware shall be checked with a calibrated Severn Permeability Indicator for compliance with Sections 3.1.1.5.1 and 3.1.1.5.2. Relative magnetic permeability that exceeds 1.02 must be documented on a nonconformance report and will require approval on a case-by-case basis. Permeability measurements shall be per Supplementary

Requirements S24 of ASTM Spec. A703/A703M and S1 of ASTM A800/A800M, except that the results shall be expressed as relative permeability, μ , Mu, rather than ferrite content (FN).

4.2.5.1 Weld Repairs

Accessible weld repairs shall be checked at a minimum of 1 point per every 2 sq. in. of surface area or 3 points per repair, whichever is smaller.

4.2.5.2 Cast Surfaces

Relative magnetic permeability measurements shall be made on all surfaces of the final casting at locations approximately 6 inches apart (to approximate a 6 inch x 6 inch grid).

4.2.5.3 Machined Surfaces

Final machined surfaces shall be inspected on a 2 x 2" grid. Where size precludes a 2" grid, a minimum of 3 readings per feature shall be made.

4.2.5.4 Fasteners and Hardware

Fasteners and hardware shall be inspected at a minimum of 3 points per item.

4.2.6 Verification of Dimensions and Tolerances

All cast surfaces, machined surfaces and features such as holes, ports, supports, etc. shall be dimensionally checked to assure compliance with Section 3.2.2. Cast surfaces shall be checked with measurements taken to approximate 4" x 4" grid; machined surfaces shall be checked with measurements taken to approximate a 2" x 2" grid; features such as holes, ports, supports, etc. shall be verified per standard machine shop practices. On the winding tee flange, where a 2" x 2" grid would result in a single line of measurements, a minimum of 2 readings (two lines of measurements) shall be recorded.

4.2.7 Inspection for External Defects

4.2.7.1 Visual Inspection

All of the casting features shall be inspected to assure compliance with Section 3.1.1.6.1 (Visual Inspection).

4.2.7.2 Liquid Penetrant Inspections.

4.2.7.2.1 General Liquid Penetrant Inspection

All surfaces of the casting shall be liquid penetrant inspected to assure compliance with Section 3.1.1.6.2 (Liquid Penetrant Examination of Casting) (ASTM A903 Level II). Certified test

reports shall be per ASTM A903, Supplementary Requirement S1. Surfaces shall be prepared by abrasive blast per standard foundry procedures.

4.2.7.2.2 Post Machining Liquid Penetrant Inspection

All machined surfaces shall be liquid Penetrant inspected to assure to assure compliance with Section 3.1.1.6.2 (Liquid Penetrant Examination of Casting) (ASTM A903 Level I). Certified test reports shall be per ASTM A903, Supplementary Requirement S1.

4.2.8 Inspection for Internal Defects

Each casting shall be examined for internal defects as defined in ASTM Spec. A703/A703M using radiographic inspection per Supplementary Requirement S5. Penetrameters shall be used to demonstrate a sensitivity of at least 2% of the thickness being measured. Acceptance criteria shall be as defined in Section 3.1.1.7.

5 PREPARATION FOR DELIVERY

5.1 MARKING

Each winding form shall have the supplier's name, a serial number (drawing number and a unique identifier), and the part weight engraved or stamped with characters ¼ inches high. The marking shall be located as shown in the part drawing.

5.2 CLEANING

The winding forms shall be degreased/cleaned using a solvent which must be able to dissolve grease, oils and other soils, and leave the casting residue free. No chips, burrs, oil, etc. shall remain in any of the tapped holes.

5.3 CRATING

The crate shall protect the winding form from shock and weather conditions, including precipitation. The crate shall be built for moving on rollers, handling with slings from overhead cranes, and transport by forklifts. The part shall be totally wrapped with a plastic protective film.

5.4 SHIPPING

Supplier is responsible for arranging shipment, and for the safe arrival of each winding form at PPPL in Princeton, New Jersey, USA. Subcontractor's name, shipper, purchase order number, contents and gross weight shall be marked on the shipping container.

6 TABLES OF APPROVED MODELS/DRAWINGS AND DEVIATIONS

6.1 TABLES OF MODELS AND DRAWINGS

The following table provides the complete listing of zip files which includes all the approved drawings, ProE models, and STEP files. They can be found on the Supplier FTP site at:

ftp://ftp.pppl.gov/pub/ncsx/manuf/production_winding_form

Table 6-1 Production Modular Coil Winding Form Models and Drawings

ZIP File	Model Description (from Pro/Intralink database, edited)
production_mcwf_proe_Rev6.zip	ZIP file containing all ProE models for the winding forms.
production_mcwf_stp_Rev6.zip	ZIP file containing all STEP files for the winding forms.
production_mcwf_pdf_Rev6.zip	ZIP file containing all pdf drawing files.

Note: Filename indicates revision of Zip File only. Revision numbers of drawings/files within the Zip File are indicated by the individual filename of each drawing/file. Table 6-2 which follows lists all the drawings and their applicable revision number.

Table 6-2 Updated Drawings List

DRAWING NO.	REV	REL DATE	MODEL NO.	DESCRIPTION
SE141-101	2	8/5/05	SE141-101	MOD COIL WINDING FORM ASM TYPE-A
SE141-102	2	8/5/05	SE141-102	MOD COIL WINDING FORM ASM TYPE-B
SE141-103	3	11/18/05	SE141-103	MOD COIL WINDING FORM ASM TYPE-C
SE141-048	1	9/23/04	SE141-048	POL BREAK SHIM ASM TYPE-A
SE141-058	1	9/23/04	SE141-058	POL BREAK SHIM ASM TYPE-B
SE141-078	2	11/18/05	SE141-078	POL BREAK SHIM ASM TYPE-C
DS141-036	2	11/18/05	SE141-036	STUD, 1.375-6UNC-2A X 9.5 LG
DS141-038	0	7/20/04	SE141-038	INSULATING WASHER - OBSOLETE
DS141-060	1	11/18/05	SE141-060	NUT, 12PT HEX 1.375-6UNC-2B
DS141-079	Deleted	N/A	SE141-079	WASHER, 2.75 OD X 1.66 ID X 0.5 THK
SE141-114	5	8/5/05	SE141-114	PRODUCTION WINDING FORM TYPE-A
SE141-115	5	8/5/05	SE141-115	PRODUCTION WINDING FORM TYPE-B
SE141-116	7	11/18/05	SE141-116	PRODUCTION WINDING FORM TYPE-C
SE141-137	0	11/18/05	SE141-137	MCWF POL BREAK BEARING PLATE
SE141-138	0	11/18/05	SE141-138	MCWF POL BREAK BEARING PLATE

6.2 TABLE OF APPROVED DEVIATIONS

Table 6-3 Approved Deviations

Deviation Number	Description	Date Approved	Impacted Documents
NCSX-RFD-14-001	RFD-14-001, Revised Location of Part Number in MCWF Casting	3/30/2005	Drawing SE-141-114 shows the reference location of the pattern/casting identification number for Type A coils. No change in that drawing is planned, at least not until all of the Type A coils are fabricated.
NCSX-RFD-14-002	RFD-14-002, Change in dimensional inspection for C1 casting.	4/15/2005	Deleted MIT/QA Plan second dimensional inspection – deemed redundant.
NCSX-RFD-14-003	RFD-14-003, Relaxation of material testing requirements	6/8/2005	Deleted requirement in CSPEC to test material in the transverse and longitudinal direction.
NCSX-RFD-14-005	RFD-14-005, For C1 only -Waiver of Post Machining Inspection for Internal Defects in High Stress Area & Radiography on Weld Repair	9/15/2005	Approved for C1 Casting Only.
NCSX-RFD-14-006	RFD-14-006, Deletion of Erroneous Requirement in Section 3.1.1.6.1 of the Modular Coil CSPEC (NCSX-CSPEC-141-03)	9/15/2005	Approved. Revision 10 to CSPEC will incorporate this change.
NCSX-RFD-14-008	RFD-14-008, C! Casting - Add Additional G11CR Shim Pieces for the Poloidal Break	9/22/2005	Approved for C1 Only. Revision 10 to CSPEC will incorporate this change for rest of castings.
NCSX-RFD-14-009R1	RFD-14-009R1, Proposed Drawing Changes Resulting from Inspection of C1 Casting at PPPL	10/24/2005	Approved. Revision 10 to CSPEC will incorporate this change.

7 APPENDICES

7.1 Appendix A: Identification Of High Stress Regions For Production MCWF

Figure 7-1, Figure 7-2 , Figure 7-3, Figure 7-4, and Table 7-1 of this appendix identify the high stress areas and show a numbering scheme for the 3/8-16UNC tapped holes in the tee. Per the proposal of Major Tool, every tenth hole shall be identified by etching. The high stress region shall be identified as the web of the “tee” cross-section.

The base of the “tee” cross-section in all regions where the minimum machined thickness is < 2” between profile points “P” and “Q” on Detail A, Sheet 2 of drawings SE141-114 (shown below for illustrative purposes) , SE141-115, and SE141-116, that is located in between the hole

numbers shown in Table 7-1 or be or between the coordinates shown in Figure 7-1 (for type C for illustration only) and Table 7-1.

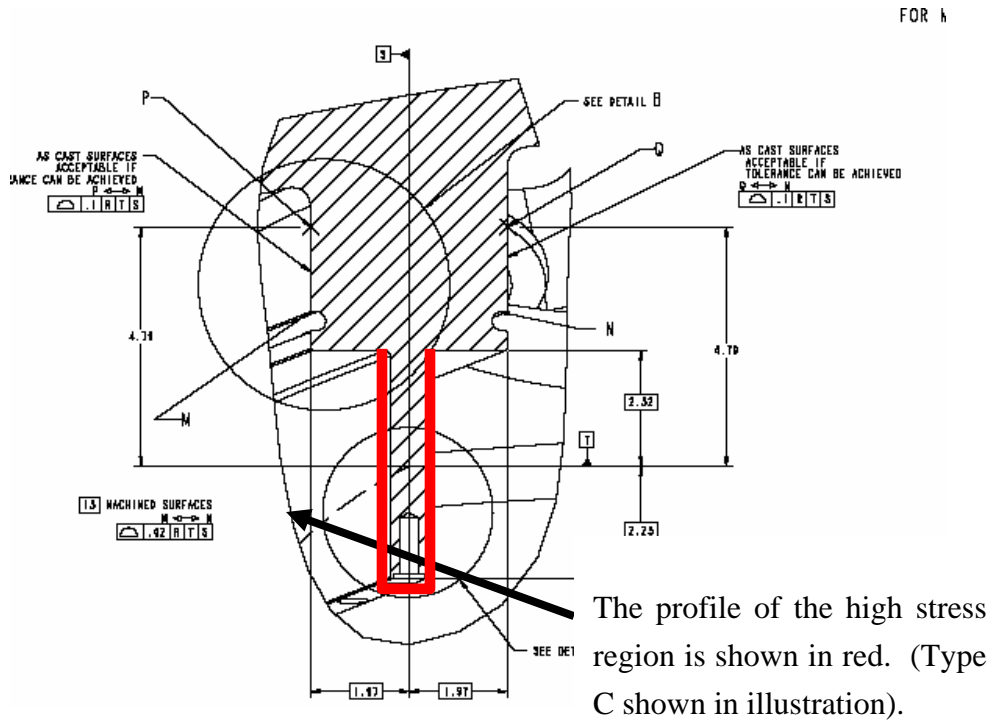


Figure 7-1 – Identification of High Stress Zones

MCWF Type	Hole No. (Start)	Hole No. (End)
C (Fig. 1)	45	65
B (Fig. 2)	55	75
A (Fig. 3)	20	35

Table 7-1 Definition of High Stress Region Based on Flange Hole Numbers

The figures also show approximate dimensions, including 1/2-in. stock material allowance, from the flat surfaces of the casting to the start and end locations. These dimensions shall be used to

identify the high stress regions prior to machining. Figure 7-2 (Type C), Figure 7-3 (Type B), and Figure 7-4 (Type A) depict the high stress region identification for each type casting.

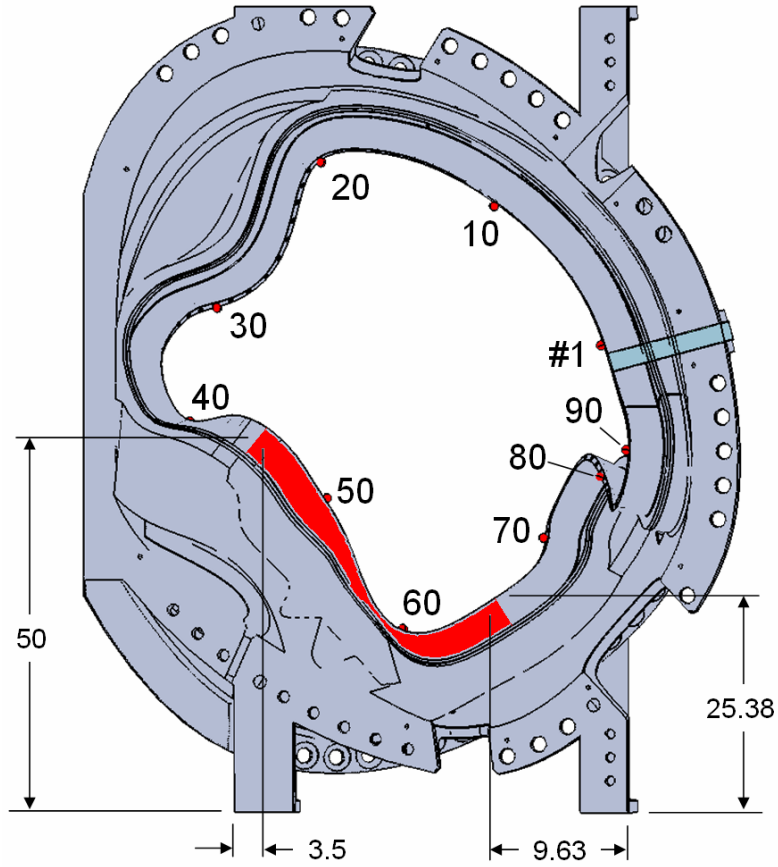


Figure 7-2 – High Stress Region Identification for Type-C MCWF

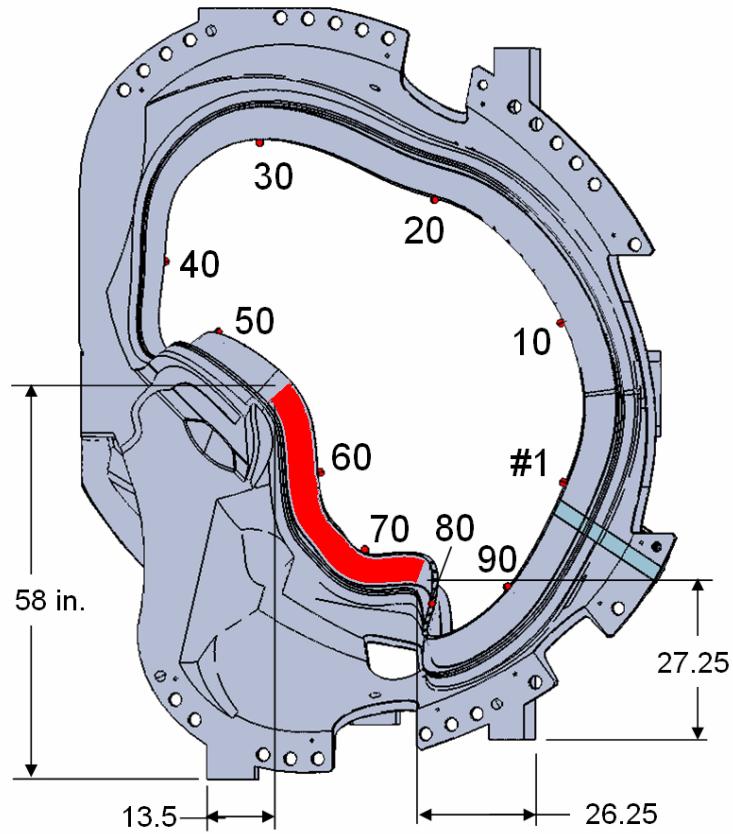


Figure 7-3 – High Stress Region Identification for Type-B MCWF

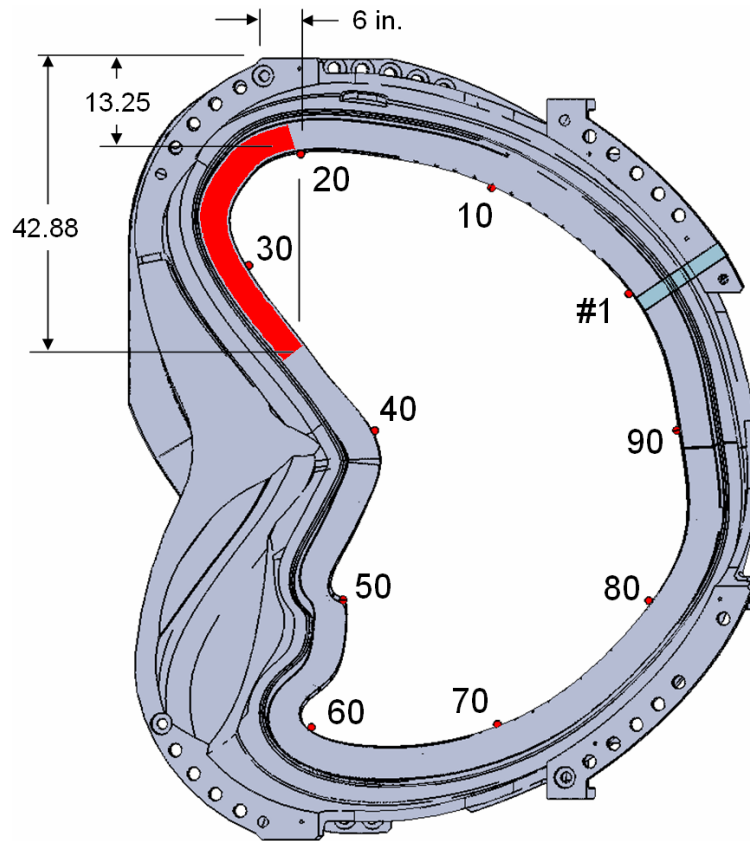


Figure 7-4– High Stress Region Identification for Type-A MCWF