

NCSX

Product Specification

Modular Coil Winding Forms

NCSX-CSPEC-141-03-14

September 6, 2006

Prepared By: _____

P. Heitzenroeder, Technical Representative for Modular Coil (WBS 14) Procurements

Concurred By: _____

D. Williamson, WBS Manager for Modular Coils (WBS 14)

Concurred By: _____

F. Malinowski, PPPL Procurement QA Representative

Approved by: _____

B. Nelson, Responsible Line Manager for Stellarator Core Systems (WBS 1)

<p>Controlled Document THIS IS AN UNCONTROLLED DOCUMENT ONCE PRINTED. Check the NCSX Engineering Web prior to use to assure that this document is current.</p>

Record of Revisions

Revision	Date	Description of Changes
Rev. 0	7/1/2004	Initial issue
Rev 1.	7/5/2004	Revised Table 6-1
Rev 2	7/20/2004	Updated Table 6-1 to Production Drawings
Rev 3	8/4/2004	Updated Table 6-1 – Drawings se141-116 to se141-116r1 and Drawing se141-116-nf.stp to se141-116-NFr1.stp
Rev 4	9/17/2004	Updated specification to reflect final negotiated configuration: <ul style="list-style-type: none"> • Added vendor information on alloy in Sections 3.1.1.1 and • Revised Sections 4.2.5 and 4.2.7.2.1; and • Updated Table 6-1
Rev 5	9/23/2004	Updated Table 6-1
Rev 6	1/14/2005	Updated Table 6-1
Rev 7	04/19/2005	Incorporated ECP-026 (MCWF Fast Response), ECP-028 (RFD-14-001), and RFD-14-002. Changes made include: <ul style="list-style-type: none"> • Removed reference to a specific operation date in Section 1.1. • Updated Table 3.2 to reflect correct units; • Updated and/or revised Sections: 3.1.1.6.3; 3.1.1.7; 3.2.3.2.3; 4.2.1; 4.2.2; 4.2.2.5 (New); 4.2.8.1; 4.2.8.2; 6.1; and 6.2. • Added Appendix A which identifies the high stress regions.

Rev 8

07/12/05

Incorporated ECP-033. Changes include:

- Added ASTM A751-01, “Standard Test Methods, Practices, and Terminology for Chemical Analysis of Steel Products,” to Section 2.1.1.
- Revised Section 3.1.1.1: Added note about alloy composition ranges;
- Revised Table 3-1: Changed Si from 0.5 to 0.7% max.
- Added Table 3-2 for weld material composition;
- Revised Table 3-4 : Changed yield from 34 ksi (234.4 MPa) to 30 ksi (206.8 Mpa);
- Revised Section 3.1.1.4 to change surface finish requirements.
- Revised Section 3.1.1.6.1: Clarified visual inspection requirements;
- Revised Section 3.2.3.1 to clarify stress relieving processes.
- Revised Sections 3.2.3.2.2 and 3.2.3.2.3 concerning weld repair to address weld repairs due to machining errors;
- Revised Section 4.2.1: clarified requirements for chemical analysis for each ladle and weld wire lot;
- Revised Section 4.2.2: Deleted the requirement for both transverse and longitudinal test specimens and clarified test specimen details;
- Revised Sections 4.2.2.1, 4.2.2.2, 4.2.2.3:: Added “ for the three zones...” for emphasis;
- Revised Section 4.2.2.4: Revised additional testing material requirements; and
- Revised Section 4.2.2.5: Clarified wording for weld filler properties requirements.
- Revised Table 6-1 and Table 6-3 to reflect latest approved models and drawings and approved RFDs.

Rev 9

08/8/05

Incorporated RFD-14-004 and ECP-035. Changes include:

- Updated drawings set per ECN#5009R1
- Revised Table 3-1 reflect the change in chemical composition requirements for phosphorus and sulfur.
- Updated Table 6-1 added reference to new Appendix B to provide complete listing of drawings and their applicable revisions.
- Added new Appendix B to provide complete listing of drawings and their applicable revisions.

Incorporated RFD-14-005 RFD-14-006, RFD-14-008, and RFD-14-009R1; incorporated ECNs 5016 and 5026; and incorporated ECP-038. Changes include changes in requirements, clarifications and/or correction of omissions, and updated information on drawings and models and RFDs:

- Changes in Requirements:
 - Revised Section 4.2.4 to add the requirement for separate reporting of surface finish inspections in the tee area.
 - Revised Section 3.1.1.7 to clarify radiographic inspection requirements as per MSS SP 54.
 - Restored Section 3.1.1.8 to clarify and simplify inspection requirements within the high stress areas; flaw size changed to 0.080" major dimension in the web region of the tee. The base of the flange radiographic inspection requirement was removed.
 - Revised Section 3.2.3.2.2.3 to state that any defect (either surface or subsurface) that exceeds the defect size and depth, should be repaired. Eliminated any references to NCR requirement.
 - Revised Section 4.2.6 to increase dimension inspection coverage of flange of the tee.
 - Revised Sections 3.1.1.6.2, 4.2.7.2.1, and 4.2.7.2.2 to add Level I liquid penetrant inspections for post-machining acceptance criteria.
 - Revised Section 4.2.8 to delete references to "pre-machining" and "post-machining" inspections for internal defects.
 - Clarifications and/or Correction of Omissions:
 - Revised Section 3.1.1.5 on mag. permeability: now in two sub-sections, 3.1.1.5.1 which addresses the casting, including upgrades, and 3.1.1.5.2, which addresses fasteners and hardware. Also revised Section 4.2.4 accordingly.
 - Updated Section 3.1.1.1, to modify or add Table 3-1, Table 3-2, Table 3-3, and Table 3-4 to clarify the chemical composition requirements for the casting alloy and weld wire.
 - Revised Section 3.1.1.6.1 to delete the reference to SCRATA graded references for machined surfaces.
 - Revised Sections 3.2.1 and 3.2.2.1 to clarify wording.
 - Revised Section 4.2.3.1 and 4.2.3.2 concerning electrical testing.
 - Revised Section 4.2.5 and expanded into four subparagraphs (Sections 4.2.5.1, 4.2.5.2, 4.2.5.3, and 4.2.5.4) added to clarify requirements.
-

Rev 10	11/15/05	<ul style="list-style-type: none">• Updated information on Drawings/Models and RFDs<ul style="list-style-type: none">○ Updated Table 6-1 to provide updated listing of zip files for ProE, STEP, and pdf files. These drawings and models incorporate changes outlined in RFD-14-009R1 and ECNs 5016 and 5026. Appendix B and Read Me file on Supplier FTP Site provide most recent revision for all drawings.○ Added new updated Table 7-1 to replace Appendix B which was deleted.○ Renumbered and updated Table 6-3 to list all approved Requests for Deviation. Added RFDs 14-005, 14-006, 14-008, and 14-009R1.○ Updated Figure 7-1 to show high stress region.
Rev 11	2/7/2006	<p>Revised technical requirements to improve machining and inspection times as a result of technical meetings held at MTM the week of January 3, 2006. Changes were made to the following sections:</p> <ul style="list-style-type: none">• 3.1.1.4 (Surface Finish) – Changed and clarified surface finish requirements in the “wing” area to permit “scalloping”. New Figure 3-1 added to shows “scalloping” permitted in the “wing” area.• 3.1.1.5.3 added to reflect relaxed permeability requirements for bearing plates per approved RFD-14-011.• 3.1.1.8 modified to remove requirement for RT in combination with UT inspection – now either RT or UT inspection is satisfactory.• 4.2.2.5 (Weld Filler Material) – provided alternate method (by supplier or material supplier) to verify weld filler material properties.

Rev 11

2/7/2006

- 4.2.5.3 (Verification of Relative Magnetic Permeability for Machined Surfaces) – simplified verification requirements.
 - List of approved RFDs now shown in Table 6-3
 - 4.2.6 (Verification of Dimensions and Tolerances) – revised and clarified verifications for all cast and machined surfaces.
 - Clarified the verification methods acceptable to perform dimensional and tolerances checks for cast surfaces.
 - Machined surfaces shall be checked in a defined pattern provided NCSX for all of the remaining winding forms. Drawings will be updated and included in Table 6-1 and Table 6-2 to reflect this guidance.
 - The revised pattern to verify the ground clear space dimension in 7.2 is acceptable.
 - Dimensional verification by CMM of the poloidal break bushing holes and break flanges is waived with Rev. 11 of this document. In lieu of this, a 0.002 inch “no-go” feeler gauge or pin gauge shall be used to verify that the fit-up of the polodial break flanges and bushings do not exceed this dimension.
 - Table 6-1 and Table 6-2 have been updated to reflect the latest approved drawings.
 - Added 7.2 (Appendix B) to show T-Base Grinding Template
 - Added 7.3 (Appendix C) to show inspection point details - Figure 7-6 and Table 7-1.
-

Rev 12	8/21/2006	General periodic update of the CSPEC to reflect recently updated drawings, RFDs, and rapid change approvals. The following sections were updated: <ul style="list-style-type: none">• Section 4.2.6 to reflect revised poloidal break inspection/tolerances.• Table 6-1 and Table 6-2 updated to reflect latest list of models and drawings.• Table 6-3 updated to reflect approved RFDs.• Figure 7-2, Figure 7-3, and Figure 7-4 updated to reflect proper hole numbering and current high stress regions.• Table 7-1 updated to reflect latest inspection point data.• Deleted old Table 7-1 that provided listing of the old high stress region – now shown in Figure 7-2, Figure 7-3, and Figure 7-4.• Section 7.1: deleted old definition of high stress region.
Rev 13	9/1/2006	Updated Tables Table 6-1 and Table 6-2 to reflect the update of drawing SE141-115 from Rev 8 to Rev 9. Also updated Table 7-1 to reflect the inspection point data for the Type-B, Datum-D, Wing Pocket Additional Points.
Rev 14	9/6/2006	Resolved some inconsistencies in Table 7-1.

Table of Contents

1 INTRODUCTION AND SCOPE..... 1

1.1 INTRODUCTION..... 1

1.2 SCOPE..... 2

2 APPLICABLE DOCUMENTS..... 2

2.1 CODES AND STANDARDS 2

2.1.1 American Society for Testing and Materials (ASTM) Documents 2

2.1.2 Manufacturers Standardization Society (MSS) of the Valve and Fittings Industry, Inc. Documents ... 2

3 REQUIREMENTS ITEM DEFINITION..... 2

3.1 CHARACTERISTICS 3

3.1.1 Performance..... 3

3.1.1.1 Chemical Composition of the Casting Alloy and Weld Wire 3

3.1.1.2 Mechanical Properties of the Casting Alloy and Welding Material 3

3.1.1.3 Electrical Requirements for the Poloidal Electrical Break 4

3.1.1.4 Surface Finish..... 4

3.1.1.5 Relative Magnetic Permeability 4

3.1.1.5.1 Relative Magnetic Permeability of Winding Form..... 4

3.1.1.5.2 Relative Magnetic Permeability of Winding Form Fasteners and Miscellaneous Hardware .. 5

3.1.1.5.3 Relative Magnetic Permeability of Winding Form Bearing Plates..... 5

3.1.1.6 External Defects 5

3.1.1.6.1 Visual Examination 5

3.1.1.6.2 Liquid Penetrant Examination of Casting..... 5

3.1.1.6.3 Liquid Penetrant Inspection of High Stress Regions 5

3.1.1.7 Radiographic Inspection..... 5

3.1.1.8 Inspection for Internal Defects in the High Stress Areas 5

3.2 DESIGN AND CONSTRUCTION 6

3.2.1 Production Drawings 6

3.2.2 Dimensions and Tolerances 6

3.2.2.1 Measurement 6

3.2.2.2 Fiducials 6

3.2.3 Standards of Manufacture 6

3.2.3.1 Heat Treatment..... 6

3.2.3.2 Repairs 7

3.2.3.2.1 Non-Weld Repairs 7

3.2.3.2.2 Weld Repairs 7

- 3.2.3.2.2.1 Minor Weld Repairs.....7
- 3.2.3.2.2.2 Major Weld Repairs.....7
- 3.2.3.2.2.3 Repairs in High Stress Areas7

4 QUALITY ASSURANCE PROVISIONS..... 8

- 4.1 RESPONSIBILITY FOR INSPECTION8
- 4.2 QUALITY CONFORMANCE INSPECTIONS / VERIFICATIONS.....8
 - 4.2.1 Verification of Chemical Composition8
 - 4.2.2 Verification of Mechanical Properties of the Casting Alloy and Weld Material8
 - 4.2.2.1 Verification of Yield Strength and Elastic Modulus9
 - 4.2.2.2 Verification of Ultimate Tensile Strength and Elongation9
 - 4.2.2.3 Verification of Charpy V-Notch Energy9
 - 4.2.2.4 Additional Test Material10
 - 4.2.2.5 Weld Filler Material10
 - 4.2.3 Verification of the Electrical Properties of the Poloidal Break.....10
 - 4.2.3.1 Mid-Plane Insulation10
 - 4.2.3.2 Bolt Insulation.....10
 - 4.2.4 Verification of Surface Finish.....10
 - 4.2.5 Verification of Relative Magnetic Permeability10
 - 4.2.5.1 Weld Repairs11
 - 4.2.5.2 Cast Surfaces11
 - 4.2.5.3 Machined Surfaces11
 - 4.2.5.4 Fasteners and Hardware11
 - 4.2.6 Verification of Dimensions and Tolerances.....11
 - 4.2.7 Inspection for External Defects12
 - 4.2.7.1 Visual Inspection.....12
 - 4.2.7.2 Liquid Penetrant Inspections.....12
 - 4.2.7.2.1 General Liquid Penetrant Inspection12
 - 4.2.7.2.2 Post Machining Liquid Penetrant Inspection.....12
 - 4.2.8 Inspection for Internal Defects.....12

5 PREPARATION FOR DELIVERY 12

- 5.1 MARKING12
- 5.2 CLEANING12
- 5.3 CRATING13
- 5.4 SHIPPING13

6 TABLES OF APPROVED MODELS/DRAWINGS AND DEVIATIONS..... 13

6.1 TABLES OF MODELS AND DRAWINGS13

6.2 TABLE OF APPROVED DEVIATIONS15

7 APPENDICES..... 16

7.1 APPENDIX A: IDENTIFICATION OF HIGH STRESS REGIONS FOR PRODUCTION MCWF16

7.2 APPENDIX B: VERIFICATION OF THE GROUND CLEAR SPACE DIMENSION.....20

7.3 APPENDIX C: INSPECTION POINTS22

List of Figures

Figure 1-1 Typical Machined Modular Coil Winding Form 1

Figure 3-1 Wing Surface Finish Requirements4

Figure 4-1 Definition of Zones for Test Specimens9

Figure 7-1 – Identification of High Stress Zones.....17

Figure 7-2 – High Stress Region Identification for Type-C MCWF18

Figure 7-3 – High Stress Region Identification for Type-B MCWF19

Figure 7-4 High Stress Region Identification for Type-A MCWF20

Figure 7-5 T-Base Grinding Template.....21

Figure 7-6 Inspection Points Nomenclature22

List of Tables

Table 3-1 Weight % of Chemical Constituents in Casting Alloy3

Table 3-2 Weight % of Chemical Constituents of Bare Weld Wire3

Table 3-3 Weight % of Chemical Constituents of Covered Welding Electrodes3

Table 3-4 Minimum Mechanical Properties4

Table 6-1 Production Modular Coil Winding Form Models and Drawings13

Table 6-2 List of Drawings.....14

Table 6-3 Approved Deviations.....15

Table 7-1 List of Inspection Point Files.....23

1 INTRODUCTION AND SCOPE

1.1 INTRODUCTION

Stellarators are a class of magnetic fusion confinement devices characterized by three dimensional magnetic fields and plasma shapes and are the best-developed class of magnetic fusion devices after the tokamak. The stellarator concept has greatly advanced since its invention by Dr. Lyman Spitzer, the founding director of the Princeton Plasma Physics Laboratory (PPPL), during the 1950's. A traditional stellarator uses only external magnetic fields to shape and confine the plasma. The National Compact Stellarator Experiment (NCSX) is the first of a new class of stellarators known as "compact stellarators." The differentiating feature of a compact stellarator is the use of plasma current in combination with external fields to accomplish shaping and confinement. This combination permits a more compact device. The NCSX project is managed by PPPL in partnership with the Oak Ridge National Laboratory. This Subcontract will be administered by PPPL.

The winding forms are austenitic (non-magnetic) stainless steel structures that are one of the most important components of the modular coils and the NCSX device. The winding forms perform two very important functions: (1) the conductors are wound on the winding forms, and are located in precise position by these forms; (2) the winding forms serve as their structural support during assembly and operation. There are three (3) distinct shapes of winding forms. Six (6) of each are required for a total of eighteen (18). The winding forms shall be manufactured by casting followed by machining. A machined winding form is illustrated in Figure 1-1. This figure is intended to be illustrative only and not to be used for manufacture; specific models and drawings shall provide the technical details needed for manufacturing.



Figure 1-1 Typical Machined Modular Coil Winding Form

1.2 SCOPE

This specification establishes the manufacturing and acceptance requirements for the National Compact Stellarator Experiment (NCSX) Modular Coil Winding Forms. There are three different types of Winding Forms, identified as type A, B, and C.

2 APPLICABLE DOCUMENTS

2.1 CODES AND STANDARDS

2.1.1 American Society for Testing and Materials (ASTM) Documents 1

- A703/A703M-03 “Standard Specification for Steel Castings, General Requirements for Pressure Containing Parts”.
- A751-01 “Standards Test Methods, Practices, and Terminology for Chemical Analysis of Steel Products”.
- A800/A800M-01 “Standard Practice for Steel Casting, Austenitic Alloy, Estimating Ferrite Content Thereof”.
- A802/A802M-95 “Standard Practice for Steel Castings, Surface Acceptance Standards, Visual Examination”.
- A903/A903/M-99 “Standard Specification for Steel Castings, Surface Acceptance Standards, Magnetic Particle, and Liquid Penetrant Inspection”.

2.1.2 Manufacturers Standardization Society (MSS) of the Valve and Fittings Industry, Inc. Documents 2

- MSS SP-54-2001: “Quality Standard for Steel Castings for Valves, Flanges, Fittings, and Other Piping Components; Radiographic Inspection Method”.

3 REQUIREMENTS ITEM DEFINITION

The items covered by this Specification are Type A, Type B, and Type C winding forms. This includes the castings, all associated machining, all poloidal break hardware, and all associated processing, testing, quality control, documentation, packaging, and shipping.

1 Publications are available from

<http://www.astm.org/cgi-bin/SoftCart.exe/index.shtml?E+mystore>.

2 Publications are available from Manufacturers Standardization Society of the Valve and Fittings Industry, Inc., 127 Park Street, NE, Vienna, Virginia 22180p, Tel. (703)-281-6613.

3.1 CHARACTERISTICS

3.1.1 Performance

3.1.1.1 Chemical Composition of the Casting Alloy and Weld Wire

The winding forms are to be cast from an alloy with its chemical composition being in accordance with Table 3-1. The chemical composition of the weld material shall comply with Table 3-2 for bare wire electrodes or Table 3-3 for covered electrodes.

	<u>C</u>	<u>Mn</u>	<u>Si</u>	<u>Cr</u>	<u>Ni</u>	<u>Mo</u>	<u>P</u>	<u>S</u>	<u>N</u>
Min. %	.040	2.3	--	18.0	13.0	2.1	--	--	.24
Max. %	.070	2.8	0.7	18.5	13.5	2.5	0.035	0.025	.28

Table 3-1 Weight % of Chemical Constituents in Casting Alloy

	<u>C</u>	<u>Mn</u>	<u>Si</u>	<u>Cr</u>	<u>Ni</u>	<u>Mo</u>	<u>P</u>	<u>S</u>	<u>Cu</u>	<u>N</u>
Min. %	--	5.0	--	19.0	15.0	2.5	--	--	--	--
Max. %	0.03	9.0	1.0	22.0	18.0	4.5	0.03	0.02	0.3	0.3

Table 3-2 Weight % of Chemical Constituents of Bare Weld Wire

	<u>C</u>	<u>Mn</u>	<u>Si</u>	<u>Cr</u>	<u>Ni</u>	<u>Mo</u>	<u>P</u>	<u>S</u>	<u>Cu</u>	<u>N</u>
Min. %	--	2.5	--	16.5	14.0	2.5	--	--	--	0.1
Max. %	0.04	4.0	0.9	19.5	17.0	3.5	0.03	0.025	0.5	0.2

Table 3-3 Weight % of Chemical Constituents of Covered Welding Electrodes

3.1.1.2 Mechanical Properties of the Casting Alloy and Welding Material

The properties of the winding form casting alloy and welding material for each casting shall meet or exceed the mechanical properties requirements stated in Table 3-4. Note that the properties required are identical for casting alloy and weld material except for elongation.

Temperature	77K	293K
Elastic Modulus	21 Msi (144.8 Gpa)	20 Msi (137.9 Gpa)
0.2% Yield Strength	72 ksi (496.4 Mpa)	30 ksi (206.8 Mpa)
Tensile Strength	95 ksi (655 Mpa)	78 ksi (537.8 Mpa)
Elongation (Casting)	32%	36%
Elongation (Weld Material)	25%	28%
Charpy V – notch Energy	35 ft. lbs. (47.4 J)	50 ft-lbs (67.8 J)

Table 3-4 Minimum Mechanical Properties

3.1.1.3 Electrical Requirements for the Poloidal Electrical Break

The resistance of the mid-plane insulation and of the bolt insulation shall be >500 kohms when tested at 100 VDC.

3.1.1.4 Surface Finish

The two “L” machined surfaces of the tee must have a RMS (root mean square) surface finish <125 μ-inches. In the wing and pocket areas, as-machined surfaces are acceptable, as are scallops that fall within the dimensional tolerance (see Figure 3-1). Transitions shall be gradually blended over a minimum 2” length. All other machined surfaces must have a RMS (root mean square) surface finish <250 μ-inches. The finished part shall be free of sharp edges and burrs.

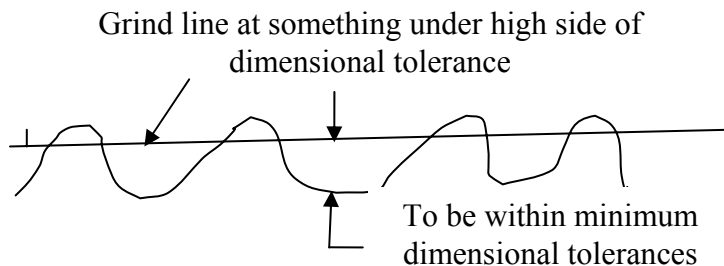


Figure 3-1 Wing Surface Finish Requirements

3.1.1.5 Relative Magnetic Permeability

3.1.1.5.1 Relative Magnetic Permeability of Winding Form

The local relative magnetic permeability of any point in the winding form (including the base metal and weld repairs) shall not exceed 1.02.

3.1.1.5.2 Relative Magnetic Permeability of Winding Form Fasteners and Miscellaneous Hardware

The local relative magnetic permeability of any modular coil fasteners and hardware shall not exceed 1.02.

3.1.1.5.3 Relative Magnetic Permeability of Winding Form Bearing Plates

The local relative magnetic permeability of any modular coil bearing plates shall not exceed 1.03.

3.1.1.6 External Defects

3.1.1.6.1 Visual Examination

Cast surfaces shall be free of visual external defects as defined in ASTM A802/A802M (using SCRATA graded reference comparators) Level III. Discontinuities not meeting the evaluation criteria shall be repaired per Section 3.2.3.2. (Repairs).

3.1.1.6.2 Liquid Penetrant Examination of Casting

Each casting shall be free of external defects as defined in ASTM A903/A903M Level II for as-cast areas and Level I for machined surfaces. Discontinuities not meeting the evaluation criteria shall be repaired per Section 3.2.3.2 (Repairs).

3.1.1.6.3 Liquid Penetrant Inspection of High Stress Regions

High stress areas, as defined in Appendix A (7.1), shall be free of external defects as defined in ASTM A903/A903M Level I when checked by liquid penetrant inspection. Discontinuities not meeting the evaluation criteria shall be repaired per Section 3.2.3.2.2.3 (Repairs in High Stress Areas).

3.1.1.7 Radiographic Inspection

Each casting shall be free of internal radiographic indications of defects as defined in MSS SP 54 for radiography. Defects exceeding these limits shall be repaired per Section 3.2.3.2 (Repairs).

3.1.1.8 Inspection for Internal Defects in the High Stress Areas

Each casting shall be free of internal defects exceeding 0.080" (major dimension) in the web region of the Tee in the High Stress Areas (as defined in Appendix A - 7.1). Radiographic inspection (RT) or ultrasonic (UT) inspections shall be used. Radiographic inspections shall be performed as defined in MSS SP 54. UT inspections shall be performed in accordance with procedures and personnel qualifications submitted to PPPL for approval prior to use. Defects

exceeding these limits shall be repaired per Section 3.2.3.2 (Repairs) *if performed prior to any significant amount of machining has been accomplished*. Defects exceeding those limits which are identified after the winding form is significantly machined (i.e., within 0.25” of final dimensions) shall be reported on an NCR for evaluation. Repairs at that stage shall only be made if formally approved in the disposition of the NCR, and as defined in the NCR disposition.

3.2 DESIGN AND CONSTRUCTION

3.2.1 Production Drawings

These items shall be fabricated in accordance with the Pro/Engineer CAD files listed in Table 6-1. These files are located at the production winding form ftp site:

ftp://ftp.pppl.gov/pub/ncsx/manuf/production_winding_form

3.2.2 Dimensions and Tolerances

3.2.2.1 Measurement

Strict adherence to the dimensions and tolerances defined in the production drawings referenced in Section 3.2.1 is required. All dimensions are for 20 C; actual measurements shall be temperature compensated for 20 C.

3.2.2.2 Fiducials

The Supplier shall provide eighteen (18) or more permanent targets that are in known relationship to the CAD model of the winding form. Three (3) fiducials (spherical seats) shall be provided on each flange surface; four (4) targets shall be visible for each setup of machined features, and four (4) targets shall be visible from any exterior view of the winding form.

3.2.3 Standards of Manufacture

3.2.3.1 Heat Treatment

The casting shall be heat treated prior to final measurements of mechanical properties and relative magnetic permeability. In addition, stress relieving shall be performed after all major weld repairs (as defined in Section 3.2.3.2.2.2) and radiography (as defined in Section 3.1.1.7) is completed at the foundry. Minor weld repairs, as defined in Section 3.2.3.2.2.1, will be allowed without subsequent stress relief. The temperature and duration of the stress relieving process shall be reviewed and approved by PPPL. Heat treatment records shall be prepared and maintained as defined in S21 of ASTM Specification A703/A703M, and supplied to PPPL.

3.2.3.2 Repairs

3.2.3.2.1 Non-Weld Repairs

When defects are removed by grinding without violating minimum wall thickness requirements, the ground area shall be re-inspected by the original inspection method to verify complete defect removal. Discontinuities which are/will be completely removed during machining operations do not need to be weld repaired.

3.2.3.2.2 Weld Repairs

Weld repairs may be needed to (1) repair casting defects when defect removal involves excavation beyond wall thickness limitations or (2) to repair gouges or other machining errors. Welding procedure qualification tests shall include evidence of compliance with the magnetic permeability requirements of Section 3.1.1.5, as well as compliance with the mechanical properties listed in Table 3-4. Weld preparation shall be per Section S10 of ASTM Specification A703/A703M. Weld repairs must meet the inspection criteria of Sections 3.1.1.6 and 3.1.1.7.

3.2.3.2.2.1 Minor Weld Repairs

Weld repairs smaller than those defined in 3.2.3.2.2.2 below, as Major Weld Repairs, shall be welded in accordance with Section 3.2.3.2.2.

3.2.3.2.2.2 Major Weld Repairs

Repairs shall be considered major when the depth of the cavity prepared for welding exceeds 20% of the actual wall thickness or 1 inch, whichever is smaller, or when the extent of the cavity exceeds approximately 10 in². Weld Maps (showing size and location as required by ASTM A703/A703M S20) shall be prepared for each major weld repair cycle. The weld map shall be delivered to PPPL no later than 24 hours after the start of welding. Major weld repairs during machining operations shall necessitate the issuance of a Non-Conformance Report to address the conditions that led to the need for welding. The weld repairs may proceed while the NCR is being dispositioned.

3.2.3.2.2.3 Repairs in High Stress Areas

Rejectable surface defects which are less than 0.125" in depth shall be eliminated by grinding. Rejectable surface defects which exceed this depth, as well as any rejectable subsurface defects shall be repaired per Section 3.2.3.2.2(Weld Repairs). The High Stress Areas are defined in Appendix A (7.1).

4 QUALITY ASSURANCE PROVISIONS

4.1 RESPONSIBILITY FOR INSPECTION

The responsibility for performing all tests and verifications rests with the supplier. PPPL reserves the right to witness or separately perform all tests specified or otherwise inspect any or all tests and inspections.

4.2 QUALITY CONFORMANCE INSPECTIONS / VERIFICATIONS

The winding form shall be subject to all Quality Conformance Inspections listed below. However, the poloidal break shims shall only be subject to Section 4.2.1 (Verification of Chemical Composition), 4.2.4 (Verification of Surface Finish), 4.2.5 (Verification of Relative Magnetic Permeability), 4.2.6 (Verification of Dimensions and Tolerances), 4.2.7.1 (Visual Inspection), 4.2.7.2.2 (Post Machining Liquid Penetrant Inspection), and 4.2.8 (Inspection for Internal Defect).

4.2.1 Verification of Chemical Composition

The chemical composition of the casting alloy shall be measured for compliance with the requirements stated in Section 3.1.1.1 and shall be provided for each ladle used in each casting. The weighted average, per ASTM A751, is required to meet the chemistry of Table 3-1. The chemical composition for each lot of welding material shall also be reported to ensure compliance with the requirements in Section 3.1.1.1. If any of the ladles used deviates from the chemistry given in Table 3-1, a product analysis from the attached test specimens from each of the three zones may be required at PPPL's discretion.

4.2.2 Verification of Mechanical Properties of the Casting Alloy and Weld Material

The mechanical properties of the casting alloy for each winding form must be verified by testing. The test specimens shall be fabricated from "attached specimens" which are located as near as possible to the winding form casting (or from a substitute approved in writing by PPPL). Properties must be verified for each of the 3 zones identified in Figure 4-1 below. The specimen material shall be heat treated simultaneously with the winding form; during the heat treatment this material shall be located adjacent to the zone from which it was derived in order to represent as closely as possible the properties of that material. Each specimen shall be engraved or cast with the casting number and zone to permit traceability. This data shall be supplied to PPPL within 30 days of the casting date. Test specimens are to be retained, with identification traceable to the test results, and provided to PPPL with the corresponding casting.

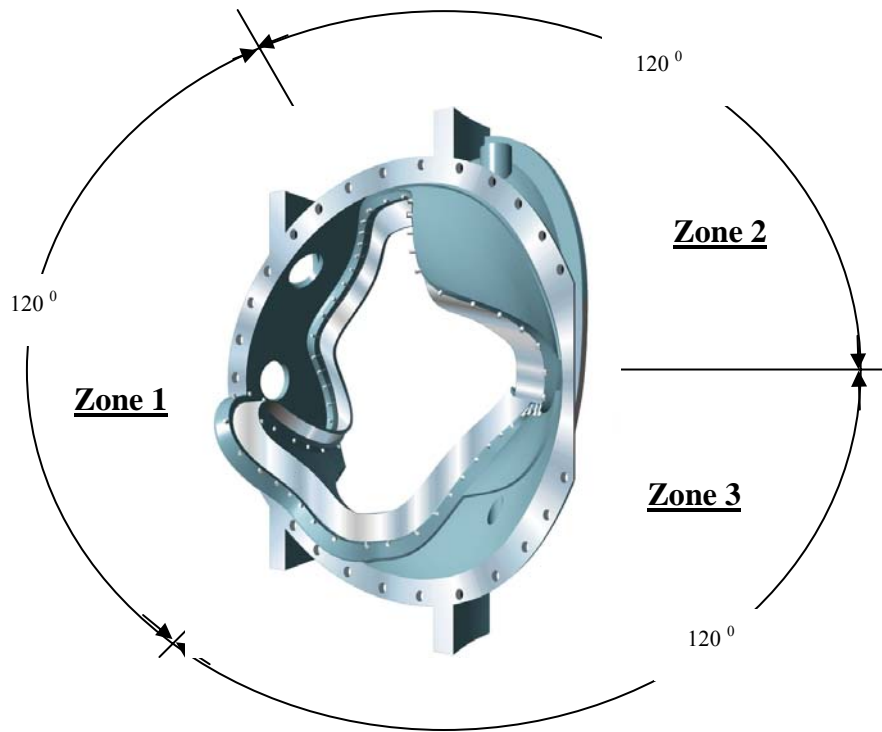


Figure 4-1 Definition of Zones for Test Specimens

4.2.2.1 Verification of Yield Strength and Elastic Modulus

The yield strength at 0.2% offset strain and the elastic (Young's) modulus shall be verified for the cast stainless steel in the as heat-treated condition at room temperature and 77K for the three zones specified in Section 4.2.2 for each casting. Test specimen coupons shall be tested in accordance with ASTM A703/A703M-03, Paragraphs 6 and 7.

4.2.2.2 Verification of Ultimate Tensile Strength and Elongation

The ultimate tensile strength and elongation for the cast stainless steel in the as heat-treated condition at room temperature and 77K shall be verified for the three zones specified in Section 4.2.2 for each casting. Tensile test specimen coupons shall be tested in accordance with ASTM A703/A703M-03, Paragraphs 6 and 7.

4.2.2.3 Verification of Charpy V-Notch Energy

The Charpy V-Notch energy of the casting alloy at room temperature and 77K shall be measured for the three zones specified in Section 4.2.2 for each casting. Specimen coupons shall be cast and heat treated with each winding form and tested in accordance with ASTM A703/A703M-03, Paragraph 6.

4.2.2.4 Additional Test Material

Three samples at least 3" x 3" x 1" shall be provided for each zone of the casting. These test plates shall be attached to or part of the casting and shall be heat treated simultaneously with the casting. The test samples shall be located next to their corresponding zones of the casting so the heat treatment they receive are as near as possible to that of the casting. All supplied material shall be engraved or stamped with low stress stamps with the casting and zone as described in Section 4.2.2. These samples shall be shipped to PPPL where they will be archived for possible use in materials testing.

4.2.2.5 Weld Filler Material

The properties of Section 3.1.1.2 shall also be verified for each lot of the weld material at RT and 77K. Alternatively, typical mechanical properties provided by the material manufacturer will be accepted as verification if the manufacturer's material certification of actual chemical composition, documenting compliance with the manufacturer's published specification, is provided.

4.2.3 Verification of the Electrical Properties of the Poloidal Break

4.2.3.1 Mid-Plane Insulation

The resistance of the mid-plane electrical insulation shall be measured for compliance with the requirements stated in Section 3.1.1.3. The insulation resistance between the mid-plane poloidal break shim and winding form shall be measured. During this test, the bolts should be in their normal state (i.e., electrically "floating"). The mid-plane shim shall be connected to one side of the megger, and the casting shall be connected to the other.

4.2.3.2 Bolt Insulation

All of the bolts shall be electrically connected (jumpered) together in one group. The mid-plane casting (shim) and the winding form shall be electrically connected together in a second group. The insulation resistance between the jumpered bolts (group 1) and the jumpered winding form and mid-plane (group 2) shall be measured for compliance with the requirements stated in Section 3.1.1.3

4.2.4 Verification of Surface Finish

All machined surfaces shall be inspected for compliance with surface finish requirements specified in Section 3.1.1.4. Either a surface profilometer or comparator can be used. Location and actual results shall be reported areas that do not comply with Section 3.1.1.4.

4.2.5 Verification of Relative Magnetic Permeability

All cast surfaces, features, fasteners, and hardware shall be checked with a calibrated Severn Permeability Indicator for compliance with Sections 3.1.1.5.1 and 3.1.1.5.2. Relative magnetic

permeability that exceeds 1.02 must be documented on a nonconformance report and will require approval on a case-by-case basis. Permeability measurements shall be per Supplementary Requirements S24 of ASTM Spec. A703/A703M and S1 of ASTM A800/A800M, except that the results shall be expressed as relative permeability, μ , Mu, rather than ferrite content (FN).

4.2.5.1 Weld Repairs

Accessible weld repairs shall be checked at a minimum of 1 point per every 2 sq. in. of surface area or 3 points per repair, whichever is smaller.

4.2.5.2 Cast Surfaces

Relative magnetic permeability measurements shall be made on all surfaces of the final casting at locations approximately 6 inches apart (to approximate a 6 inch x 6 inch grid).

4.2.5.3 Machined Surfaces

To verify that cold work due to machining did not result in unacceptable levels of magnetic permeability, spot checks shall be performed along the “T” at locations in alignment with every 5th hole along the top of the “T”. At each location, 6 spots (3 on each side - 2 on the vertical web and 1 on the base) along the machined “T” shall be checked.

4.2.5.4 Fasteners and Hardware

Fasteners and hardware shall be inspected at a minimum of 3 points per item.

4.2.6 Verification of Dimensions and Tolerances

All cast surfaces, machined surfaces and features such as holes, ports, supports, etc. shall be dimensionally checked to assure compliance with Section 3.2.2. Cast surfaces of MCWF’s shall be checked at 50 locations on the outer cast surfaces and 50 locations on the inner cast surfaces of the shell at locations roughly equally spaced to permit the generation of an “as built” model. Machined surfaces of the MCWF’s shall be checked as detailed in the text files listed in (Section 7.3 of this document).

For all castings, the location of every other tapped hole in the “T” shall be verified by CMM. The thread and cleanliness of every hole shall also be verified.

The adequacy of the ground clear space dimension at the base of the T shall be verified using the pattern shown in Figure 7-5 of Appendix B (Section 7.2).

Tight fit up of the bushings around as much of the perimeter as possible and between the poloidal break flange elements is important for structural integrity, Poloidal break bushings shall be checked to assure that clearances between the bushing and flange are < 0.002”. The planar fit-up of the poloidal flange elements shall be checked to assure that cumulative through gaps are

< 0.005". Gaps at any location of the poloidal break perimeter may be up to 0.015", but shall extend in from the edge no more than 1/8".

4.2.7 Inspection for External Defects

4.2.7.1 Visual Inspection

All of the casting features shall be inspected to assure compliance with Section 3.1.1.6.1 (Visual Inspection).

4.2.7.2 Liquid Penetrant Inspections.

4.2.7.2.1 General Liquid Penetrant Inspection

All surfaces of the casting shall be liquid penetrant inspected to assure compliance with Section 3.1.1.6.2 (Liquid Penetrant Examination of Casting) (ASTM A903 Level II). Certified test reports shall be per ASTM A903, Supplementary Requirement S1. Surfaces shall be prepared by abrasive blast per standard foundry procedures.

4.2.7.2.2 Post Machining Liquid Penetrant Inspection

All machined surfaces shall be liquid Penetrant inspected to assure to assure compliance with Section 3.1.1.6.2 (Liquid Penetrant Examination of Casting) (ASTM A903 Level I). Certified test reports shall be per ASTM A903, Supplementary Requirement S1.

4.2.8 Inspection for Internal Defects

Each casting shall be examined for internal defects as defined in ASTM Spec. A703/A703M using radiographic inspection per Supplementary Requirement S5. Penetrameters shall be used to demonstrate a sensitivity of at least 2% of the thickness being measured. Acceptance criteria shall be as defined in Section 3.1.1.7 (Radiographic Inspection) and Section 3.1.1.8 (High Stress Areas).

5 PREPARATION FOR DELIVERY

5.1 MARKING

Each winding form shall have the supplier's name, a serial number (drawing number and a unique identifier), and the part weight engraved or stamped with characters ¼ inches high. The marking shall be located as shown in the part drawing.

5.2 CLEANING

The winding forms shall be degreased/cleaned using a solvent which must be able to dissolve grease, oils and other soils, and leave the casting residue free. No chips, burrs, oil, etc. shall remain in any of the tapped holes.

5.3 CRATING

The crate shall protect the winding form from shock and weather conditions, including precipitation. The crate shall be built for moving on rollers, handling with slings from overhead cranes, and transport by forklifts. The part shall be totally wrapped with a plastic protective film.

5.4 SHIPPING

Supplier is responsible for arranging shipment, and for the safe arrival of each winding form at PPPL in Princeton, New Jersey, USA. Subcontractor's name, shipper, purchase order number, contents and gross weight shall be marked on the shipping container.

6 TABLES OF APPROVED MODELS/DRAWINGS AND DEVIATIONS

6.1 TABLES OF MODELS AND DRAWINGS

Table 6-1 provides the complete listing of zip files which includes all the approved drawings, ProE models, and STEP files. They can be found on the Supplier FTP site at:

ftp://ftp.pppl.gov/pub/ncsx/manuf/production_winding_form

Table 6-1 Production Modular Coil Winding Form Models and Drawings

ZIP File	Model Description (from Pro/Intralink database, edited)
production_mcowf_step_r9.zip	ZIP file containing all STEP files for the winding forms.
production_mcowf_pdf_r14.zip	ZIP file containing all PDF drawing files.

Note: Filename indicates revision of Zip File only. ProE models are available upon request. Revision numbers of drawings/files within the Zip File are indicated by the individual filename of each drawing/file. The Read Me file on the Supplier FTP will specify each current revision of the STEP files.

Table 6-2 List of Drawings

DRAWING NO.	REV	REL DATE	MODEL NO.	DESCRIPTION
SE141-101	3	2/2/06	SE141-101	MOD COIL WINDING FORM ASM TYPE-A
SE141-102	3	2/2/06	SE141-102	MOD COIL WINDING FORM ASM TYPE-B
SE141-103	3	11/18/05	SE141-103	MOD COIL WINDING FORM ASM TYPE-C
SE141-048	3	6/21/06	SE141-048	POL BREAK SHIM ASM TYPE-A
SE141-058	3	6/21/06	SE141-058	POL BREAK SHIM ASM TYPE-B
SE141-078	2A	4/19/06	SE141-078	POL BREAK SHIM ASM TYPE-C
DS141-036	2	11/18/05	SE141-036	STUD, 1.375-6UNC-2A X 9.5 LG
DS141-038	0	7/20/04	SE141-038	INSULATING WASHER - OBSOLETE
DS141-060	1	11/18/05	SE141-060	NUT, 12PT HEX 1.375-6UNC-2B
DS141-079	Deleted	N/A	SE141-079	WASHER, 2.75 OD X 1.66 ID X 0.5 THK
SE141-114	8	8/21/06	SE141-114	PRODUCTION WINDING FORM TYPE-A
SE141-115	9	9/1/06	SE141-115	PRODUCTION WINDING FORM TYPE-B
SE141-116	8	2/2/06	SE141-116	PRODUCTION WINDING FORM TYPE-C
SE141-137	2A	4/28/06	SE141-137	MCWF POL BREAK BEARING PLATE TYPE-C
SE141-138	2A	4/28/06	SE141-138	MCWF POL BREAK BEARING PLATE TYPE-C
SE141-139	1	4/4/06	SE141-139	MCWF POL BREAK BEARING PLATE TYPE-B
SE141-140	1	4/4/06	SE141-140	MCWF POL BREAK BEARING PLATE TYPE-B
SE141-141	1	4/4/06	SE141-141	MCWF POL BREAK BEARING PLATE TYPE-A
SE141-142	1	4/4/06	SE141-142	MCWF POL BREAK BEARING PLATE TYPE-A

6.2 TABLE OF APPROVED DEVIATIONS

Table 6-3 Approved Deviations

Deviation Number	Description	Date Approved	Impacted Documents
NCSX-RFD-14-001	RFD-14-001, Revised Location of Part Number in MCWF Casting	3/30/2005	Drawing SE-141-114 shows the reference location of the pattern/casting identification number for Type A coils. No change in that drawing is planned, at least not until all of the Type A coils are fabricated.
NCSX-RFD-14-002	RFD-14-002, Change in dimensional inspection for C1 casting.	4/15/2005	Deleted MIT/QA Plan second dimensional inspection – deemed redundant.
NCSX-RFD-14-003	RFD-14-003, Relaxation of material testing requirements	6/8/2005	Deleted requirement in CSPEC to test material in the transverse and longitudinal direction.
NCSX-RFD-14-005	RFD-14-005, For C1 only -Waiver of Post Machining Inspection for Internal Defects in High Stress Area & Radiography on Weld Repair	9/15/2005	Approved for C1 Casting Only.
NCSX-RFD-14-006	RFD-14-006, Deletion of Erroneous Requirement in Section 3.1.1.6.1 of the Modular Coil CSPEC (NCSX-CSPEC-141-03)	9/15/2005	Approved. Revision 10 to CSPEC incorporated this change.
NCSX-RFD-14-008	RFD-14-008, C1 Casting - Add Additional G11CR Shim Pieces for the Poloidal Break	9/22/2005	Approved for C1 Only. Revision 10 to CSPEC incorporated this change for rest of castings.
NCSX-RFD-14-009R1	RFD-14-009R1, Proposed Drawing Changes Resulting from Inspection of C1 Casting at PPPL	10/24/2005	Approved. Revision 10 to CSPEC incorporated this change.
NCSX-RFD-14-010	RFD-14-010, Material Change for Terminal Lugs for MCWF	12/14/2005	Approved. Drawings updated to reflect this change.
NCSX-RFD-14-011	RFD-14-011, Change in Magnetic Permeability for MCWF Type C Bearing Plate	12/20/2005	Approved. Only applicable to Type C Bearing Plates – will evaluate deviation requests on a case-by-case basis
NCSX-RFD-14-012	RFD-14-012 Relaxation of Tolerances on SE141-116	1/17/2006	Approved. Only applicable to remaining Type C castings. Drawings for Type A and Type B will be modified accordingly.
NCSX-RFD-14-013R1	RFD-14-013 Change to Type C-4 Through C-6 Flange Seats from a Spherical Seat to a Conical Seat	28/17/2006	Approved. Only applicable to remaining Type C castings (C-4 through C-6). Drawings for Type A and Type B will be modified accordingly.
NCSX-RFD-14-014	Machine Port Openings at a Common Angle	2/21/2006	Approved. Permitted port openings to be machined at a common angle to reduce set-up times.

NCSX-RFD-14-015	MCWF Type C Port Openings	3/21/2006	Approved. In order to reduce set-up times, remainder of C Castings could permit the port openings to be machined at a common angle.
NCSX-RFD-14-016	Bearing Plate Material Change	3/31/2006	Approved. To improve permeability, changed bearing plate material from 316 Stainless Steel to Stelalloy for castings C4 through C6, all A castings (A1-A6), and all B castings (B1-B6).
NCSX-RFD-14-017	Thermocouple Hole Location/Shape Changes	4/3/2006	Approved. Changed configuration of the thermocouple at TC2.
NCSX-RFD-14-018R2	Type A2-A6 MCWF Flange Hole Modifications	5/24/2006	Approved. Due to interferences, a number of clearance holes were changed to tapped holes.
NCSX-RFD-14-019	Adding Lifting Holes in Poloidal Break Shims	4/13/2006	Approved. Revise identified drawings to provide lifting holes in Poloidal Break Shims.
NCSX-RFD-14-020	Type A1 MCWF Flange Hole Modifications	5/22/2006	Approved. This interference condition will be accepted "as is" for these locations on the A1 MCWF.
NCSX-RFD-14-021	Substitution of Chiller Plate Material	5/16/2006	Approved. Substitution of UNS C11000 ETP copper in a dead soft temper in lieu of UNS alloy C10100 or C10200 copper.
NCSX-RFD-14-022	Reorientation of Type B MCWF's Lead Slots	5/24/2006	Approved. This change improves lead block positioning.

7 APPENDICES

7.1 Appendix A: Identification Of High Stress Regions For Production MCWF

Figure 7-1, Figure 7-2 , Figure 7-3, and Figure 7-4 of this appendix identify the high stress areas and show a numbering scheme for the 3/8-16UNC tapped holes in the tee. Per the proposal of Major Tool, every tenth hole shall be identified by etching. The high stress region shall be identified as the web of the "tee" cross-section.

FOR h

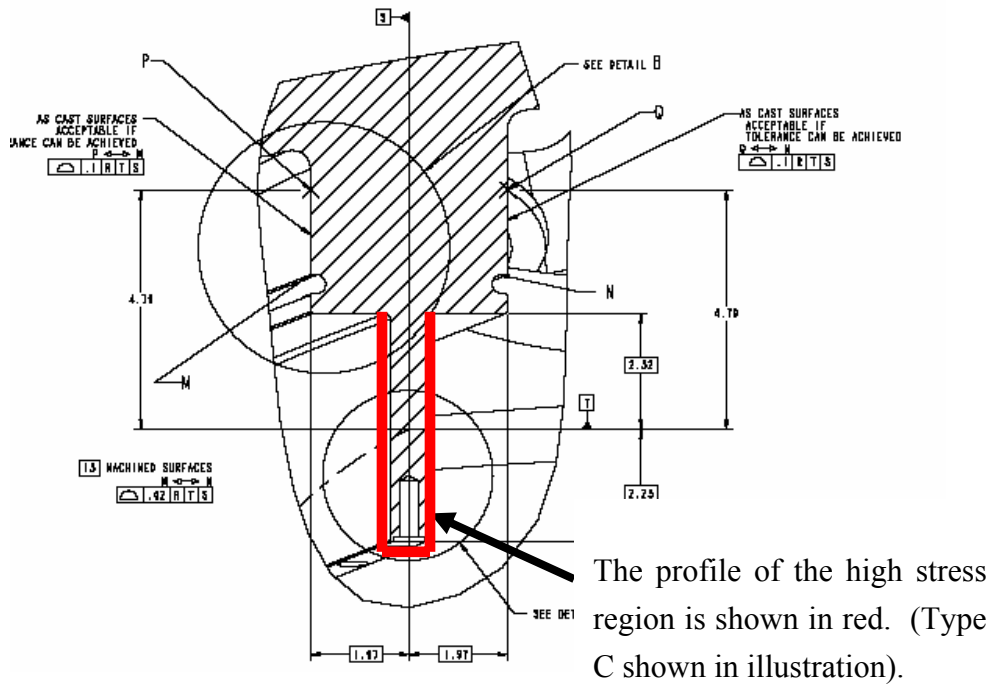


Figure 7-1 – Identification of High Stress Zones

The figures also show approximate dimensions, including ½-in. stock material allowance, from the flat surfaces of the casting to the start and end locations. These dimensions shall be used to identify the high stress regions prior to machining. Figure 7-2 (Type C), Figure 7-3 (Type B), and Figure 7-4 (Type A) depict the high stress region identification for each type casting.

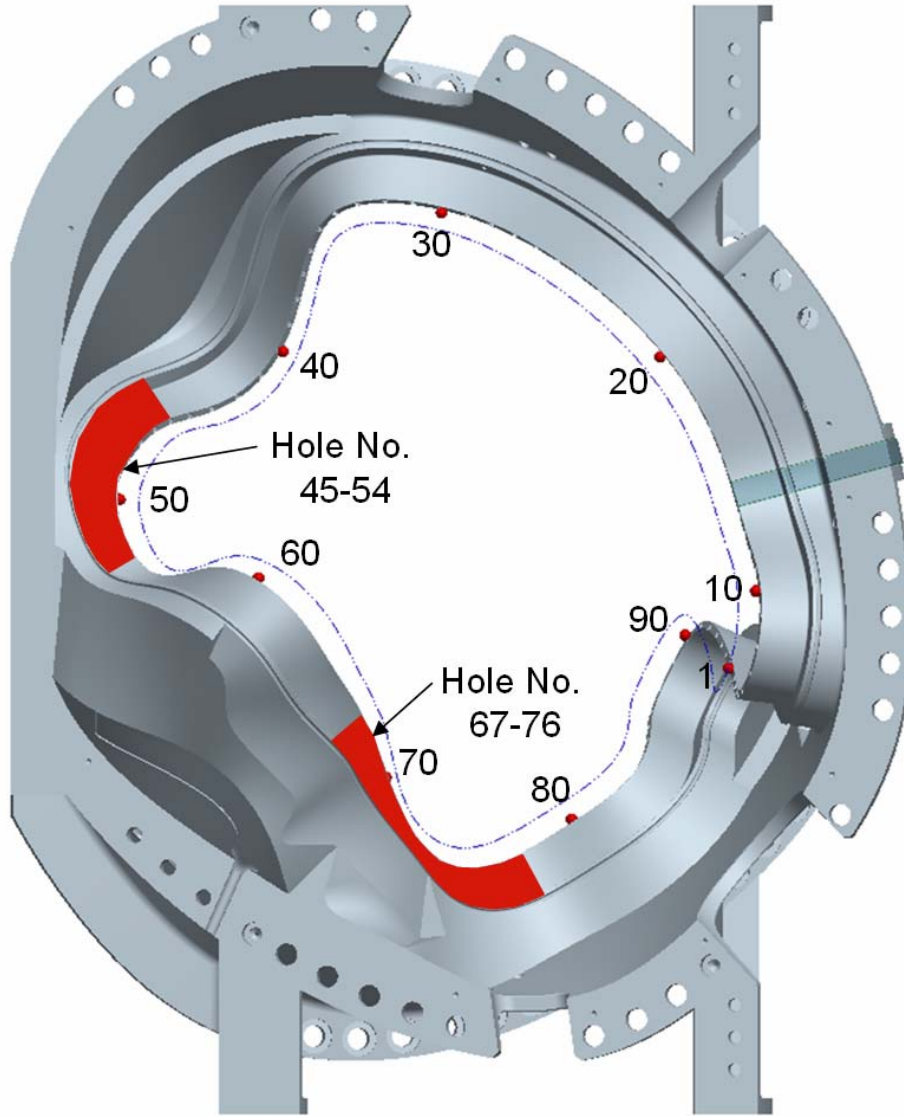


Figure 7-2 – High Stress Region Identification for Type-C MCWF

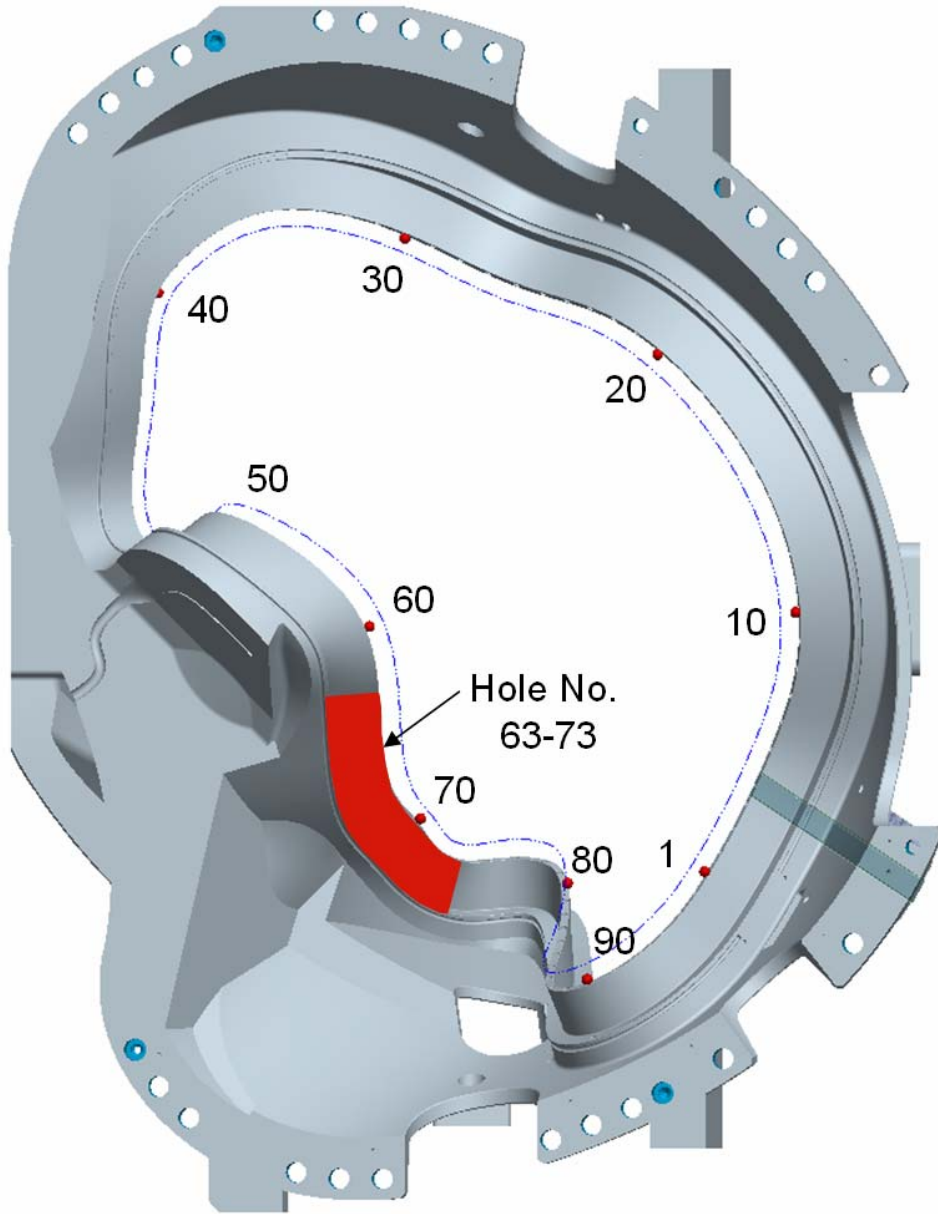


Figure 7-3 – High Stress Region Identification for Type-B MCWF

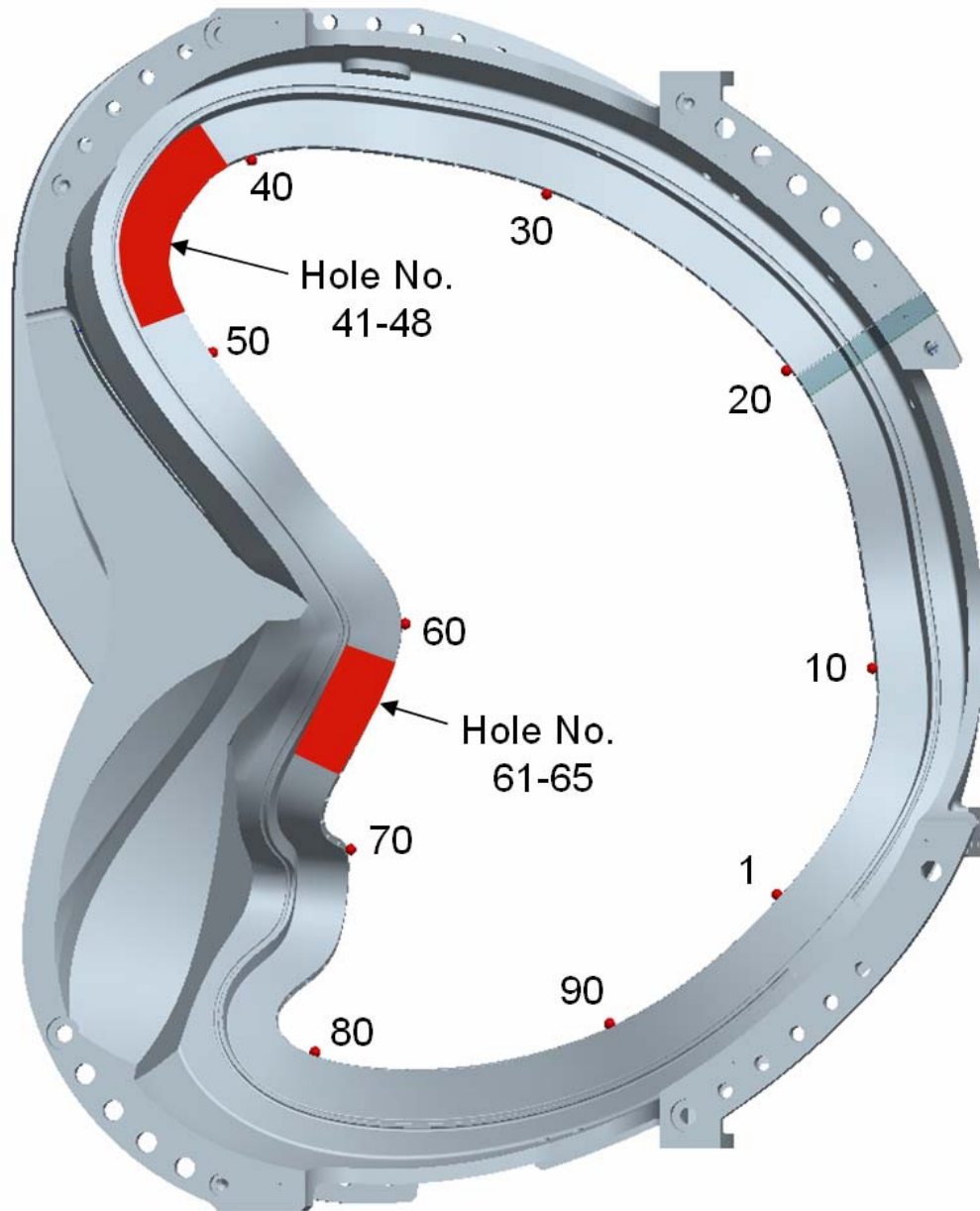


Figure 7-4 High Stress Region Identification for Type-A MCWF

7.2 Appendix B: Verification of The Ground Clear Space Dimension

Figure 7-5 below shows the revised T-Base Grinding Template to be used for verifying the ground clear space dimension of the Type A and Type B winding forms. The template shall be used along the entire length of the T.

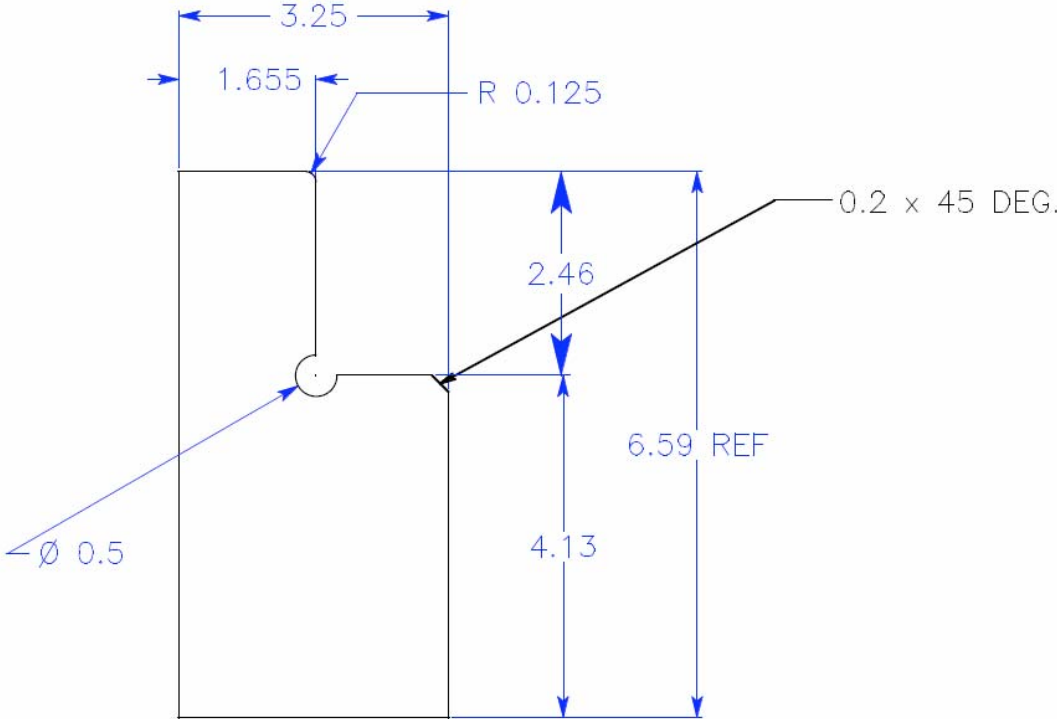


Figure 7-5 T-Base Grinding Template

7.3 Appendix C: Inspection Points

Figure 7-6 and Table 7-1 which follow provide the inspection point details.

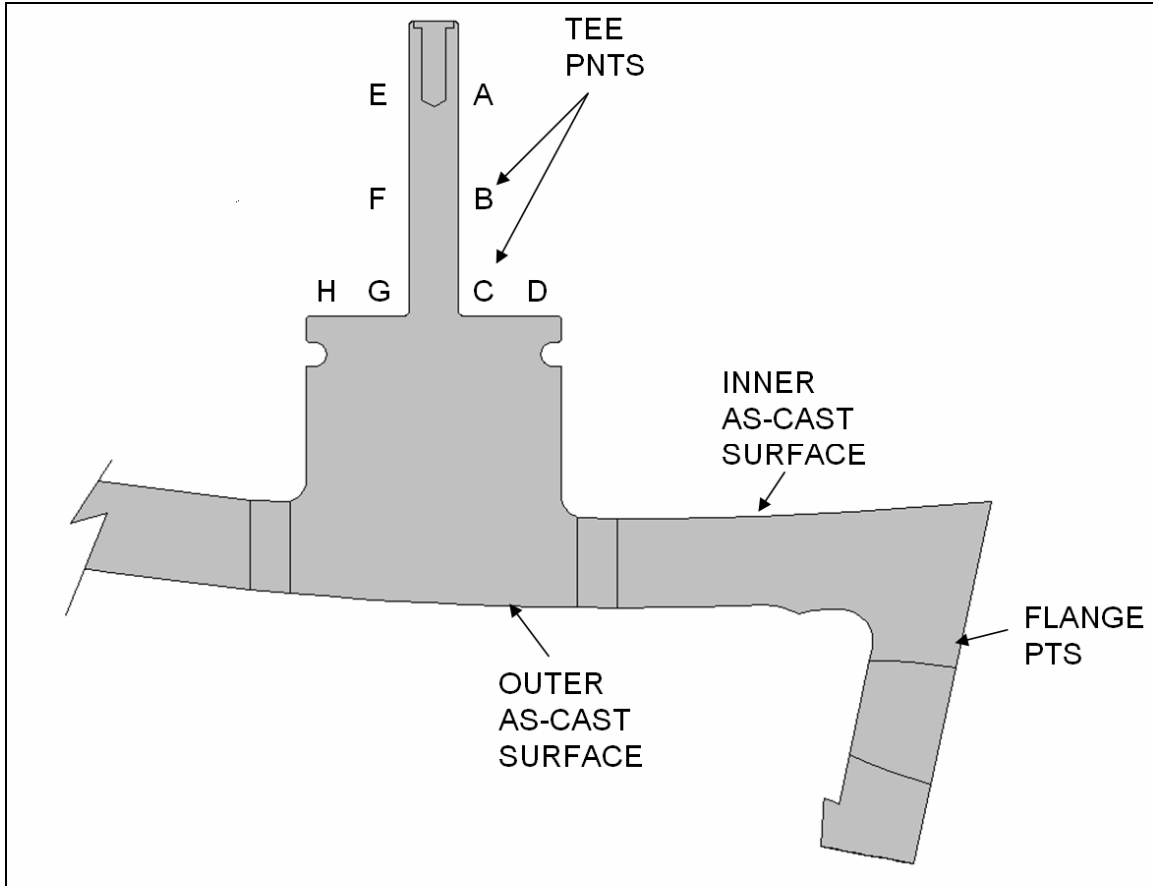


Figure 7-6 Inspection Points Nomenclature

Table 7-1 List of Inspection Point Files

No.	File	Revision	Issue Date	Description
1	type_a_datum_d_flange.txt	0	03/27/06	Type-A, Datum-D Flange
2	type_a_datum_d_pocket.txt	0	03/27/06	Type-A, Datum-D Pocket
3	type_a_datum_d_wing.txt	0	03/27/06	Type-A, Datum-D Wing
4	type_a_datum_e_flange.txt	0	03/27/06	Type-A, Datum-E Flange
5	type_a_datum_e_pocket.txt	0	03/27/06	Type-A, Datum-E Pocket
6	type_a_datum_e_pocket2.txt	0	08/23/06	Type-A, Datum-E Pocket
7	type_a_datum_e_wing1.txt	0	03/27/06	Type-A, Datum-E Wing
8	type_a_datum_e_wing2.txt	0	03/27/06	Type-A, Datum-E Wing
9	type_a_inner_surf.txt	0	03/27/06	Type-A, Inner As-Cast Surface
10	type_a_outer_surf.txt	0	03/27/06	Type-A, Outer As-Cast Surface
11	type_a_tee_ab.txt	0	03/27/06	Type-A, Tee Profile, NN1 Long
12	type_a_tee_cd.txt	0	03/27/06	Type-A, Tee Profile, NN1 Short
13	type_a_tee_ef.txt	0	03/27/06	Type-A, Tee Profile, MM1 Long
14	type_a_tee_end_pnts.txt	0	05/16/06	Type-A, Tee Profile, N1M1
15	type_a_tee_gh.txt	0	03/27/06	Type-A, Tee Profile, MM1 Short
16	type_a_tee_mp.txt	0	06/12/06	Type-A, Tee Profile, MP
17	type_a_tee_nq.txt	0	06/12/06	Type-A, Tee Profile, NQ
18	type_b_datum_d_flange.txt	0	07/28/06	Type-B, Datum-D Flange
19	type_b_datum_d_pocket.txt	0	07/28/06	Type-B, Datum-D Pocket
20	type_b_datum_d_pocket2.txt	0	09/05/06	Type-B, Datum-D Pocket
21	type_b_datum_d_wing.txt	0	07/28/06	Type-B, Datum-D Wing
22	type_b_datum_e_flange.txt	0	07/28/06	Type-B, Datum-E Flange
23	type_b_datum_e_pocket.txt	0	07/28/06	Type-B, Datum-E Pocket
24	type_b_datum_e_wing.txt	0	07/28/06	Type-B, Datum-E Wing
25	type_b_inner_surf.txt	0	07/28/06	Type-B, Inner As-Cast Surface
26	type_b_outer_surf.txt	0	07/28/06	Type-B, Outer As-Cast Surface
27	type_b_tee_end_pnts.txt	0	07/28/06	Type-B, Tee Profile, N1M1
28	type_b_tee_mm1_long.txt	0	07/28/06	Type-B, Tee Profile, MM1 Long
29	type_b_tee_mm1_short.txt	0	07/28/06	Type-B, Tee Profile, MM1 Short
30	type_b_tee_mp.txt	0	07/28/06	Type-B, Tee Profile, MP
31	type_b_tee_nn1_long.txt	0	07/28/06	Type-B, Tee Profile, NN1 Long
32	type_b_tee_nn1_short.txt	0	07/28/06	Type-B, Tee Profile, NN1 Short
33	type_b_tee_nq.txt	0	07/28/06	Type-B, Tee Profile, NQ